

ELKAY® SPECIFICATIONS

No Lead Two-Level Drinking Fountain Soft Sides®, Wall Mount-Fully Exposed with Wall Plate, Barrier-Free Access Model EDFP217RAC (Reversed)

GENERAL

Two-level wall mounted drinking fountain constructed of #18 gauge, type 304, stainless steel polished to a lustrous satin finish.

Contoured basin minimizes splashing and has exclusive Flexi-Guard® safety bubbler to prevent accidental mouth injuries. Keyed in location to prevent rotation. Easy to operate, fully functional push-buttons are vandal-resistant. Vandal-resistant bottom cover plates included. Flow regulator provides constant stream from 20 to 105 psi water pressure.

THIS DRINKING FOUNTAIN COMPLIES WITH THE REQUIREMENTS OF A.D.A. (AMERICANS WITH DISABILITIES ACT) WHEN PROPERLY INSTALLED. UNIT IS COMPLIANT IF INSTALLED IN AN ALCOVE AND IS ALSO COMPLIANT WHEN MOUNTED ON AN EXPOSED WALL IF A WING WALL IS LOCATED ON THE RIGHT SIDE OR IF A 97258C APRON IS INSTALLED UNDER THE UPPER UNIT.

NO LEAD DESIGN

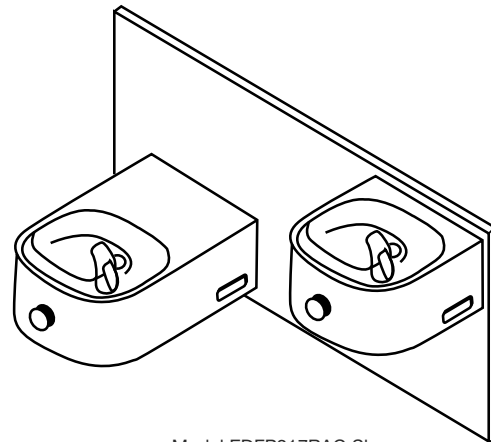
THIS DRINKING FOUNTAIN COMPLIES WITH THE LEAD-FREE DEFINITION IN THE SAFE DRINKING WATER ACT OF 1986 AND LEAD CONTAMINATION CONTROL ACT OF 1988.

Elkay Drinking Fountains are manufactured with a waterway system utilizing copper components and completely lead-free material. These waterways have no lead because all leaded materials, such as leaded brass, have been removed.

This fountain is certified by WQA to lead-free compliance including NSF/ANSI 61-ANNEX G, AB 1953.

CONSTRUCTION

EDFP217RAC furnished complete with Flexi-Guard®, fully assembled front push-buttons, flow regulator (20 to 105 psi), and drain, trap assemblies and vandal-resistant bottom cover plates.



Model EDFP217RAC Shown

ALSO AVAILABLE

Model EDFPVR217RAC: Includes vandal-resistant bubblers. Heavy-duty, one-piece construction, chrome plated brass.

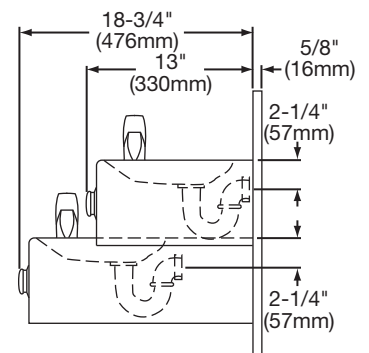
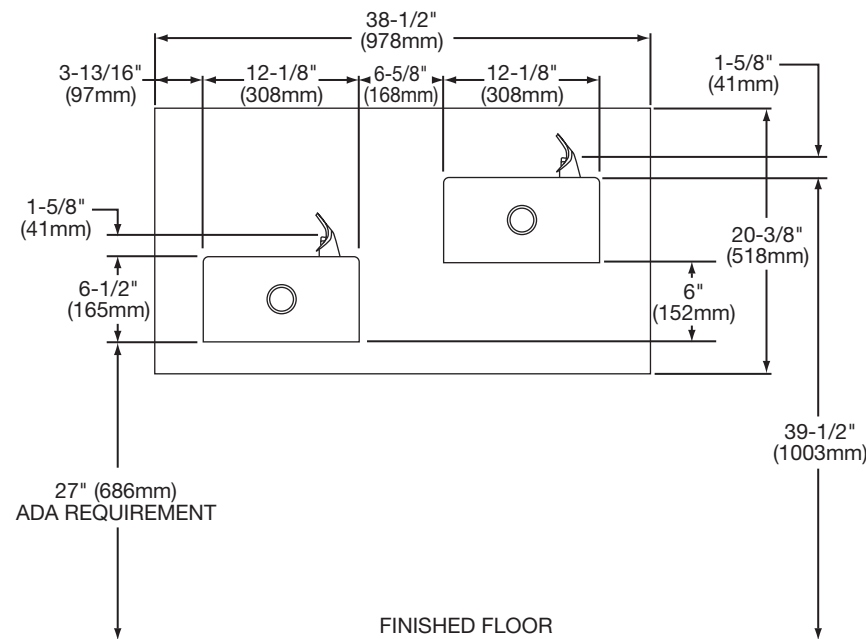
Model EDFP217FRAC: Plumbed for use with glass filler. Long fountain arm only. LK1110 or LK1114 sold separate.

ACCESSORIES

MP20RA Surface mounting plate.

MPW200 In-wall carrier mounting plate.

ML100 Support columns for MPW200.



In keeping with our policy of continuing product improvement, Elkay reserves the right to change product specifications without notice. Please visit elkayusa.com for most current version of Elkay product specification sheets.

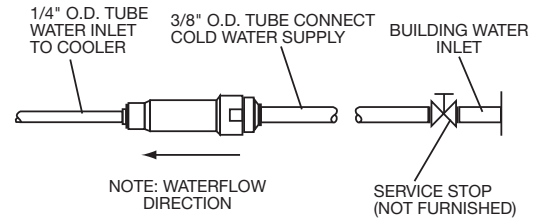
This specification describes an Elkay product with design, quality and functional benefits to the user. When making a comparison of other producers' offerings, be certain these features are not overlooked.

**No Lead Two-Level Drinking Fountain
Soft Sides®, Wall Mount-Fully Exposed
with Wall Plate, Barrier-Free Access
Model EDFP217RAC (Reversed)**

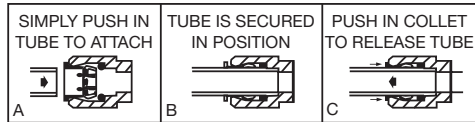
**ELKAY®
ROUGH-IN DIMENSIONS**

INSTALLER NOTE

THIS DRINKING FOUNTAIN IS FURNISHED WITH A BUBBLER AND VALVE INCLUDING ALL CONNECTING FITTINGS WHICH ARE MANUFACTURED OF COMPLETELY LEAD FREE MATERIAL. SHUT OFF VALVE (NOT FURNISHED) TO ACCEPT 3/8" O.D. UNPLATED COPPER TUBE.



OPERATION OF QUICK CONNECT FITTINGS



PUSHING TUBE IN BEFORE PULLING IT OUT HELPS TO RELEASE TUBE

NOTE: Reinforce the wall in the shaded areas to support up to 300 lbs. static load.

WALL ROUGH-IN

