

PRODUCT SPECIFICATIONS

Elkay SwirlFlo ADA Fountain with Mounting Frame Filtered Refrigerated Stainless. Sink is manufactured from Stainless Steel with a Stainless Steel finish, .

Material:	Stainless Steel
Special Features:	Filtered
Finish:	Stainless Steel
Sink Dimensions:	19-3/4" x 19" x 40-13/16"



Included with Product: Fountain, Chiller, Mounting Frame, Filter

▼ **Ships in multiple boxes.**

AMERICAN PRIDE. A LIFETIME TRADITION. Like your family, the Elkay family has values and traditions that endure. For almost a century, Elkay has been a family-owned and operated company, providing thousands of jobs that support our families and communities.



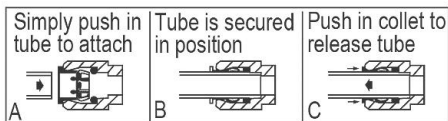
Complies with ADA & ICC A117.1 accessibility requirements when installed according to the requirements outlined in these standards.

- [Installation Instructions \(PDF\) - 100003097](#)
- [Installation Instructions \(PDF\) - 97923C](#)
- [Installation Instructions \(PDF\) - 97153C](#)
- [Warranty \(PDF\)](#)

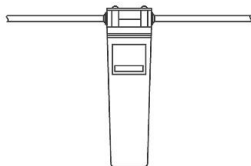
PART: _____ QTY: _____
 PROJECT: _____
 CONTACT: _____
 DATE: _____
 NOTES: _____
 APPROVAL: _____

In keeping with our policy of continuing product improvement, Elkay reserves the right to change product specifications without notice. Please visit elkay.com for the most current version of Elkay product specification sheets. This specification describes an Elkay product with design, quality, and functional benefits to the user. When making a comparison of other producers' offerings, be certain these features are not overlooked.

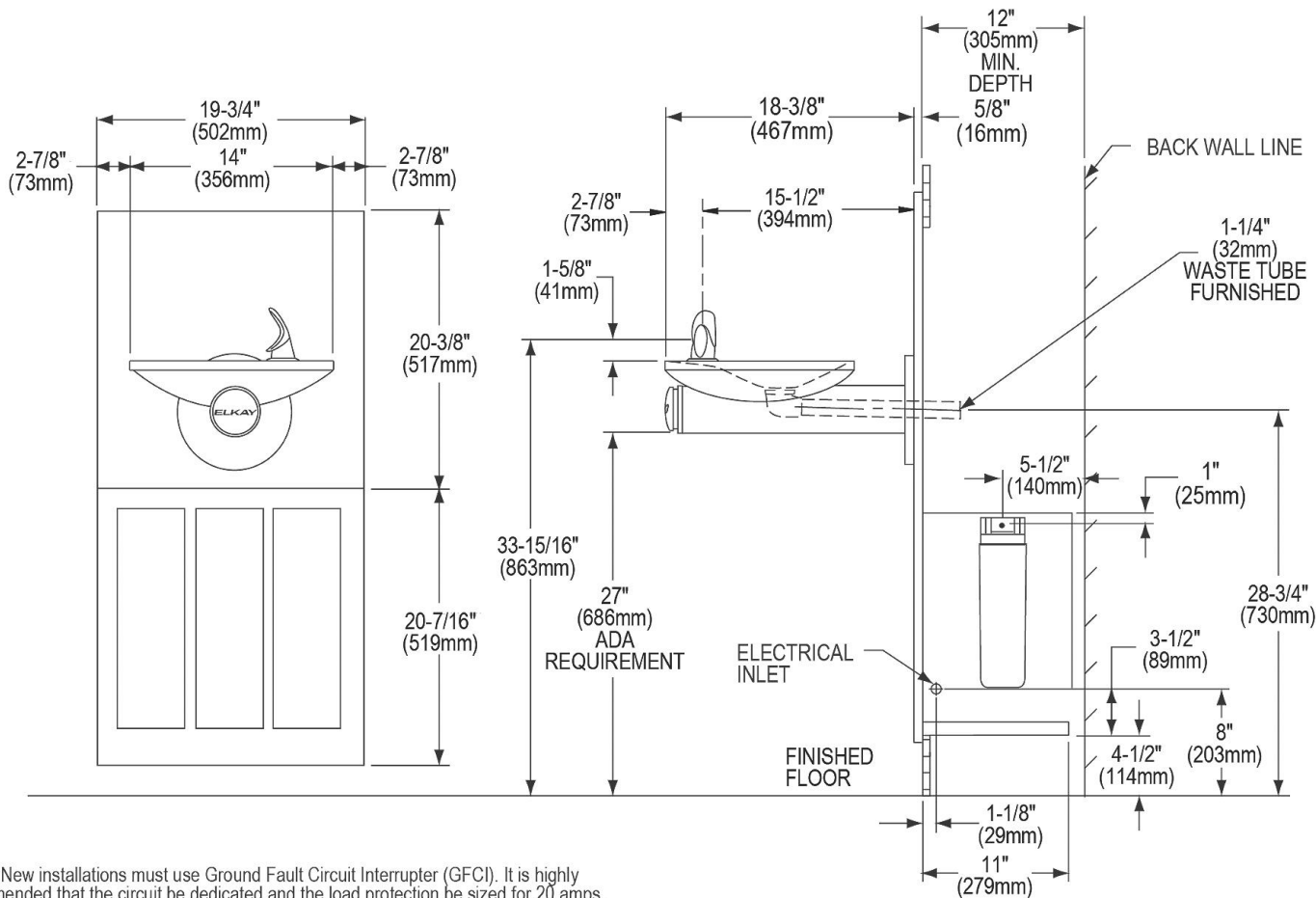
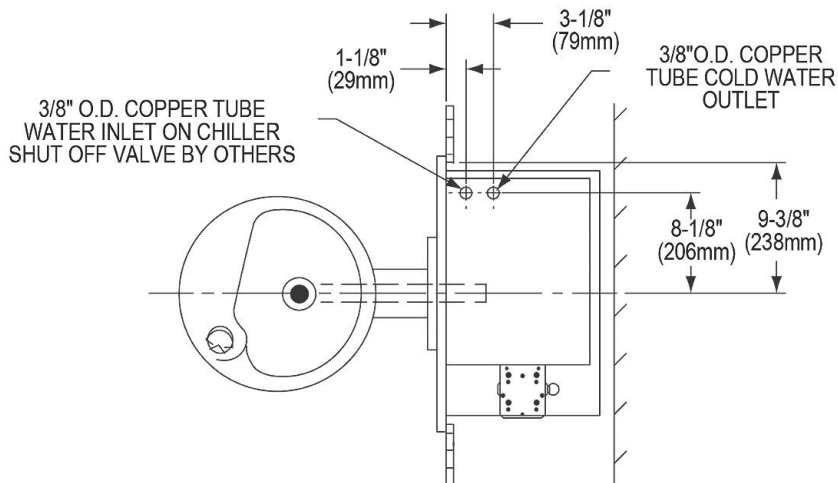
OPERATION OF QUICK CONNECT FITTINGS



Pushing tube in before pulling it out helps to release tube



WaterSentry® VII Filter System



NOTE: New installations must use Ground Fault Circuit Interrupter (GFCI). It is highly recommended that the circuit be dedicated and the load protection be sized for 20 amps.

In keeping with our policy of continuing product improvement, Elkay reserves the right to change product specifications without notice. Please visit elkay.com for the most current version of Elkay product specification sheets. This specification describes an Elkay product with design, quality, and functional benefits to the user. When making a comparison of other producers' offerings, be certain these features are not overlooked.