

**PRODUCT SPECIFICATIONS**

Elkay Commercial Service/ Utility Single Hole Wall Mount Faucet 1 pair Chrome. Faucet has a flow rate of 2.5 GPM, and is made of Chrome-plated Brass material, with a Brass Stem Assembly valve. Faucet requires 2 faucet holes.

<b>Mounting Type:</b>	Wall Mount
<b>Finish:</b>	Chrome (CR)
<b>Handle Type:</b>	Cross Handle
<b>Spout Reach:</b>	3-3/16"
<b>Spout Height:</b>	4"
<b>Hole Drillings:</b>	2
<b>Material:</b>	Chrome-plated Brass
<b>Valve Type:</b>	Brass Stem Assembly
<b>Valve Connection:</b>	1/2" NPT Female Inlet
<b>Flow Rate:</b>	2.5 GPM
<b>Spout Swing Rotation:</b>	0°
<b>Spout Type:</b>	Fixed Spout



Chrome (CR)

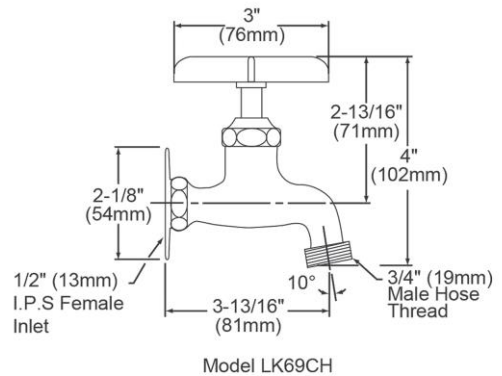
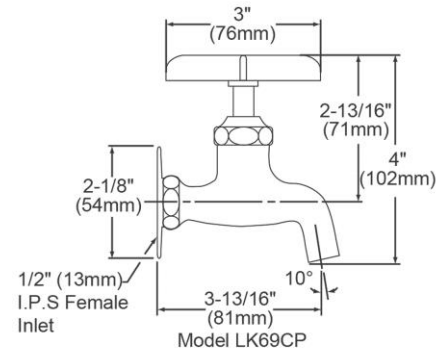


**Included with Product:** (Pair) Includes (1) LK69CP and (1) LK69CH

AMERICAN PRIDE. A LIFETIME TRADITION.  
Like your family, the Elkay family has values and traditions that endure. For almost a century, Elkay has been a family-owned and operated company, providing thousands of jobs that support our families and communities.

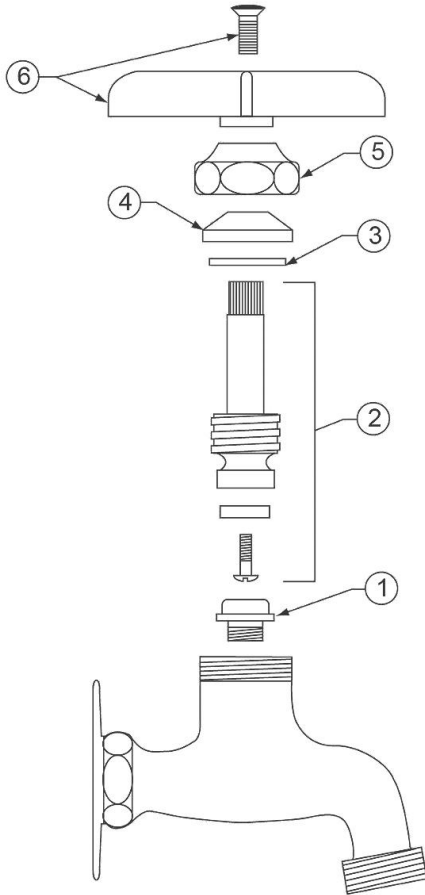
**Product Compliance:** ASME A112.18.1/CSA B125.1  
NSF 372 (lead free)  
NSF 61

[Clean and Care Manual \(PDF\)](#)  
[Warranty \(PDF\)](#)

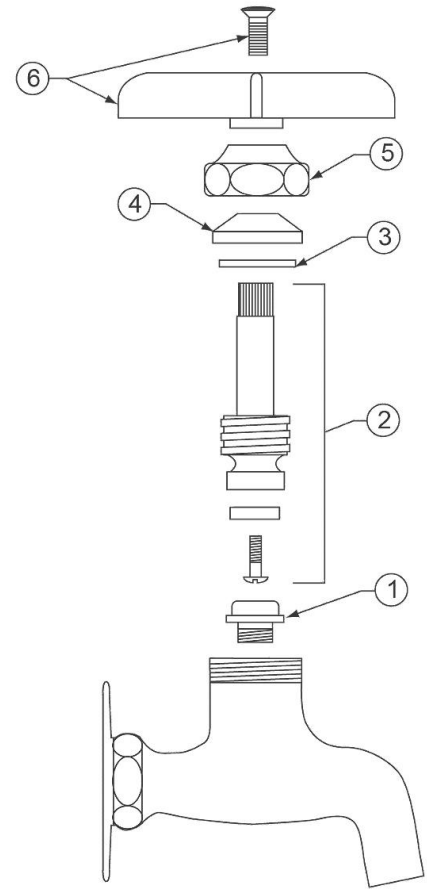


PART: \_\_\_\_\_ QTY: \_\_\_\_\_  
 PROJECT: \_\_\_\_\_  
 CONTACT: \_\_\_\_\_  
 DATE: \_\_\_\_\_  
 NOTES: \_\_\_\_\_  
 APPROVAL: \_\_\_\_\_

*In keeping with our policy of continuing product improvement, Elkay reserves the right to change product specifications without notice. Please visit [elkay.com](http://elkay.com) for the most current version of Elkay product specification sheets. This specification describes an Elkay product with design, quality, and functional benefits to the user. When making a comparison of other producers' offerings, be certain these features are not overlooked.*



LK69CH



LK69CP

Item No.	No. Required	Part No.	Description
1	1	72001862	Seat Brass
2	1	72001865	Brass Stem Assembly
3	1	72001866	Washer Brass
4	1	72001867	Packing
5	1	72001868	Cap Nut Brass
6	1	72001869	Handle Zinc with Screw

*In keeping with our policy of continuing product improvement, Elkay reserves the right to change product specifications without notice. Please visit [elkay.com](http://elkay.com) for the most current version of Elkay product specification sheets. This specification describes an Elkay product with design, quality, and functional benefits to the user. When making a comparison of other producers' offerings, be certain these features are not overlooked.*