

PRODUCT SPECIFICATIONS

Elkay Foodservice 8" Centerset Wall Mount Faucet with 8" Arc Tube Spout 6" Wristblade Handles 1/2" Offset Inlets. Faucet has a flow rate of 1.5 GPM, and is made of Chrome-plated Brass material, with a Quarter Turn Ceramic Disc valve. Faucet requires 2 faucet holes.

| | |
|----------------------------|---|
| Mounting Type: | Wall Mount |
| Special Features: | 1/2" Adjustable Inlets Low Flow Solid Brass Construction Spout Swing Restriction Pin |
| Finish: | Chrome (CR) |
| Handle Type: | 6" Wristblade Handle |
| Deck Clearance: | 4-3/16" |
| Spout Reach: | 8" |
| Spout Height: | 6-13/16" |
| Hole Drillings: | 2 |
| Material: | Chrome-plated Brass |
| Valve Type: | Quarter Turn Ceramic Disc |
| Valve Connection: | 1/2" NPT Female |
| Flow Rate: | 1.5 GPM |
| Faucet Hole Spread: | 8 |
| Spout Type: | Arc Tube |

Special Note: 1.5 GPM VR aerator installed with 2.2 and .5 GPM inserts included



Chrome (CR)



AMERICAN PRIDE. A LIFETIME TRADITION.
Like your family, the Elkay family has values and traditions that endure. For almost a century, Elkay has been a family-owned and operated company, providing thousands of jobs that support our families and communities.

Product Compliance: ADA & ICC A117.1
ASME A112.18.1/CSA B125.1
CEC
NSF 372 (lead free)
NSF 61

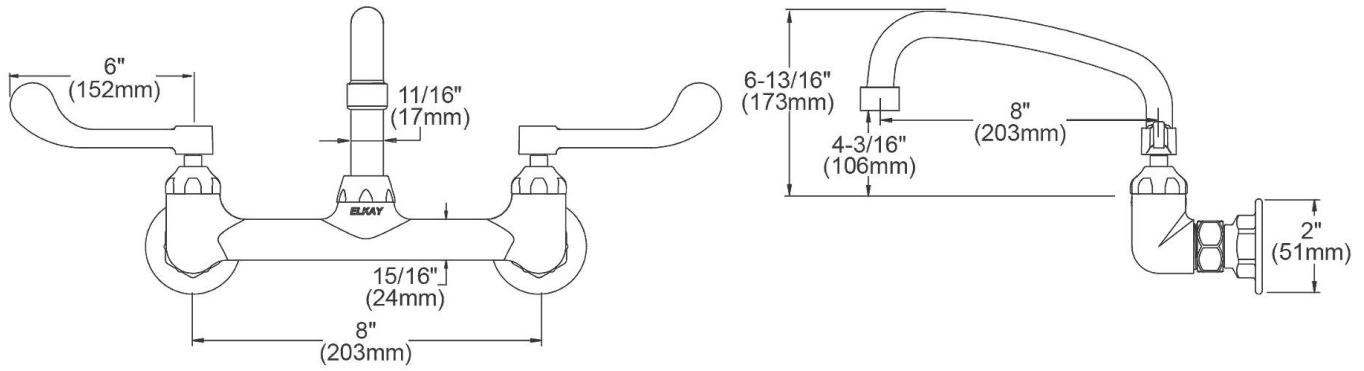


Complies with ADA & ICC A117.1 accessibility requirements when installed according to the requirements outlined in these standards.

[Clean and Care Manual \(PDF\)](#)
[Installation Instructions \(PDF\)](#)
[Warranty \(PDF\)](#)

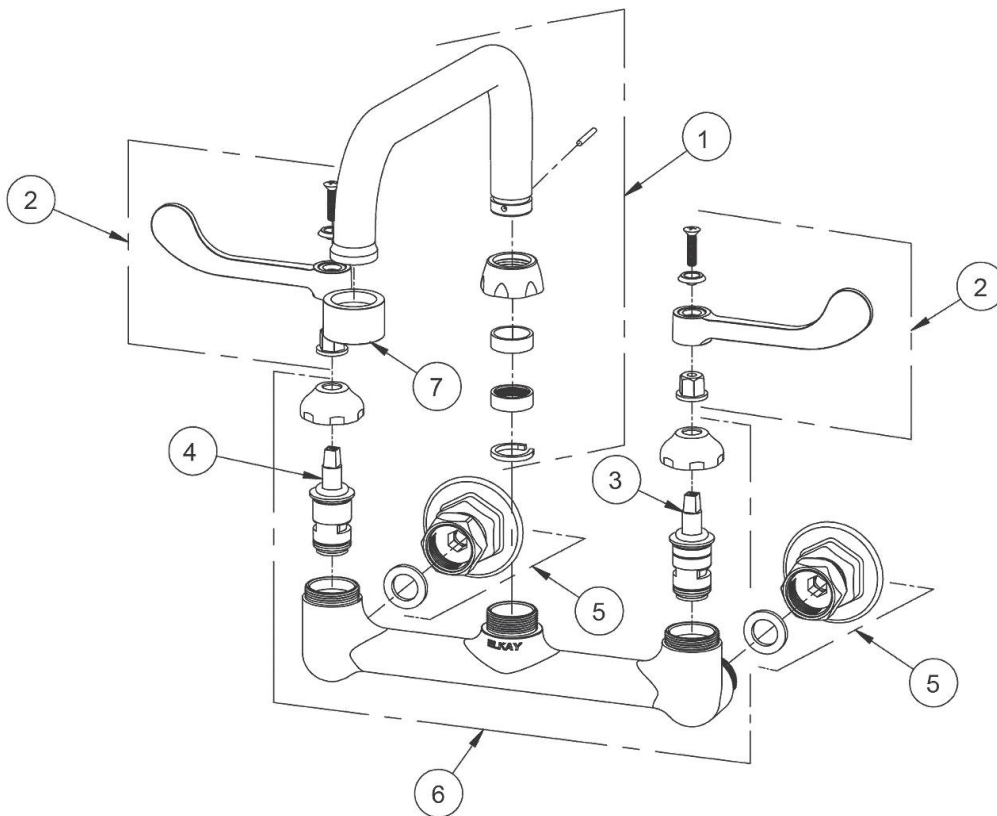
PART: _____ QTY: _____
PROJECT: _____
CONTACT: _____
DATE: _____
NOTES: _____
APPROVAL: _____

In keeping with our policy of continuing product improvement, Elkay reserves the right to change product specifications without notice. Please visit elkay.com for the most current version of Elkay product specification sheets. This specification describes an Elkay product with design, quality, and functional benefits to the user. When making a comparison of other producers' offerings, be certain these features are not overlooked.



In keeping with our policy of continuing product improvement, Elkay reserves the right to change product specifications without notice. Please visit elkay.com for the most current version of Elkay product specification sheets. This specification describes an Elkay product with design, quality, and functional benefits to the user. When making a comparison of other producers' offerings, be certain these features are not overlooked.

| ITEM | IND. PART | DESCRIPTION |
|------|-----------|-----------------------|
| 1 | A55393 | Spout |
| 2 | 45920C | Handle, 6" |
| 3 | 45923C | Right Cold Cartridge |
| 4 | 45924C | Left Hot Cartridge |
| 5 | A55413 | 1/2" Adjustable Inlet |
| 6 | 45912C | Body |
| 7 | LK734 | 2.2 GPM VR Aerator |



In keeping with our policy of continuing product improvement, Elkay reserves the right to change product specifications without notice. Please visit elkay.com for the most current version of Elkay product specification sheets. This specification describes an Elkay product with design, quality, and functional benefits to the user. When making a comparison of other producers' offerings, be certain these features are not overlooked.