

**PRODUCT SPECIFICATIONS**

Elkay Commercial Service/Utility Wall Mount Faucet with Bucket Hook Rough Chrome. Faucet has a flow rate of 4.0 GPM, and is made of Chrome-plated Brass material, with a Quarter Turn Ceramic Disc valve. Faucet requires 2 faucet holes.

<b>Mounting Type:</b>	Wall Mount
<b>Special Features:</b>	Solid Brass Construction
<b>Finish:</b>	Chrome (CR)
<b>Handle Type:</b>	2" Lever Handle
<b>Deck Clearance:</b>	1/2"
<b>Spout Reach:</b>	6-1/2"
<b>Spout Height:</b>	3-7/8"
<b>Hole Drillings:</b>	2
<b>Material:</b>	Chrome-plated Brass
<b>Valve Type:</b>	Quarter Turn Ceramic Disc
<b>Valve Connection:</b>	1/2" NPT Female Inlet
<b>Flow Rate:</b>	4.0 GPM
<b>Faucet Hole Spread:</b>	8
<b>Spout Swing Rotation:</b>	0°
<b>Spout Type:</b>	Fixed Spout



Chrome  
(CR)



AMERICAN PRIDE. A LIFETIME TRADITION.  
Like your family, the Elkay family has values and traditions that endure. For almost a century, Elkay has been a family-owned and operated company, providing thousands of jobs that support our families and communities.

**Product Compliance:** ADA & ICC A117.1  
ASME A112.18.1/CSA B125.1  
NSF 372 (lead free)

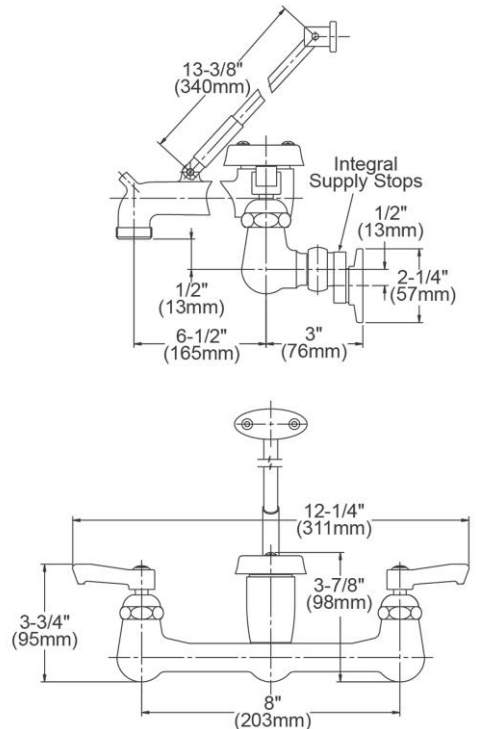


C<sup>®</sup>



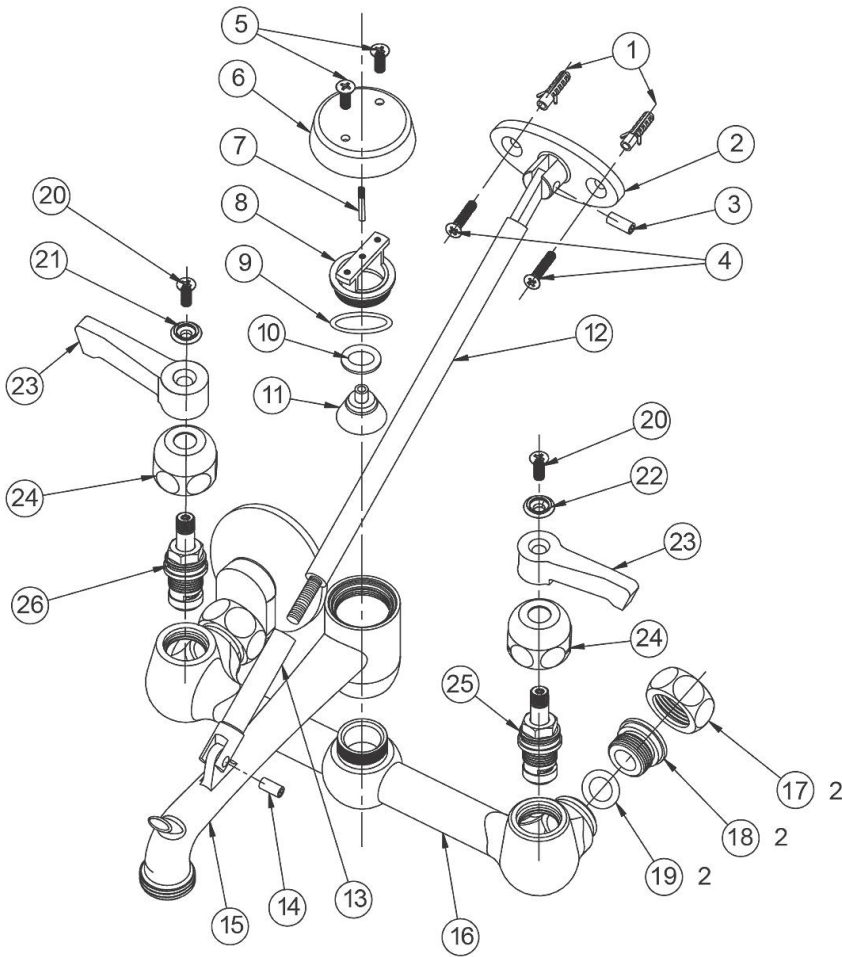
Complies with ADA & ICC A117.1 accessibility requirements when installed according to the requirements outlined in these standards.

[Clean and Care Manual \(PDF\)](#)  
[Installation Instructions \(PDF\)](#)  
[Warranty \(PDF\)](#)



PART: \_\_\_\_\_ QTY: \_\_\_\_\_  
 PROJECT: \_\_\_\_\_  
 CONTACT: \_\_\_\_\_  
 DATE: \_\_\_\_\_  
 NOTES: \_\_\_\_\_  
 APPROVAL: \_\_\_\_\_

*In keeping with our policy of continuing product improvement, Elkay reserves the right to change product specifications without notice. Please visit [elkay.com](http://elkay.com) for the most current version of Elkay product specification sheets. This specification describes an Elkay product with design, quality, and functional benefits to the user. When making a comparison of other producers' offerings, be certain these features are not overlooked.*



Item No.	Description
1	Plug
2	Brace - Stator
3	Pin - Long
4	Screw - Phil Oval HD
5	Screw - Phil Oval HD
6	Handle
7	Leader
8	Bonnet
9	"O" Ring
10	Washer
11	Seat
12	Brace
13	Adapter
14	Pin - Short
15	Spout

Item No.	Description
16	Body
17	Nut
18	Adapter
19	"O" Ring
20	Screw - Phil Oval HD
21	Ring - Red Mark
22	Ring - Blue Mark
23	Handle
24	Bonnet
25	Right Handle Cartridge Assembly - A70001
26	Left Handle Cartridge Assembly - A70002

*In keeping with our policy of continuing product improvement, Elkay reserves the right to change product specifications without notice. Please visit [elkay.com](http://elkay.com) for the most current version of Elkay product specification sheets. This specification describes an Elkay product with design, quality, and functional benefits to the user. When making a comparison of other producers' offerings, be certain these features are not overlooked.*