

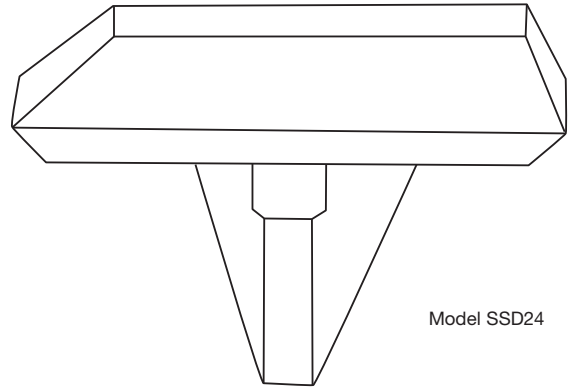
**Detachable Drainboard for Scullery Sinks
Model SSD24**



SPECIFICATIONS

GENERAL

#14 gauge, type 304 stainless steel. Specifically designed cantilever bracket support. Readily removable without tools. Reversible design, may be used on the right and/or left side of the scullery. Designed to fit the channel rim of the Sturdibilt®, the Weldbilt®, and the Rigidbilt® scullery sinks. 24" (610mm) long x 24" (610mm) wide with 2" (51mm) high rim and 1" (25mm) closed hem on outside on three sides. Ship. Wt. 30 lbs.



Model SSD24

