

FEATURES & BENEFITS

CONSTRUCTION

Stainless steel constructed tank makes for a solid portable unit with added resistance against corrosion and breakage.

FLOW CONTROLS

Green ABS plastic Soft-Flo anti-surge heads head equipped with portable unit distributes water at .25 gpm (.9 L) when pressure is between 30 and 90 psi (2.1 and 6.2 bar) to provide a thorough irrigation process.

VALVES

Eyewash valve comes equipped with stainless steel ball and stem for added protection against corrosion and breakage. Unit also comes with a chrome-plated brass squeeze valve supplied with a 6.25 gpm (23.7 L) flow control.

ADDED PROTECTION

Green polyethylene plastic dust covers that release with water pressure keep the unit protected from debris up until the last second before use further optimizing operation. The 6' hose extends the portable units reach and is pressure rated at 250 psi (17.2 bar) making for a better piece of emergency equipment.

SAFETY

Air pressure gauge, pressure relief valve, and tire-type air fill valve decrease the possibility of mishaps and make for a safer piece of emergency equipment.



SPECIFICATIONS

Model 7601.10.2 portable air pressure operated eyewash with body spray shall include a stainless steel 13 gallon (49.2 L) ASME 165 (11.4 bar) psi rated tank, ABS plastic anti-surge eyewash heads with integral flow controls and dust covers, chrome-plated brass ball valve equipped with stainless steel ball and stem, 160 psi (11 bar) air pressure gauge, 110 psi (7.6 bar) air pressure relief valve, and tire-type air fill valve. Unit shall also include squeeze-valve operated body spray with green ABS plastic spray head, and label-mounted operating instructions. Additive not included - Order separately.

OPTIONS

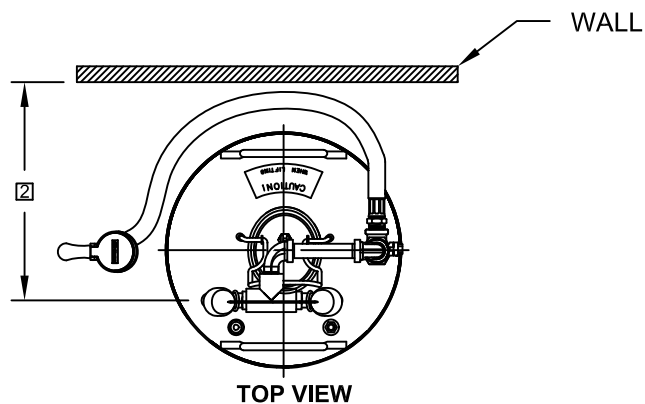
- Bacteriostatic Additive: Model 9082, 'sterile' bacteriostatic preservative for use in portable eyewash stations. One 5 oz. (148 ml) bottle will preserve 5 to 20 gallons (18.9 to 75.7 L) of portable water for up to three months. Four bottles per carton.
- Cart: Model 9008 cart designed to transport all stainless steel portable eyewashes.

To see all options for this model, visit www.hawasco.com

APPLICATIONS

Where the eyes of any person may be exposed to injurious or corrosive materials, when suitable facilities for quick flushing of the eyes needs to be provided and a continuous supply of water is not available. Although the 7601.10.2 may be used in a wide variety of locations, it is ideal for the remote and low traffic areas where protective and mobile measures may still be needed. Emergency eyewash facilities shall be in unobstructed and accessible locations that require no more than 10 seconds for the injured person to reach.

Model 7601.10.2 is certified by CSA to meet the ANSI Z358.1 Standard for Emergency Eyewash and Shower Equipment.



NOTES:

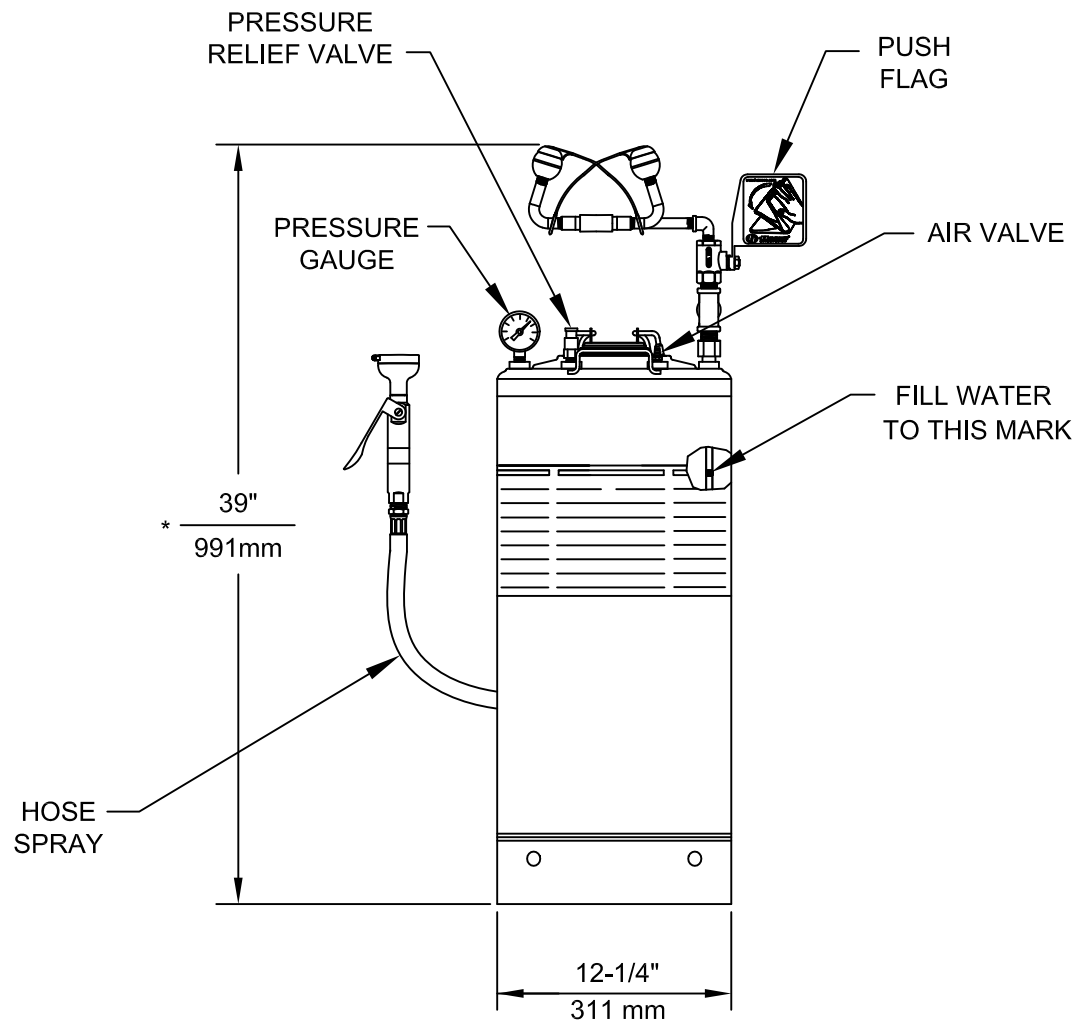
1. TO COMPLY WITH ANSI Z358.1-2009 FOR EMERGENCY EYEWASH:

UNIT SHALL BE INSTALLED IN ACCORDANCE WITH MANUFACTURER'S INSTRUCTIONS AND ACCEPTABLE PLUMBING PRACTICES.

EYEWASH SHALL BE POSITIONED WITH NOZZLES NOT LESS THAN 83.8 CM (33 IN.) AND NO GREATER THAN 114.3 CM (45 IN.) FROM SURFACE ON WHICH USER STANDS AND 15.3 CM (6 IN.) MINIMUM FROM WALL OR NEAREST OBSTRUCTION.

2 EYEWASH HEAD ASSEMBLY MUST BE PARALLEL TO WALL OR OBSTRUCTION TO MEET CRITERIA STATED IN ACCORDANCE TO NOTE 1.

* 3. DIMENSIONS MAY VARY $\pm 1/2"$ [12.7mm].



		1455 KLEPPE LANE SPARKS, NEVADA 89431 (775) 359-4712 FAX (755) 359-7424 E-MAIL: HAWS@HAWS.CO.COM WEBSITE: WWW.HAWS.CO.COM	
		ECN NO. REVISED PER BY: ECN: 4709 HM MODEL(S) 7601.10.2 10 GAL EYEWASH PART NUMBER 0002080060.D	DRAWN: EV DATE: 11/96 CHK'D: APPROVED: DATE:
SCALE: 1:8 DRAWING TYPE: INSTALLATION SHEET 1 OF 1		SIZE: A	