



Haws®

model 8760

ePOD™ Skid-Mounted Emergency Tempered Shower and Eye/Face Wash System

FEATURES & BENEFITS

STANDARDIZED PLATFORM

Offering a standardized line of water tempering solutions providing shorter lead times, advanced compliance, cost efficiencies, and customizable configuration options.

VISUAL PLACEMENT

High visibility safety green powder coating and optional internal and/or external booth illumination package announces to all in the immediate area there is safety equipment nearby.

ALARM SYSTEM

Available audible and visible alarms controlled by a flow switch for immediate attention to an emergency.

BLENDING SYSTEM

Safe, fully engineered thermostatic mixing valve for mixing large volumes of hot and cold water guarded with anti-scald protection and full flow cold water bypass to provide tempered water in adverse situations.

TANK SYSTEM OPTIONS

Tanks available: 119 Gal non-ASME (450 L), 120 Gal (454 L) ASME, or 200 Gal (757 L) ASME that will store enough hot water to provide a single 15 minute shower and eye/face wash use. Also available in ASME is a 318 Gal (1203 L) or 400 Gal (1514 L) that stores enough hot water to provide two 15 minute shower and eye/face wash uses before tank recovery is required.

MONITORING

Advanced Programmable Monitoring Control System provides real-time digital display with alarm cycle history and fault history. Capabilities include automatic alarm silencing reset, customer control room synchronization, and more.

CONSTRUCTION

Galvanized pipe, bronze valves, and aluminum structural members provide superior defense in a highly corrosive environment, and bottom forklift slots for easy site placement.

ELECTRICAL SYSTEM OPTIONS

Haws provides systems at various voltage options, including 480V 3ph, 600V 3ph, 208V 1ph, 208V 3ph, 240V 1ph, and 240V 3ph. Electrical area rating options include Ordinary Location and Hazardous Location up to CL1 DIV 2 B, C, D T3

AXION TECHNOLOGY

AXION® MSR eye/face wash head uses an inverted directional laminar flow to sweep contaminants away from the vulnerable nasal cavity, and hydrodynamic shower head design for even flow throughout the flow pattern.



SPECIFICATIONS

Model 8760 ePOD™ shower and eye/face wash shall include an aluminum channel 5'x5' (1.5 x 1.5m) frame with a composite equipment platform, with safety green chemical and UV resistant polyester based powder coating. There is a 20 gpm (75.7 L) AXION showerhead, an eyewash that features the medically acclaimed AXION® MSR eye/face wash head assembly. This single shower and eye wash or multiple shower/eye wash tempering unit provides an operating temperature range of 35° to 120° F (1.67° to 48.9° C), supplied with 480V single phase tie in, and is designed to operate with a number of tempering and electrical options. The tempered water blending system will include an integral hot water supply, and will incorporate fail-safe features like anti-scald protection and full flow cold water bypass. The electrical system can be easily adapted to voltages upon request. Combination shower and eyewash is certified by CSA to meet the ANSI Z358.1 Standard for emergency Eyewash and Shower Equipment. For the electrical certification, the system is certified by accredited Certification Body.

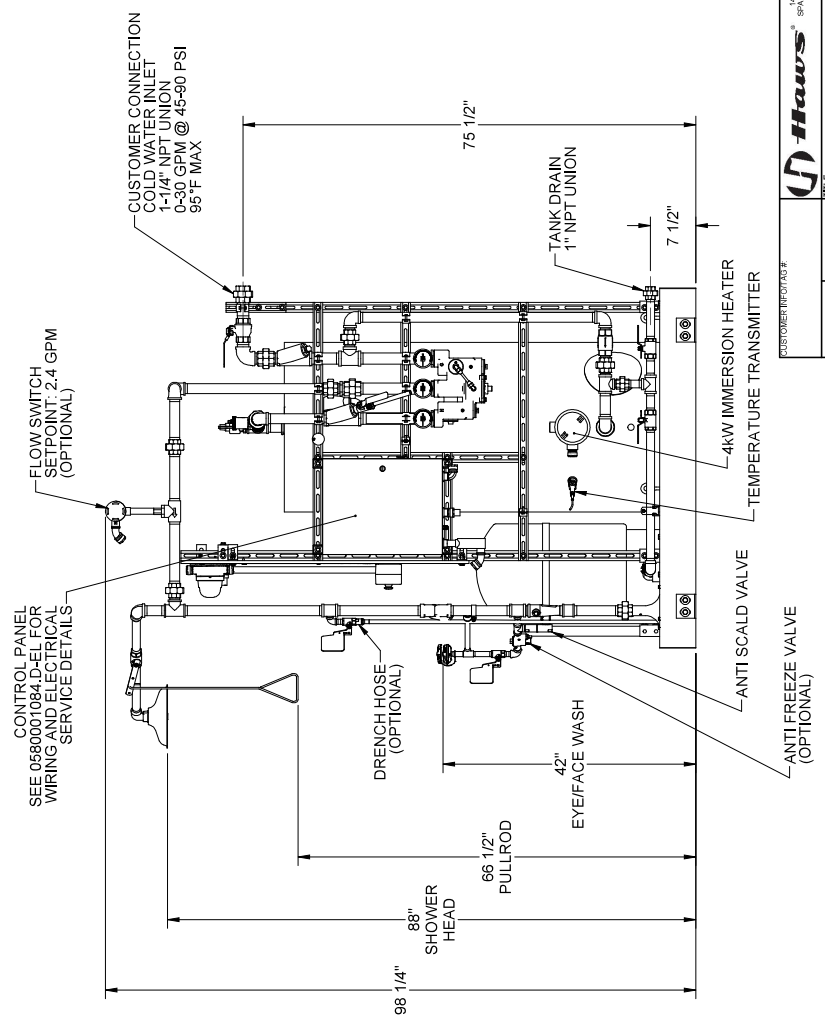
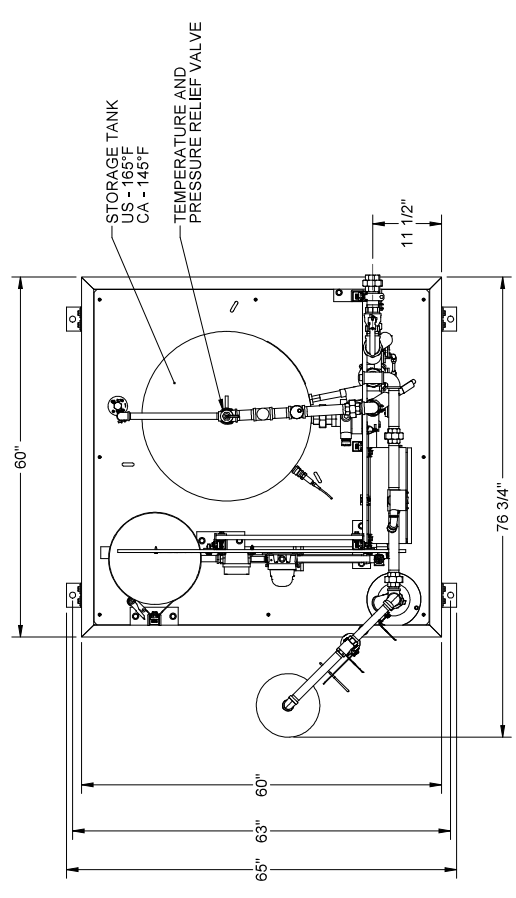
APPLICATIONS

Perfect for indoor facilities that may encounter dangerous chemical hazards and need a complete decontamination station, and/or need a feeder to other remote booth substations, or other drench systems and/or eyewash stations.

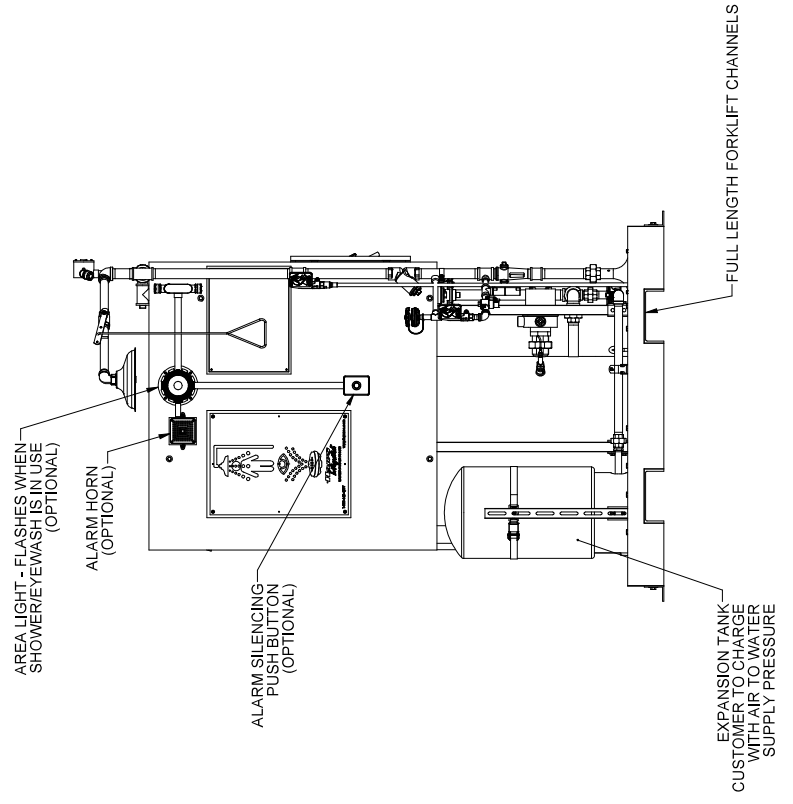
For more information, visit www.hawsc.com or call (888) 640-4297.



| REV | DESCRIPTION | DATE | BY |
|-----|-------------|------|----|
| 1 | REVISIONS | | |
| 2 | DESCRIPTION | | |
| 3 | DATE | | |
| 4 | BY | | |



- NOTES:
1. DIMENSIONS IN INCHES
 2. ALL TOLERANCES: ±.112"
 3. ESTIMATED WEIGHT (1119G TANK):
 DRY: 1200 LBS
 WET: 2200 LBS
 5. AREA CLASSIFICATION: ORDINARY
 6. AVAILABLE AMBIENT TEMPERATURE RANGE: 35°F - 120°F
 7. RATINGS: CONFIGURABLE WITH TYPE 4/4X JUNCTION BOX FOR INDOOR LOCATION
 8. NOT ALL FEATURES ARE STANDARD



Haws
 455 ALPHEE LANE
 SPARKS, NEVADA 89411

CUSTOMER PART # 0580001084-D-GA

TEMPERING SKID W/ SHOWER - EYEWASH

NOTE: IF PROPERTY IS IN A HAZARDOUS AREA, THE UNIT MUST BE INSTALLED IN ACCORDANCE WITH THE OSHA REGULATIONS AND THE APPROVED LIST OF HAZARDOUS MATERIALS WHICH IS PART OF THE Haws CORPORATION.

| | |
|-------------|------|
| JOB NUMBER | DATE |
| DRAWN BY | DATE |
| CHECKED BY | DATE |
| APPROVED BY | DATE |

SCALE: 1/4" = 1'-0"

REV. 1

THE ATTACHED DESIGNS ARE CONSIDERED TRADE SECRETS AND POTENTIALLY PATENTABLE IN ACCORDANCE WITH CONFIDENTIALITY AND NON-DISCLOSURE AGREEMENT. THESE DESIGNS IN ACTUAL OR CONCEPTUAL FORMS CANNOT BE DISCLOSED, REPRODUCED OR USED WITHOUT HAWS EXPRESS WRITTEN CONSENT.