

FEATURES & BENEFITS

OPTIONS

- ❑ Sink Faucet: Model 5530LF, stay-open hot-and-cold lever handled chrome-plated brass gooseneck faucet.
- ❑ Waste Strainer: Model 6455, polished chrome-plated brass flat waste strainer.
- ❑ Drinking Faucet: Model 5051LF, polished chrome-plated, self-closing, lever handle, sink or deck mounted bubbler valve with adjustable stream regulation.
- ❑ Drinking Faucet : Model 5054LF, lever handle, polished chrome-plated brass deck mounted drinking faucet with automatic stream regulation.

For more information, visit www.hawsc.com or call (888) 640-4297.



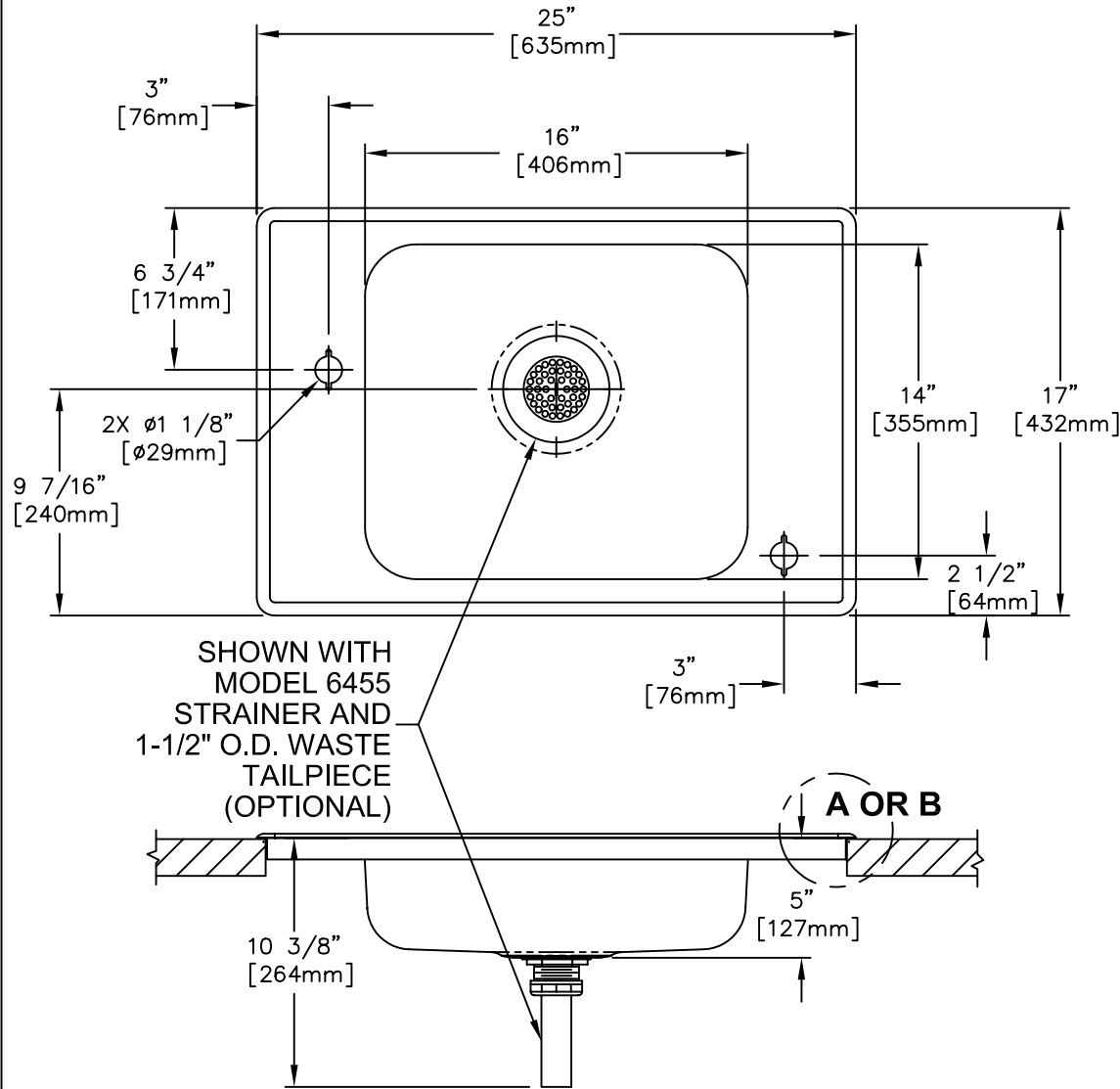
SPECIFICATIONS

Model 4210 deck mounted sink shall include a Type 304 Stainless Steel satin-finish, 18 gauge stainless steel basin with integral rim and 25" x 17" x 5" (63.5 x 43.2 x 12.7 cm) deep dimensions and barrier-free capabilities when installation guidelines are followed, and two cross-slotted holes to accept faucets.

APPLICATIONS

Perfect for either public or private indoor settings, the 4210 is a great fit in areas where a countertop is the best fit for a drinking faucet/sink mount. Specifically, this type of deck mounted sink may be placed in settings such as: schools classrooms, laboratories, and other facilities where the need for a deck mounted sink/fountain is present. Dual purpose abilities allow the unit to provide multiple functions in one area and not take up excess space. Model meets all current Federal Regulations for the disabled including those in the Americans with Disabilities Act. Haws manufactures drinking fountains and electric water coolers to be lead-free by all known definitions including NSF/ANSI Standard 61, Section 9, NSF/ANSI 372, California Proposition 65, and the Federal Safe Drinking Water Act.

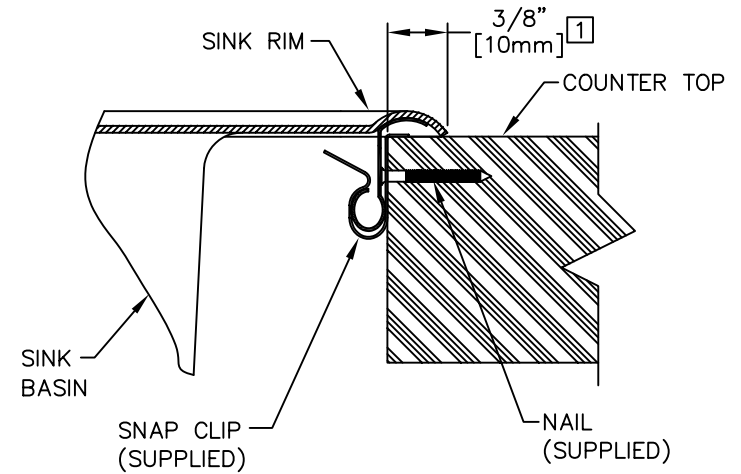
THIS DOCUMENT IS TRUE AND CORRECT AT TIME OF PUBLICATION. CONTINUED PRODUCT IMPROVEMENTS MAKE SPECIFICATIONS AND MEASUREMENTS SUBJECT TO CHANGE WITHOUT NOTICE.



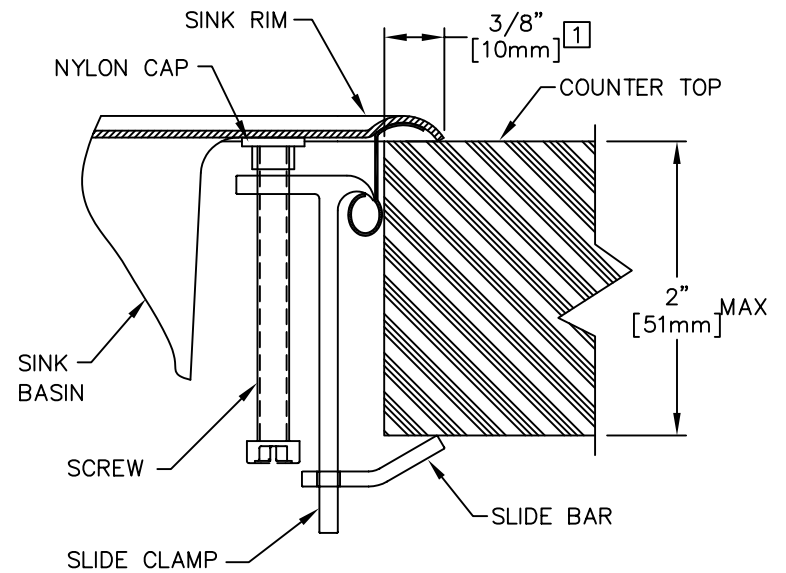
SHOWN WITH
MODEL 6455
STRAINER AND
1-1/2" O.D. WASTE
TAILPIECE
(OPTIONAL)

NOTE:

- 1 MAKE SURE CUTOUT IS 3/8" LESS THAN SINK RIM AROUND ALL EDGES.
CAUTION: DO NOT CUT HOLE IN COUNTERTOP UNTIL SINK IS AT HAND.



DETAIL A
SNAP CLIP MOUNTING SYSTEM (STANDARD)



DETAIL B
ADJUSTABLE SINK CLAMP MOUNTING SYSTEM
(OPTIONAL) P/N 0001690117

		1455 KLEPPE LANE SPARKS, NEVADA 89431 (775) 359-4712 FAX (755) 359-7424 E-MAIL: HAWS@HAWS.CO.COM WEBSITE: WWW.HAWS.CO.COM	
		ECN NO. REVISED PER BY: ECN: 4603 HM	MODEL(S)
DRAWN: CJL	DATE: 04/93	CHKD:	4210
APPROVED:	DATE:	SCALE: 1:8	DRAWING TYPE: ENVELOPE
		SIZE: A	SHEET 1 OF 1