



model **5051LF**
Drinking Faucet

FEATURES & BENEFITS

VALVE

Polished chrome-plated, lead-free brass, lever handle self-closing valve features screwdriver adjustment stream control.

QUALITY

Bubbler is pre-built and fully water and pressure tested to ensure no leaks and proper function for reduced installation time and added peace of mind.

BUBBLER HEAD

Polished chrome-plated brass bubbler head is equipped with a shielded, anti-squirt orifice that provides a steady sanitary source of water.

OPTIONS

For more information, visit www.hawsc.com or call (888) 640-4297.



SPECIFICATIONS

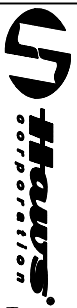
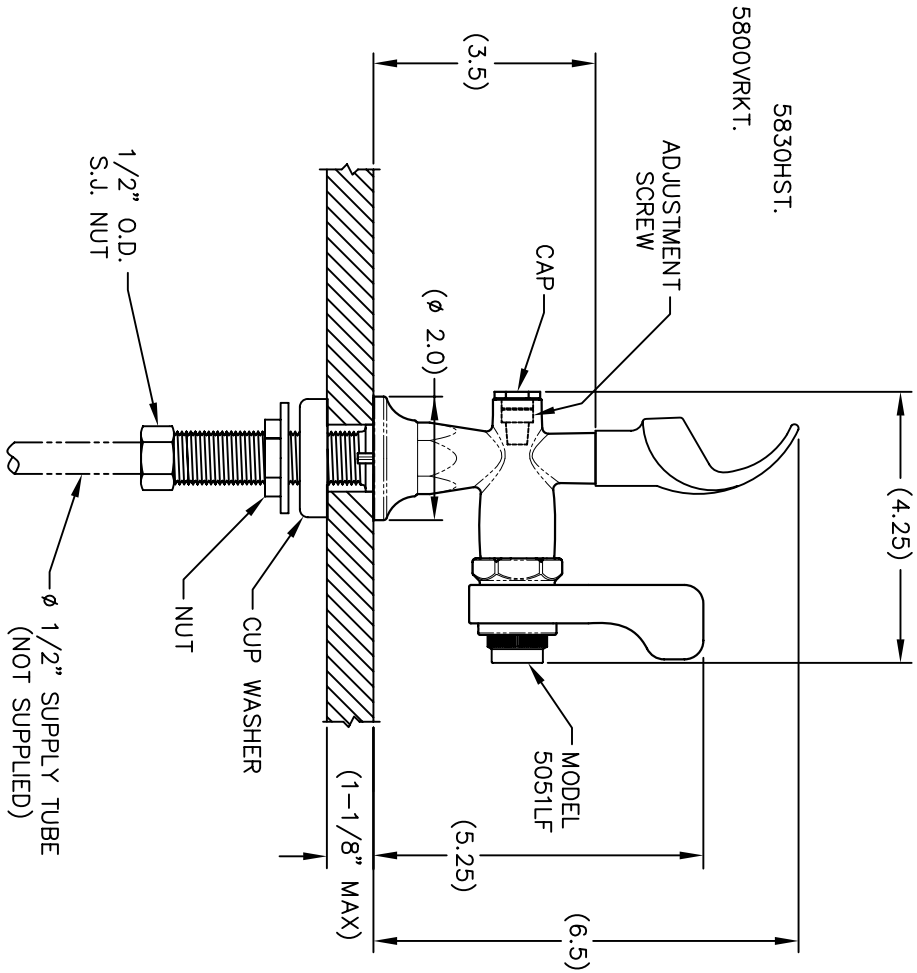
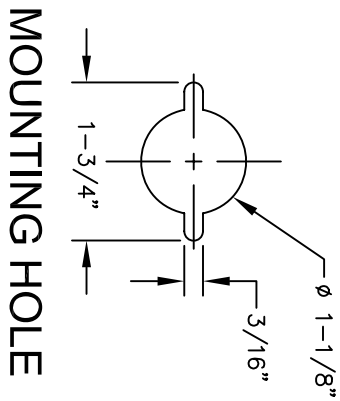
Model 5051LF deck mounted bubbler valve shall include a polished chrome-plated brass lever handle valve with adjustable stream capabilities, polished chrome-plated brass bubbler head, polished chrome-plated brass deck flange, and 1/2" O.D. (1.3 cm) slip-joint inlet.

APPLICATIONS

Perfect for either public or private indoor settings, the 5051LF is a great fit in areas where a counter top is in close proximity to a sink/bowl. Specifically, this type of deck mounted drinking faucet may be placed in settings such as: schools, classrooms, laboratories, and other facilities where the need for a deck mounted sink/faucet is present. Haws manufactures drinking fountains, faucets and electric water coolers to be lead-free by all known definitions including NSF/ANSI/CAN 61- Section 9, NSF/ANSI/CAN 372, California Proposition 65, and the Federal Safe Drinking Water Act. Product is compliant to California Health and Safety Code 116875 (AB 1953-2006).

NOTE:

1. BE SURE INDEXING PIN IS INSTALLED AND ORIENTED TO ACCOMMODATE YOUR DESIRED MOUNTING
2. TO ADJUST FLOW, TURN ADJUSTMENT SCREW COUNTER CLOCKWISE TO INCREASE FLOW, AND CLOCKWISE TO DECREASE FLOW.
3. THE HANDLE/STEM REPAIR KIT FOR THIS MODEL IS:
4. THE VALVE REPAIR KIT FOR THIS MODEL IS:



INFO FAX : 1-888-FAX-HAWS (1-888-329-4297)
 1455 Kleppe Ln, Sparks NY, 89431
 Phone: 775-359-4712 Fax: 775-359-7424
 Haws Ag Bachweg 3 CH-3401 Burgdorf Switzerland
 Haws Mfg Pte Ltd 74 Sungei Kadut Loop Singapore 729531
 e-mail: Haws@hawsco.com website: www.hawsco.com

FORM NO.	REVISED PER	DATE	BY	CHK'D	DATE	BY	SCALE	MODEL(S)	PART NUMBER
5051LF	EON:3807	02					1:3	5051LF	0002077515
APPROVED	DATE	BY	DATE	BY	DATE	BY		INFO FAX DOC #:	DRAWING TYPE
								2505153	INSTALLATION/FABRICATION
									SIZE
									A
									SHT
									1 OF 1