

FEATURES & BENEFITS

CONSTRUCTION

Reinforced molded fiberglass booth provides a solid free standing enclosed environment for added privacy and stability. Unit also comes equipped with galvanized steel floor grate for wheel chair access while offering proper waste drainage.

EYE/FACE WASH HEAD

AXION® MSR eye/face wash head uses an inverted directional laminar flow to sweep contaminants away from the vulnerable nasal cavity.

SHOWERHEAD

AXION® MSR ABS plastic drench showerhead uses a hydrodynamic design to give equal distribution of water throughout the entire footprint of flow. Both valves come equipped with stainless steel ball and stem to provide greater protection against corrosion and breakage.

Eye/face wash and shower ball valves are designed to make the flushing of fluid remains occur with the simple pull of a lever or push of a stainless steel flag. Both valves come equipped with stainless steel ball and stem to provide greater protection against corrosion and breakage.

BARRIER-FREE ACCESS

Barrier-free design offers a low profile eyewash assembly and a longer shower pull rod allowing for wheelchair access.

QUALITY CONTROL

Entire unit is pre-built and pressure tested to ensure a leak free installation.

OPTIONS

- Thermostatic Mixing Valve: Model 9201E AXION® Emergency Tempering Valve thermostatically mixes hot and cold water to provide a safe fluid supply for emergency showers and eyewash equipment, with a flow rate of 31 gpm (117.3 L).
- Emergency Alarm System: Model 9001, 1-1/4" 120 VAC emergency alarm and light system. Buzzer and flashing light are activated by an 1-1/4" double pole, double throw flow switch.
- ANSI Shower and Eyewash Testing Kit: Model 9011 ANSI compliance test kit.
- Curtain: Model 9040, privacy curtain designed to be used with Haws models 8605WC and 9035.

For more information, visit www.hawsco.com or call (888) 640-4297.



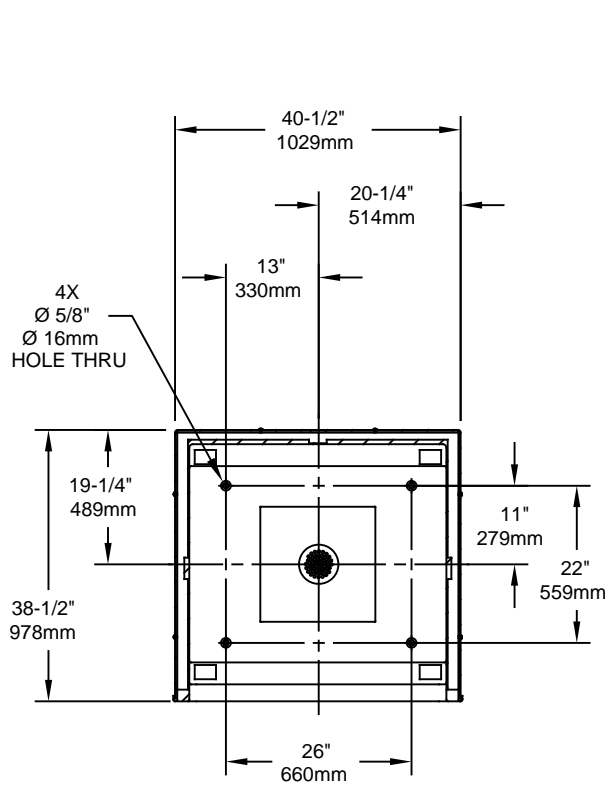
SPECIFICATIONS

Model 8605WC barrier-free combination shower and eye/face wash booth shall include an AXION® MSR eye/face wash head shall feature inverted directional laminar flow which achieves Zero Vertical Velocity™ supplied by an integral 3.7 gpm flow control. Unit shall also include the AXION MSR hydrodynamic designed ABS plastic showerhead with 20 gpm flow control, wheelchair accessibility, chrome-plated brass stay-open shower and eyewash ball valves equipped with stainless steel ball and stem, a white reinforced molded fiberglass booth, galvanized steel floor grate, universal signs, 1" NPT supply, and 3" IPS caulk floor drain.

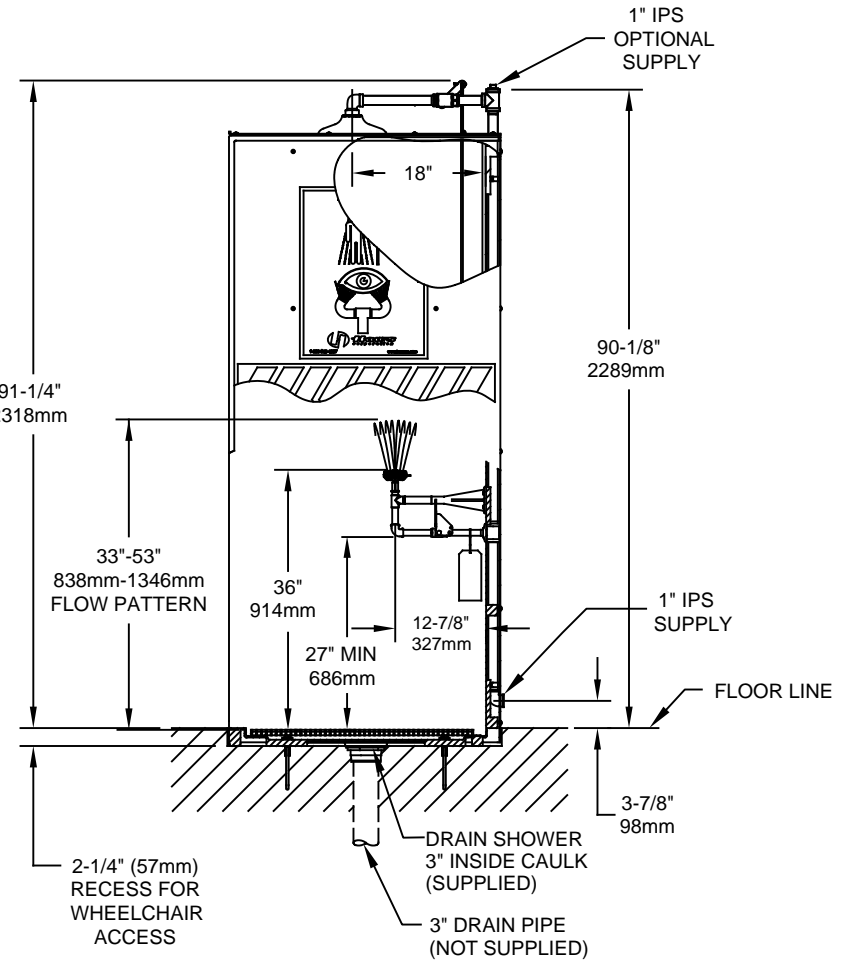
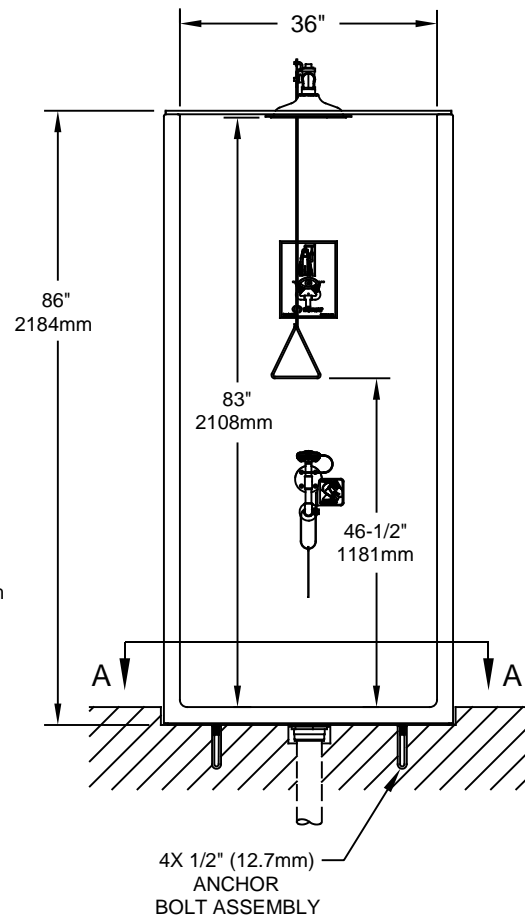
APPLICATIONS

Where the eyes, face, or body of any person may be exposed to injurious or corrosive materials, suitable facilities for quick drenching or flushing of the eyes, face, and body shall be provided within the work area for immediate emergency use. Emergency eye/face wash facilities and deluge showers shall be in unobstructed and accessible locations that require no more than 10 seconds for the injured person to reach. Model 8605WC is certified by CSA to meet the ANSI Z358.1 Standard for Emergency Eyewash and Shower Equipment.





**SECTION A-A
MOUNTING DETAIL**



NOTES:

1. WHEN INSTALLING THIS UNIT, LOCAL, STATE, OR FEDERAL CODES SHOULD BE ADHERED TO FOR INSTALLATION DIMENSIONS (LOCATIONS), WASTE AND SUPPLY REQUIREMENTS OTHER THAN SHOWN.
2. TO COMPLY WITH ANSI Z358.1-2014 FOR EMERGENCY EYEWASH OR EYE/FACE WASH: EYEWASH OR EYE/FACE WASH SHALL BE POSITIONED SUCH THAT FLUSHING FLUID PATTERN IS NOT LESS THAN 33" (838mm), NO GREATER THAN 53" (1346mm) FROM SURFACE ON WHICH USER STANDS, AND 6.0" (153mm) MINIMUM FROM WALL OR NEAREST OBSTRUCTION.
3. SHOWER SHALL BE POSITIONED SUCH THAT SHOWER HEAD IS NOT LESS THAN 82" (2083mm) OR GREATER THAN 96" (2438mm) FROM SURFACE ON WHICH USER STANDS.
4. SHOWER SPRAY PATTERN SHALL HAVE A MINIMUM DIAMETER OF 20" (508mm) AT 60" (1524mm) ABOVE SURFACE ON WHICH USER STANDS. CENTER OF SPRAY PATTERN SHALL BE LOCATED AT LEAST 16" (406mm) FROM ANY OBSTRUCTION.
5. DIMENSIONS MAY VARY ±1/2".

 Haws ®		1455 KLEPPE LANE SPARKS, NEVADA 89431 (775) 359-4712 FAX (775) 359-7424 E-MAIL: HAWS@HAWS.CO.COM WEBSITE: WWW.HAWS.CO.COM	
		ECN NO. REVISED PER BY: MODEL(S) ECN: 5334 NG	8605WC EMERGENCY SHOWER
DRAWN: RTM APPROVED: MJ	DATE: 8/10/01 DATE: 08/07/18	CHK'D.: FV DATE: 08/07/18	REVISION 13
SCALE: NA		DRAWING TYPE: INSTALLATION	SIZE: A SHEET 1 OF 1