



model SP65CTFP

AXION® MSR Eye/face Wash Head

FEATURES & BENEFITS

OPTIONS

For more information, visit www.hawsc.com or call (888) 640-4297.



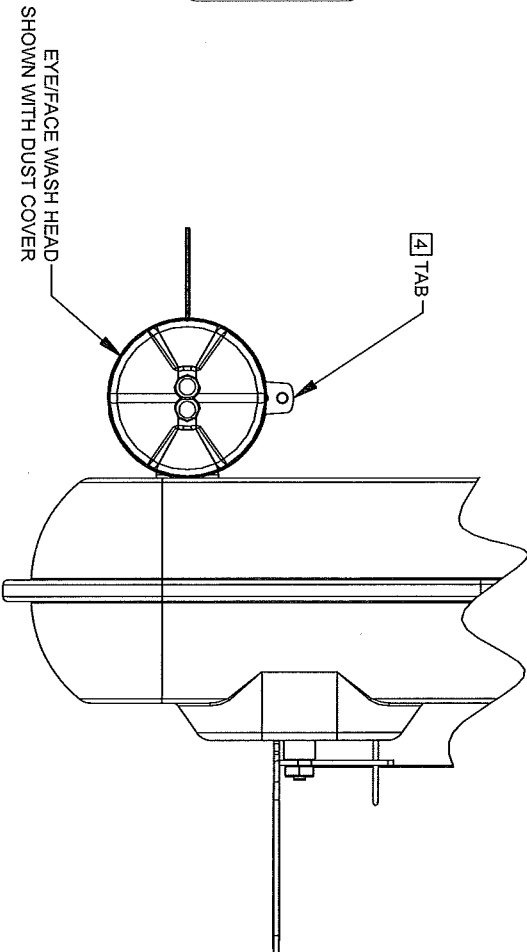
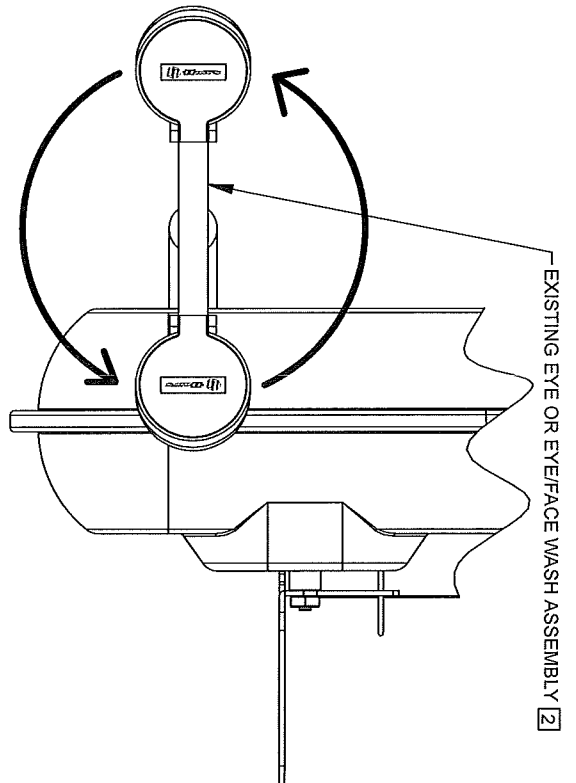
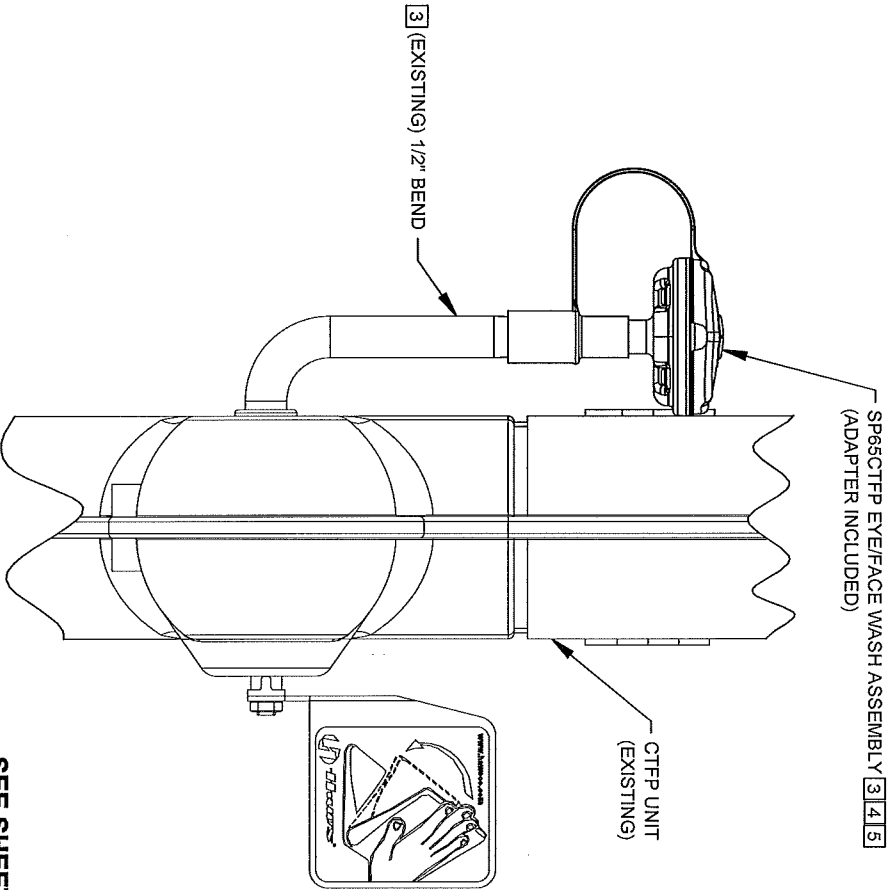
SPECIFICATIONS

Model SP65CTFP AXION® MSR eye/face wash head shall include inverted directional flow with laminar flow and an integral 3.7 gpm (14 L) flow control, along with a yellow plastic pop-off dust cover. This eye/face wash head is specifically designed for the 8317CTFP series.

APPLICATIONS

INSTALLATION/ RETRO FIT STEPS

1. SP65CTFP IS FOR USE ON MODELS 8317CTFP, 8317CTFP.220V AND 8317CTFPC1D1.
2. REMOVE EXISTING EYEWASH BY SPINNING EYEWASH TEE COUNTERCLOCKWISE. DO NOT REMOVE 1/2" BEND.
3. THREAD SP65CTFP ADAPTER ONTO 1/2" BEND. PLACE DUST COVER LOOP OVER SP65CTFP ADAPTER.
4. THREAD EYEFACE WASH HEAD ONTO ADAPTER. ORIENT TAB TOWARDS THE BACK (AWAY FROM USER). DO NOT OVER-TIGHTEN.
5. PLACE DUST COVER ONTO EYEFACE WASH HEAD.



TOP VIEWS

SEE SHEET 2 OF 2
FOR FLOW CONTROL
CLEANING STEPS

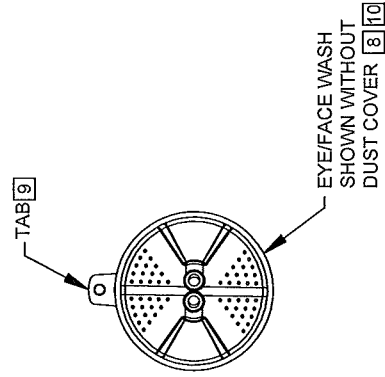
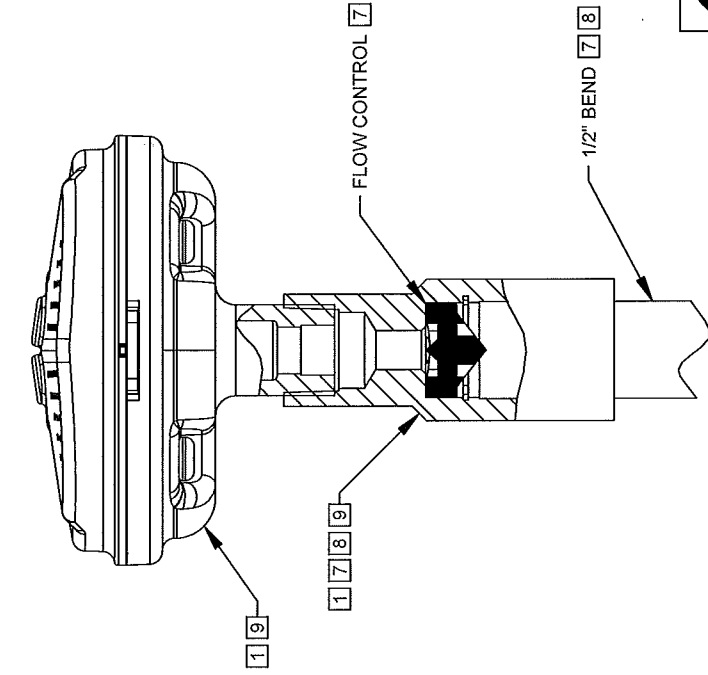
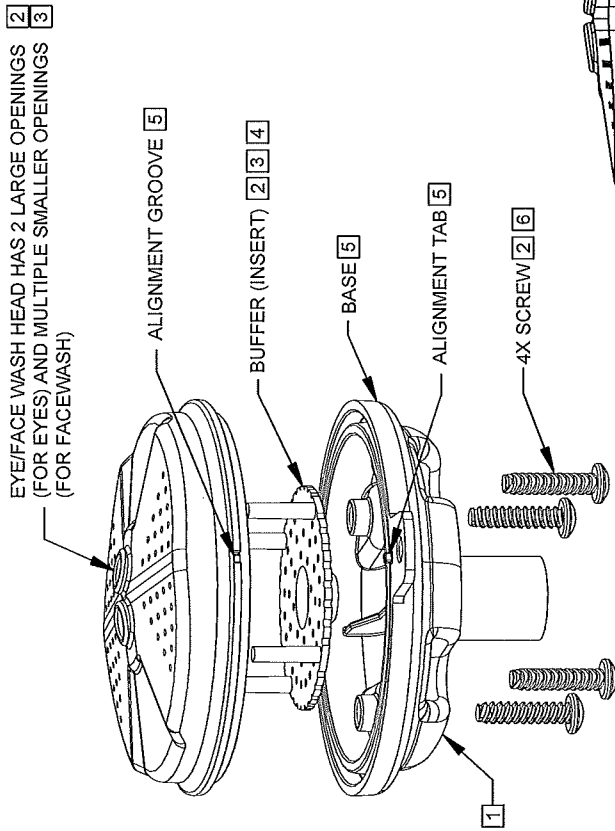


1458 KLEPPE LANE
SPARKS, NEVADA 89431
(775) 369-4712 FAX (775) 369-7424
E-MAIL: HAWS@HAWS.CO.COM
WEBSITE: WWW.HAWS.CO.COM

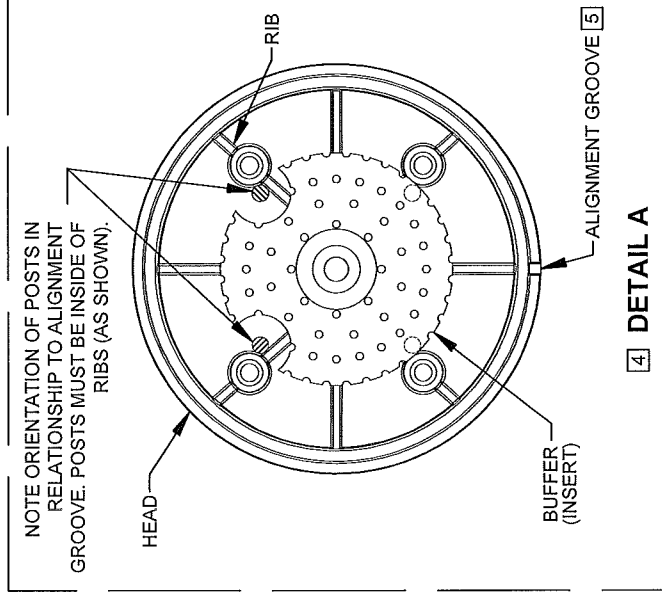
| | | |
|-------------------------|--------------------|-----------------|
| ECN NO. REVISED PER BY: | MODEL(S) | PART NUMBER |
| 4480 LEV.4838 HM | SP65CTFP | 0002080264 |
| DRAWN: DATE: CHECKED: | AXION EYEFACE WASH | DRAWING NO. REV |
| ROBERTS DATE | INSTALLATION | 16061A00 2 |
| APPROVED: DATE | SCALE: 1/8" | SHEET 1 OF 2 |

AXION HEAD & FLOW CONTROL CLEANING STEPS:


- 1 UNSCREW EYE/FACE WASH ASSEMBLY FROM ADAPTER.
- 2 REMOVE SCREWS (QTY. 4) FROM SP65CTFP EYE/FACE WASH ASSEMBLY. REMOVE EYE/FACE WASH HEAD AND BUFFER (INSERT).
- 3 CHECK FOR ANY DEBRIS, SEDIMENT OR MINERAL DEPOSITS BLOCKING ORIFICES ON HEAD OR BUFFER AND THOROUGHLY REMOVE ALL OBSTRUCTIONS.
- 4 INSERT BUFFER (INSERT) INTO EYE/FACE WASH HEAD NOTING ORIENTATION OF POST IN RELATIONSHIP TO ALIGNMENT GROOVE AS SHOWN ON DETAIL A.
- 5 REASSEMBLE EYE/FACE WASH HEAD, MAKING SURE THAT ALIGNMENT GROOVE ON EYE/FACE WASH HEAD LINES UP WITH ALIGNMENT TAB ON BASE.
- 6 REINSTALL SCREWS (QTY. 4) INTO THE EYE/FACE WASH ASSEMBLY. TIGHTEN SNUG TO ENSURE A WATERTIGHT SEAL. DO NOT OVER-TIGHTEN. TORQUE SPEC: 4 IN. LBS MAX.
- 7 UNSCREW ADAPTER FROM 1/2" BEND TO GAIN ACCESS TO FLOW CONTROL FROM EITHER END OF ADAPTER TO REMOVE ANY DEBRIS LODGED IN ORIFICES.
- 8 REASSEMBLE ADAPTER ONTO 1/2" BEND. PLACE DUST COVER LOOP (NOT SHOWN) OVER ADAPTER.
- 9 REASSEMBLE SP65CTFP EYE/FACE WASH ASSEMBLY ONTO ADAPTER. ORIENT TAB TOWARDS THE BACK (AWAY FROM USER). DO NOT OVER-TIGHTEN.
- 10 PLACE DUST COVER (NOT SHOWN) ONTO EYE/FACE WASH.



EYE/FACE WASH SHOWN WITHOUT DUST COVER [8] [10]



[4] DETAIL A



Haws[®]

1455 KLEPPE LANE
SPARKS, NEVADA 89431
(775) 389-4712 FAX (775) 359-7424
E-MAIL: HAWS@HAWS.CO.COM
WEBSITE: WWW.HAWS.CO.COM

| | | | | | |
|--|-----------------|----|-------------|----------------------|-------|
| ECN NO. | REVISED PER BY: | HM | DATE: | CHD: | DATE: |
| 4798 | ECN-4838 | | 04/22/13 | 5/2/13 | |
| DRAWN: | | | APPROVED: | | |
| H. MERRITT | | | [Signature] | | |
| MODEL(S) SP65CTFP AXION EYE/FACE WASH | | | | | |
| PART NUMBER 0002080264 | | | | | |
| DRAWING NO. REV 16067A00 2 | | | | | |
| SCALE: 1:18 INSTALLATION | | | | SIZE: A SHEET 2 OF 2 | |

SEE SHEET 1 OF 2 FOR INSTALLATION/RETROFIT STEPS