



model **SP829**
AXION® MSR Showerhead

FEATURES & BENEFITS

SHOWERHEAD

AXION® MSR ABS plastic drench showerhead uses a hydrodynamic design to give equal distribution of water throughout the entire footprint of flow.

COMFORT

The violent showerhead flows of the past have been replaced by breaking the streams of water into smaller individual droplets to provide a more comfortable shower environment.



OPTIONS

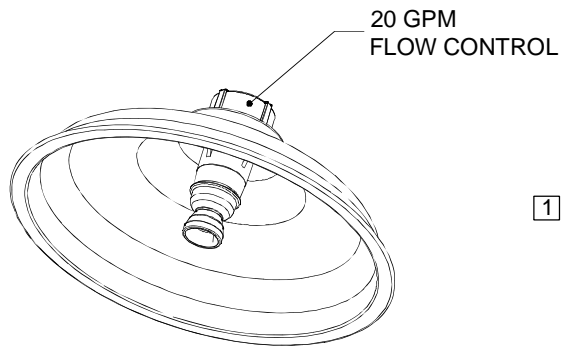
For more information, visit www.hawesco.com or call (888) 640-4297.

SPECIFICATIONS

Model SP829 AXION® MSR hydrodynamic designed green ABS plastic showerhead with 20 gpm (75.7 L) flow control and 1" NPT inlet.

APPLICATIONS

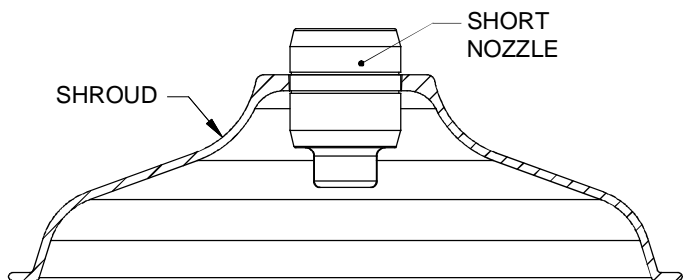
Specifically, this showerhead can be used with almost any Haws shower or combination model, with the use of a 1" NPT inlet.



20 GPM FLOW CONTROL

EXISTING SHOWER HEAD (SHROUD TYPE WITH INTEGRAL FLOW CONTROL)

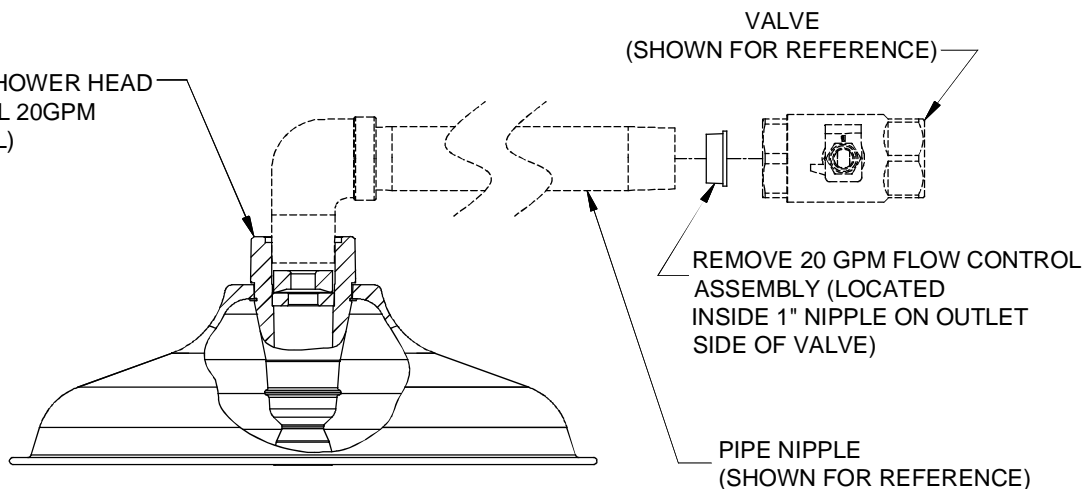
2 STYLE A



EXISTING SHOWER HEAD (SHORT NOZZLE TYPE WITH EXTERNAL FLOW CONTROL MAY OR MAY NOT INCLUDE SHROUD)

2 STYLE B

1 SP829 AXION SHOWER HEAD (WITH INTEGRAL 20GPM FLOW CONTROL)



FLOW CONTROL REMOVAL FROM EXISTING SHOWER (APPLIES ONLY TO SHOWERS WITH A SHORT NOZZLE SHOWER HEAD - SEE STYLE B)

DETAIL A

NOTES:

1 IF NECESSARY, USE DOW CORNING 832 SEALANT, PLACING 5 SMALL BEADS ON THE MALE THREADS OF MATING PART (JUST ABOVE THE FIRST THREAD) BEFORE ASSEMBLING HEAD.

2 **REPLACEMENT INSTRUCTIONS FOR EXISTING SHOWER HEADS SHOWN ABOVE:**
STYLE A) IF EXISTING HEAD IS SHROUD TYPE WITH INTERNAL FLOW CONTROL; REPLACE WITH NEW SP829 HEAD. NO OTHER MODIFICATIONS ARE REQUIRED.

STYLE B) IF EXISTING HEAD IS SHORT NOZZLE TYPE (MAY OR MAY NOT HAVE A SHROUD ATTACHED) A 20 GPM FLOW CONTROL IS PRESENT INSIDE OVERHEAD NIPPLE AND **MUST BE REMOVED** PRIOR TO INSTALLING NEW SP829 SHOWER HEAD. (SEE **DETAIL A**)

		1455 KLEPPE LANE SPARKS, NEVADA 89431 (775) 359-4712 FAX (775) 359-7424 E-MAIL: HAWS@HAWSCO.COM WEBSITE: WWW.HAWSCO.COM			
		ECN NO. 4111 DRAWN: IR APPROVED:	REVISED PER: HM ECN: 4723 DATE: 5/22/08 DATE:	MODEL(S) SP829 AXION SHOWER HEAD	PART NUMBER 0002080268 DRAWING NO. 15351A00 REV 7
SCALE: 3:2		DRAWING TYPE: INSTALLATION		SIZE: A	SHEET 1 OF 1