



RADII™ DRINKING FOUNTAIN F140REE

Suggested Specification

Model F140REE is a non-refrigerated and stainless steel drinking fountain. Shall include infrared sensors to activate the flow of water. Fountain shall be designed to eliminate splashing and standing water. Bubbler shall have flexible guard and operate between 20 and 100 PSI. Cabinet finish shall be brushed stainless steel. Shall comply with ANSI 117.1 and ADA frontal approach requirements. Shall be listed by Underwriters Laboratories to US and Canadian standards. Shall comply with ANSI/NSF 61 and NSF/ANSI 372. Radii fountain meets the needs of the physically challenged and the able-bodied.

Model

F140REE is a reflective light beam activates the fountain when the user approaches. No touching or pushing is needed. The system features a time delay to avoid unwanted activation and a shut off if the user does not move away in 30 seconds.

Standard Features

- Waterways are Lead-Free in materials & construction
- Built-in 100 micron strainer stops particles before they enter water way
- Bottom panel includes vandal resistant screws
- Flexible vandal resistant bubbler guard
- Brushed stainless steel finish

Finishes

Standard cabinet finish: Stainless steel

Installation

- Prior to roughing consult with local, state and federal codes for proper mounting height
- Shipped with complete instructions and wall mounting bracket

Limited 1-Year Warranty

(Continental limits of the United States and Canada)
One year from date of installation on parts only

Export Warranty

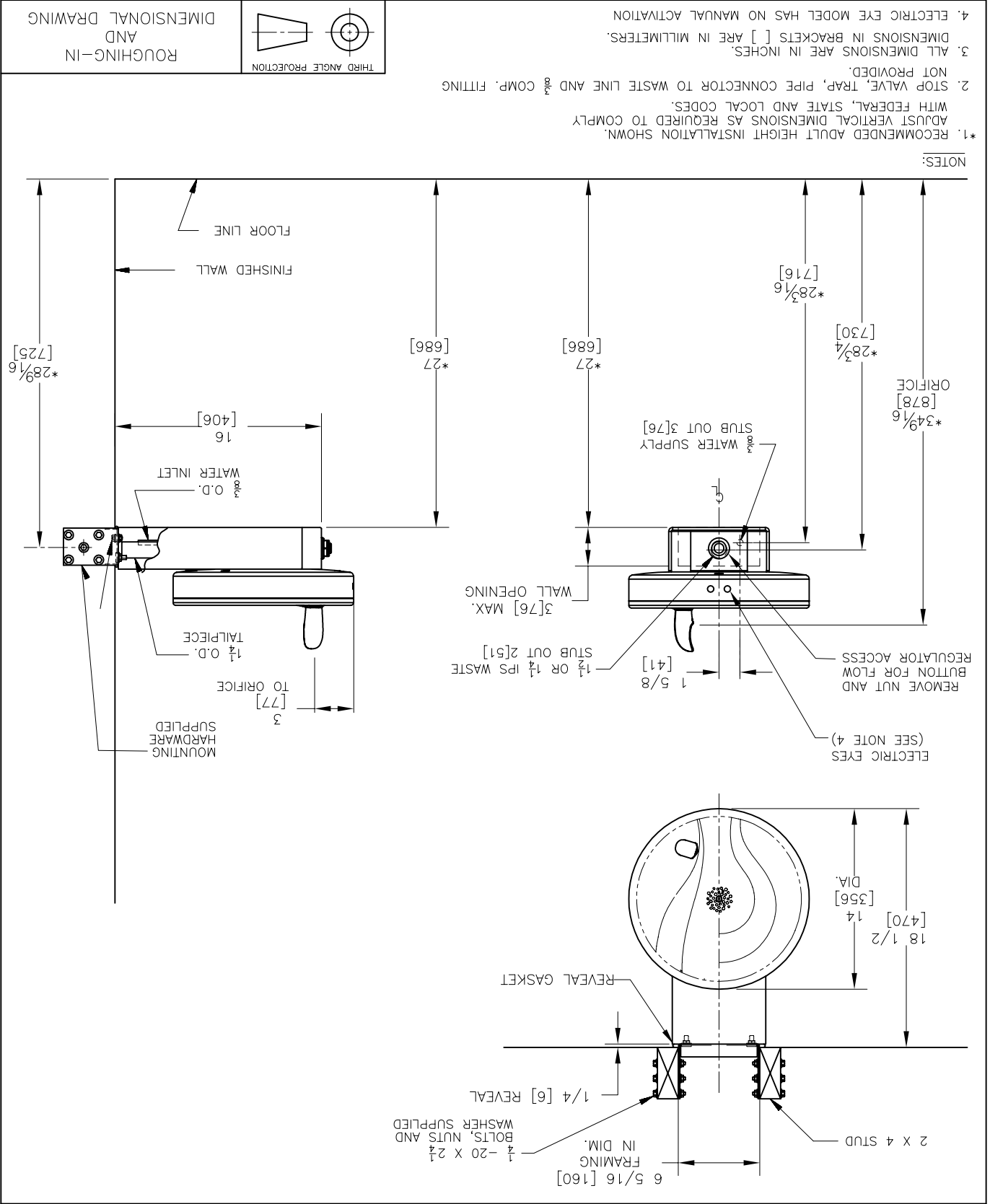
One year on components parts. Detailed warranty certificate enclosed with each drinking fountain; sample copy available upon request.

Certifications/Compliance

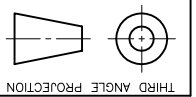
- Oasis International Electric Water Coolers are listed by Underwriters Laboratories Inc. and comply with both U.S. and Canadian Requirements.
- Product Certified to NSF/ANSI Standard 61-G & 372 and conforms with the lead content requirements for "Lead Free" plumbing as defined by California, Vermont, Maryland, and Louisiana state laws and the U.S. Safe Drinking Water Act.
- These waters coolers comply with the requirements of ADA (Americans with Disabilities Act) when properly installed.



OASIS® RADII DRINKING FOUNTAIN MODELS F140REE



ROUGHING-IN AND DIMENSIONAL DRAWING



- NOTES:
- RECOMMENDED ADULT HEIGHT INSTALLATION SHOWN. ADJUST VERTICAL DIMENSIONS AS REQUIRED TO COMPLY WITH FEDERAL, STATE AND LOCAL CODES.
 - STOP VALVE, TRAP, PIPE CONNECTOR TO WASTE LINE AND $\frac{3}{8}$ COMP. FITTING NOT PROVIDED.
 - ALL DIMENSIONS ARE IN INCHES. DIMENSIONS IN BRACKETS [] ARE IN MILLIMETERS.
 - ELECTRIC EYE MODEL HAS NO MANUAL ACTIVATION.