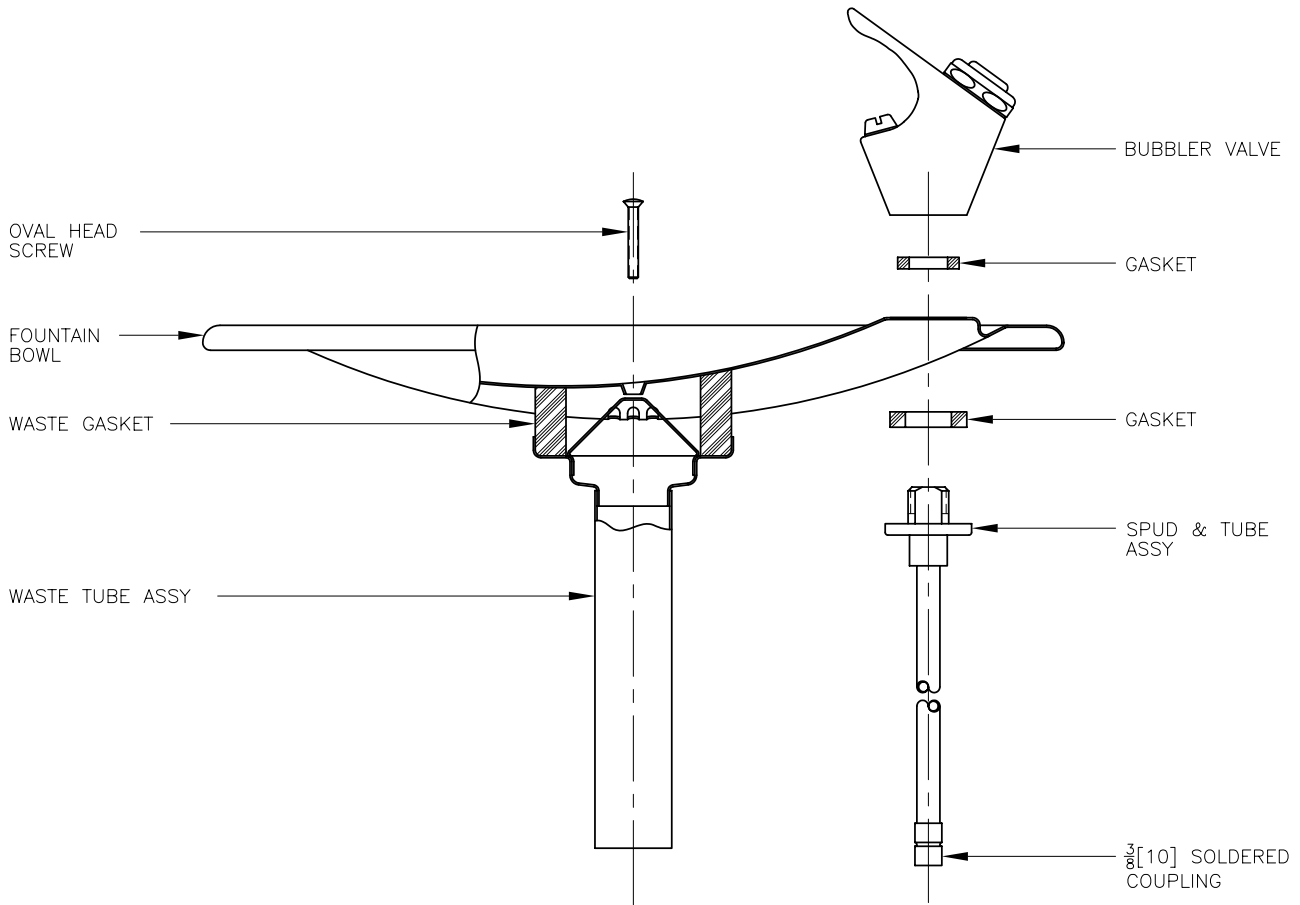


RADII FOUNTAIN MODELS
OASIS® F300R
SUNROC DF-6101
INSTRUCTIONS



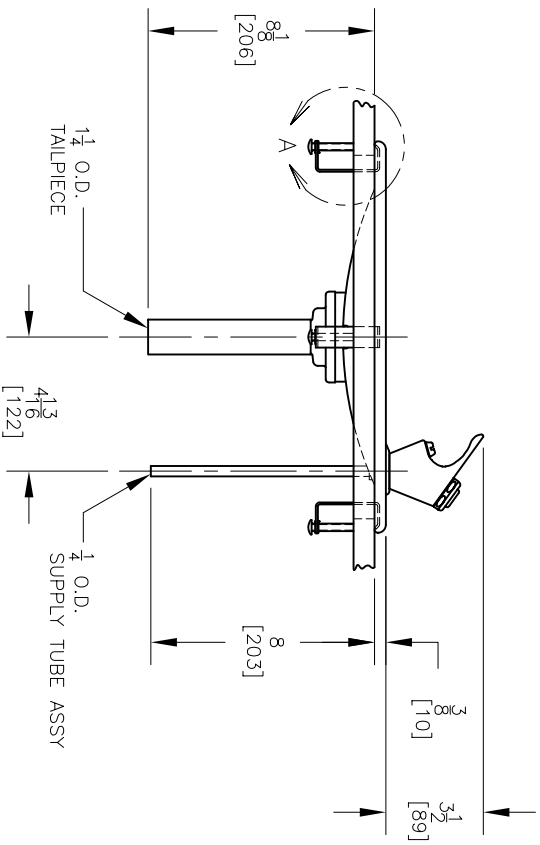
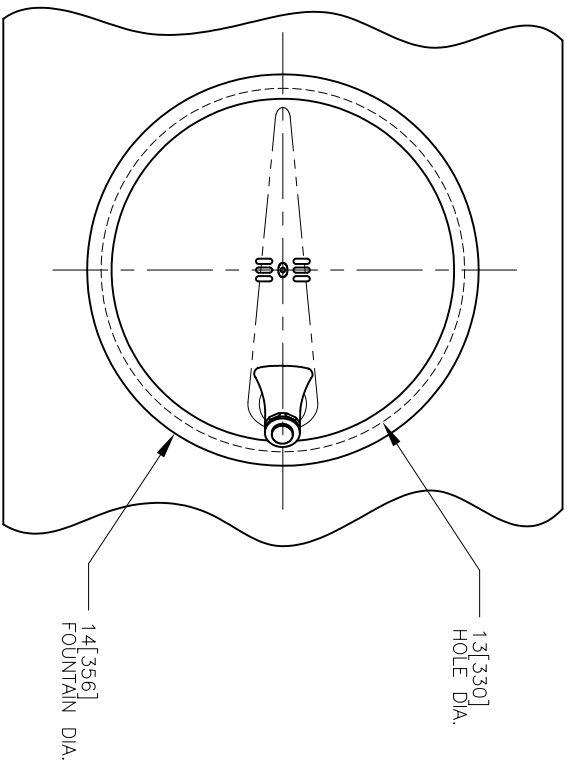
ASSEMBLY INSTRUCTIONS

1. ASSEMBLE THE GASKET TO THE SPUD AND TUBE ASSEMBLY.
2. PLACE THE SPUD AND TUBE ASSEMBLY THROUGH THE UNDERSIDE OF THE FOUNTAIN BOWL.
3. ADD THE GASKET AND SCREW THE BUBBLER VALVE ONTO THE SPUD.
4. ASSEMBLE THE WASTE GASKET TO THE WASTE TUBE ASSEMBLY AND SCREW THE TUBE ASSEMBLY TO THE FOUNTAIN BOWL. (ORIENT THE WASTE GASKET TO FIT THE BOWL CONTOUR).



222 East Campus View Blvd. • Columbus, OH 43235 U.S.A.
 1-800-950-3226
 www.oasiscoolers.com

RADI FOUNTAIN MODELS
OASIS® F300R
SUNROC DF-6101

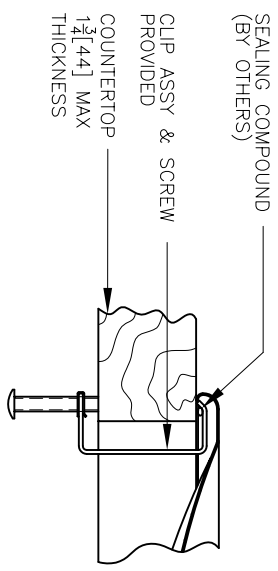


MOUNTING, DRINKING FOUNTAIN TO COUNTERTOP

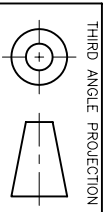
1. CUT A 1 3/16 [3.30] DIA. HOLE IN THE COUNTERTOP IN THE DESIRED LOCATION.
2. LAY A BEAD OF SEALING COMPOUND 3/8 [3] WIDE BY 1/8 [3] THICK AROUND THE BOTTOM LIP OF THE FOUNTAIN.
3. POSITION THE FOUNTAIN IN THE COUNTERTOP HOLE.
4. SCREW IN SEVERAL THREADS OF THE (4)FOUR SCREWS PROVIDED INTO THE CLIP ASSEMBLIES. ENGAGE THE CLIP ASSEMBLIES IN THE RETURN FLANGE OF THE FOUNTAIN (DETAIL 'A') AND TIGHTEN THE SCREWS TO SECURE THE FOUNTAIN TO THE TOP. NOTE, EQUALLY SPACE THE (4)FOUR CLIP ASSEMBLIES AROUND THE FOUNTAIN.
5. WIPE AWAY ANY EXCESS SEALING COMPOUND AROUND THE FOUNTAIN.
6. CONNECT PLUMBING. CHECK FOR LEAKS.

NOTES:

1. ALL DIMENSIONS ARE IN INCHES. DIMENSIONS IN BRACKETS [] ARE IN MILLIMETERS.
2. TRAP AND STOP VALVE NOT FURNISHED.
3. NOTE: THE FOLLOWING STATES REQUIRE A LICENSED PLUMBER TO INSTALL FOUNTAIN: AR, GA, MA, MI, OK, RI, SC, SD, TX, VI, AND WI. CA, KS, MN, NM, AND OR ALLOW FOR A STATE-REGISTERED INSTALLER OR CONTRACTOR AS WELL. STATE AND LOCAL PLUMBING CODES MAY PROHIBIT THE USE OF SADDLE TAPPING VALVES FOR WATER LINE CONNECTION IN SOME APPLICATIONS. ALL CONNECTIONS MUST CONFORM TO APPLICABLE PLUMBING CODES.



DETAIL A



THIRD ANGLE PROJECTION
 ROUGHING-IN
 AND
 DIMENSIONAL DRAWING