

# DRINKING FOUNTAIN MODELS OASIS® ML110RFZ, SUNROC DFL-2011FR

## INSTALLATION NOTES - READ BEFORE INSTALLING FOUNTAINS

1. **WARNING:** Installation must be as follows to maintain frostproof feature and prevent damage to fountain and/or water control system:
  - a) Water supply line to fountain bubbler must be installed with a constant downslope from bubbler to control valve to allow complete drainage after use.
  - b) The control valve box assembly must be installed in an area where the ambient temperature will not fall below 40° F to prevent freezing.
  - c) Fill inside of fountain completely with a high R-value building insulation. (Note 13)
  - d) Before connecting water supply, flush the building water supply line thoroughly to remove any debris inside the line and until the water is flowing clear.
  - e) Failure to comply with the above may result in damage or failure of fountain and/or water control system and will void all warranties.
2. **Note:** The following states require a licensed plumber to install cooler; AR, GA, MA, MI, OK, RI, SC, SD, TX, VT and WI. CA, KS, MN, NM and OR allow for a state-registered installer or contractor as well. State and local plumbing codes may prohibit the use of saddle tapping valves for water line connection in some application. All connections must conform to applicable plumbing codes.
3. Recommended ADA height installation shown. Adjust vertical dimensions as required to comply with federal, state or local codes.
4. It is the responsibility of the installer to select the proper type of mounting hardware suitable for the type of wall construction for anchoring the fountain wall bracket and control valve box securely to the wall. Use 5/16 hardware for these items.
5. These fountains are designed for mounting to walls from 6 to 10" thick. For other wall thicknesses consult the Customer Service Department.
6. Use template for mounting fountain wall bracket first then control valve box. See instructions for using template.
7. Level wall bracket and secure to wall. Slide splash panel over studs then fountain (remove bottom panel) and secure with 6-1/4 washers and nuts (supplied).
8. Glue drain assembly tube to control box elbow using primer and glue for PVC. Push tube to full socket depth of elbow. Insert drain tube from control box through drain hole and connect to drain tube from fountain. Do not allow debris to enter tube. Level control box and secure to wall. Tighten drain connector hand tight only. Seal opening on fountain side.
9. Install a wall tube (minimum 7/8 ID not supplied) with snug fit in wall to prevent moving, so that the ends extend just inside fountain and control box. Seal opening on fountain side. Run insulated water supply and air lines through wall tube. Do not allow debris to enter tubes (Note 1a). Push water supply tube securely into connector-trim excess tubing with sharp knife only. Remove plastic nut from air diaphragm, slide onto air tube and connect to diaphragm finger tight only-trim excess tubing with sharp knife only. Do not kink, twist or bend sharply either tube.
10. Select side of control box drain is to exit. Remove knockout and glue trap in place. When gluing trap, hold outlet end against box and slide other end onto adapter as far as it will go. Line up remaining drain before gluing trap elbow to trap.
11. The water supply line (1/2" max.) is installed through the box opening on the opposite side of the drain. Do not remove the knockout. Connect the water supply to the 3/8 OD flexible tube (connector not supplied) to absorb vibrations and shocks. Failure to do so may damage valve and result in flooding. Install a shutoff valve outside the box (Note 1d).
12. Before filling fountain with insulation, operate fountain and check for water leaks and proper water drainage from water supply line (slide tube insulation apart to expose connector) and drain assembly. If no leaks join tube insulation ends and wrap with duct tape or other suitable tape (not supplied). (Note 1d)
13. Fill with insulation (Note 1c) and reinstall bottom panel on fountain. Remove knockout on drain side of cover (do not remove knockout on opposite side) and install on control box with 4-1/4 self-tapping screws (supplied).
14. Fountains were tested and adjusted at the factory. A minimum of 30 PSIG static pressure and 1.0 gallon per minute flow rate is required at the fountain control valve for proper operation. Maximum pressure not to exceed 80 PSIG.
15. The checkstop houses a filter screen. To remove for cleaning, turn off water supply to the fountain. Turn the checkstop screw clockwise until it stops. Unscrew cover (the filter screen is part of the cover assembly). To replace, screw cover on housing securely and turn the checkstop screw counterclockwise until it stops. Turn on water supply to fountain. Warning: To prevent flooding and possible bodily injury do not unscrew or remove the checkstop cover without turning off the water supply to the fountain.



OASIS INTERNATIONAL

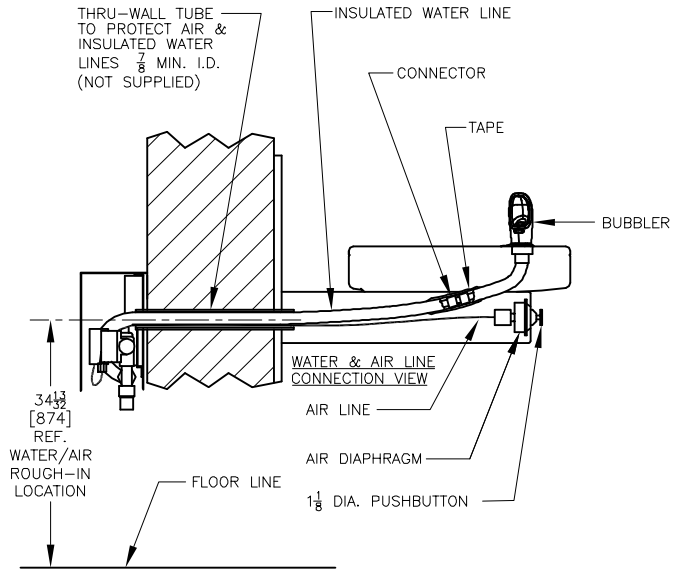
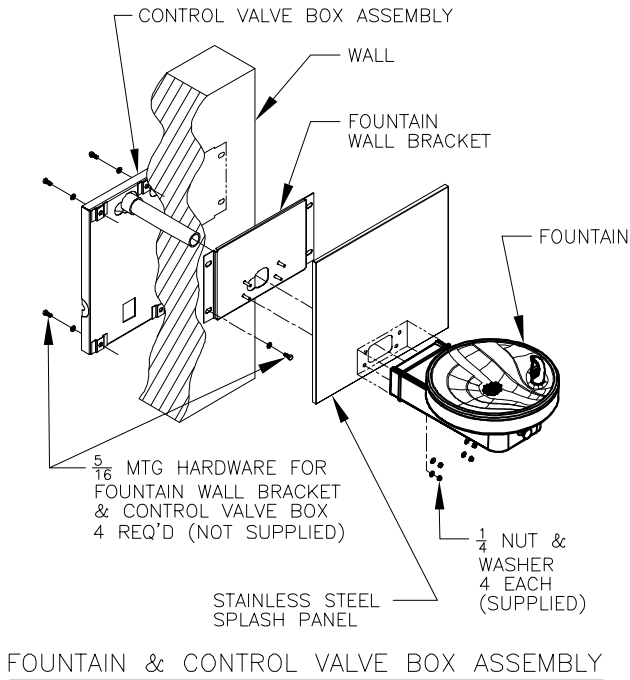
222 East Campus View Blvd. • Columbus, OH 43235 U.S.A.

1-800-950-3226

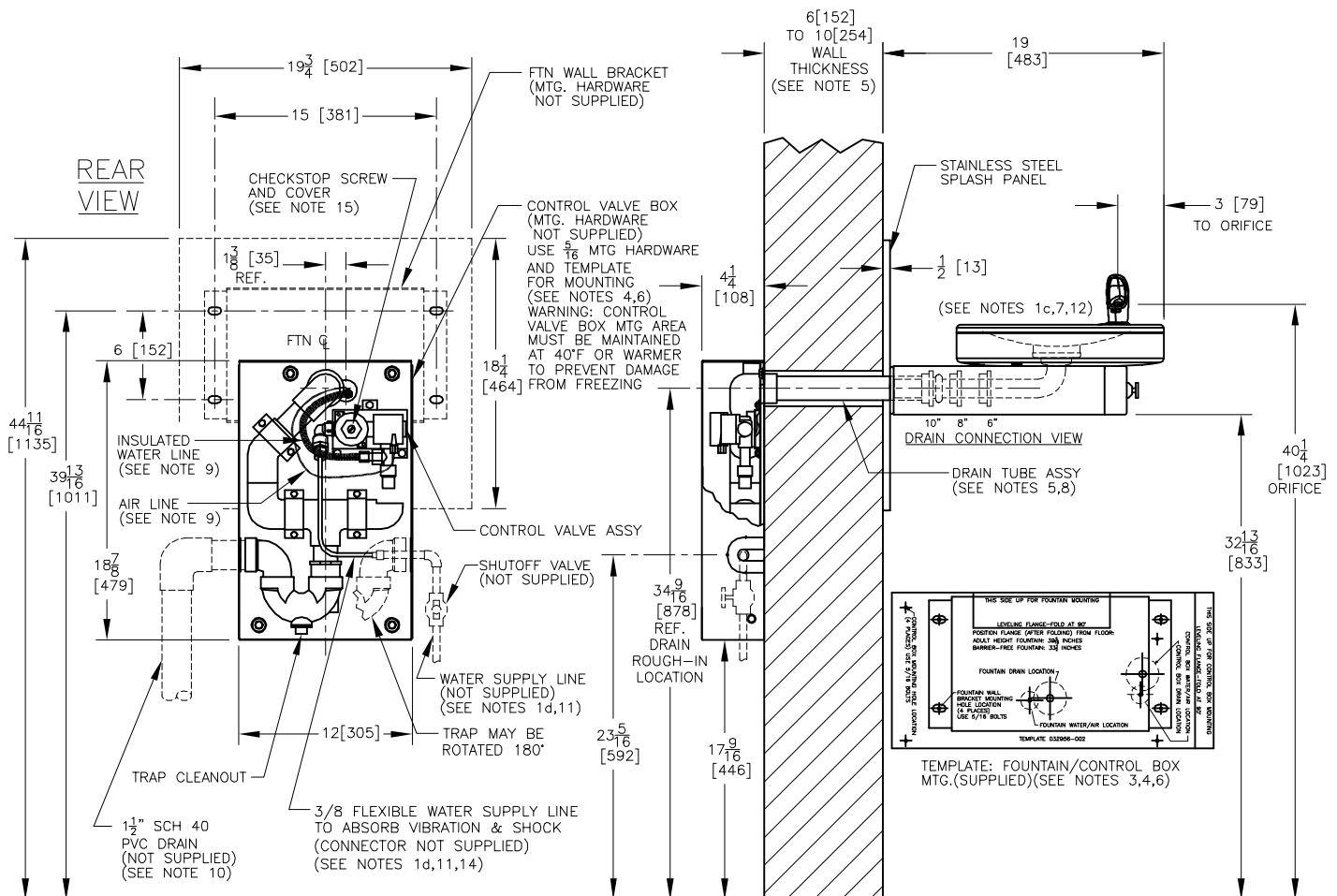
www.oasiscoolers.com

# DRINKING FOUNTAIN MODELS

## OASIS® ML110RFZ, SUNROC DFL-2011FR

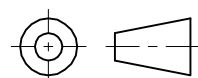


FOUNTAIN & CONTROL VALVE BOX ASSEMBLY



ALL DIMENSIONS ARE IN INCHES.  
DIMENSIONS IN BRACKETS [ ] ARE IN MILLIMETERS.

THIRD ANGLE PROJECTION



ROUGHING-IN  
AND  
DIMENSIONAL DRAWING