

MPW101

Mounting Plate Instructions

Model MPW101

Installer

To assure you install this model easily and correctly, PLEASE READ THESE SIMPLE INSTRUCTIONS BEFORE STARTING THE INSTALLATION. CHECK YOUR INSTALLATION FOR COMPLIANCE WITH PLUMBING, ELECTRICAL AND OTHER APPLICABLE CODES. After installation, keep these instructions for future reference.

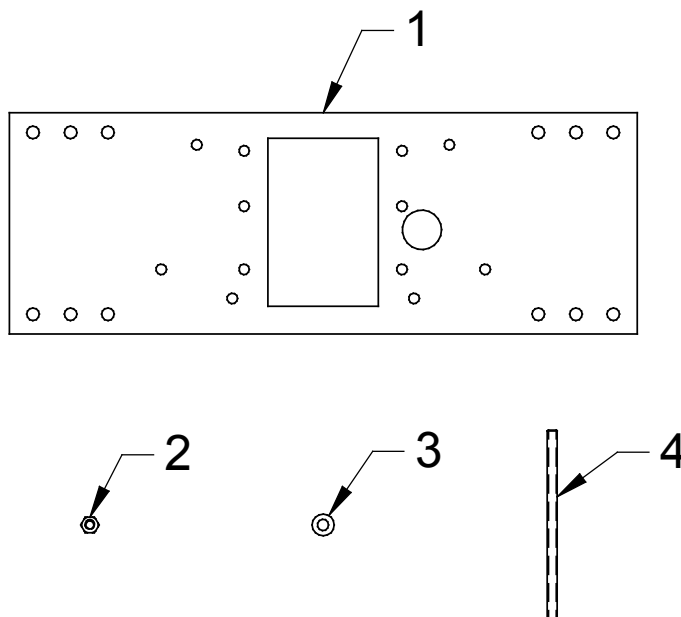
IMPORTANT

ALL SERVICE TO BE PERFORMED BY AN AUTHORIZED SERVICE PERSON

Parts List

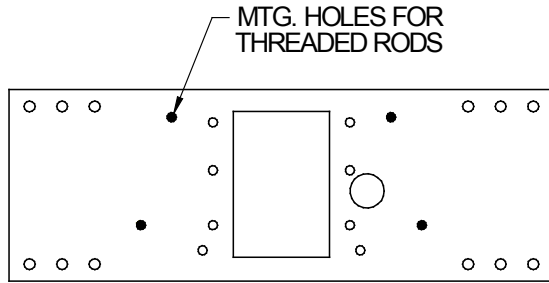
Refer to the illustration to make sure you receive all mounting plate parts. If any parts are missing, please call our Customer Care at 1.800.476.4106.

ITEM NO.	QTY.	PART NO.	DESCRIPTION
1	1	28792C	Mounting Plate
2	16	70020C	Hex Nut 5/16-18
3	16	75541C	Flat Washer .339/.359ID
4	4	75708C	Threaded Rod 5/16-18 x 6 In.

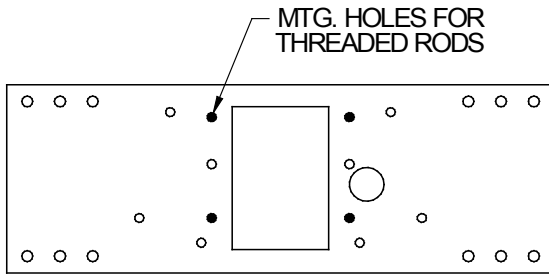


MPW101

This Mounting Plate System is designed for use with the following models:
Single HDFS Series, Single HRF Series, Single Soft Sides®, Single SwirlFlo®



**HDFS Series,
HRF Series,
SoftSides® Series**
Fig. 1

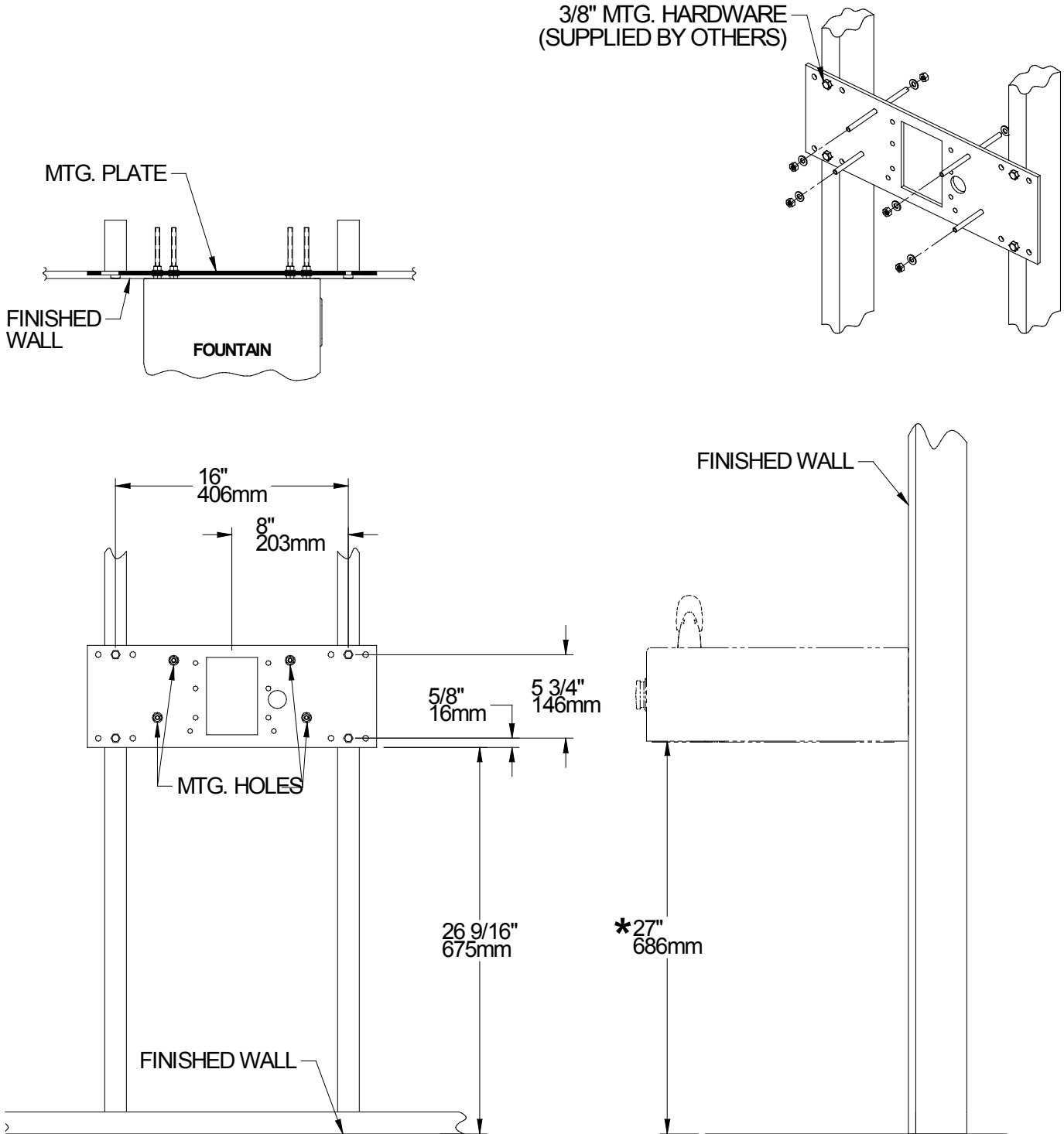


SwirlFlo® Series
Fig. 2

MPW101

HDFF Series/HRF Series/SoftSides®

When mounting plate directly to wall studs please refer to the diagrams shown below. For electrical, waste, and water supply locations please refer to the Installation/Owners manual.



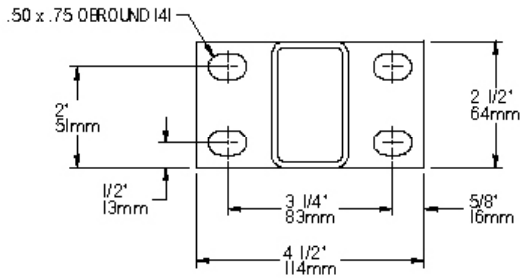
* ADA REQUIREMENT

NOTE - AFTER INSTALLATION, THREADED RODS MAY NEED TO BE TRIMMED.

MPW101

HDFF Series/HRF Series/SoftSides®

When using mounting plate with ML100 (Support Columns) please refer to the diagrams shown below. For electrical, waste, and water supply locations please refer to the Installation/Owners Manual for the specific unit.

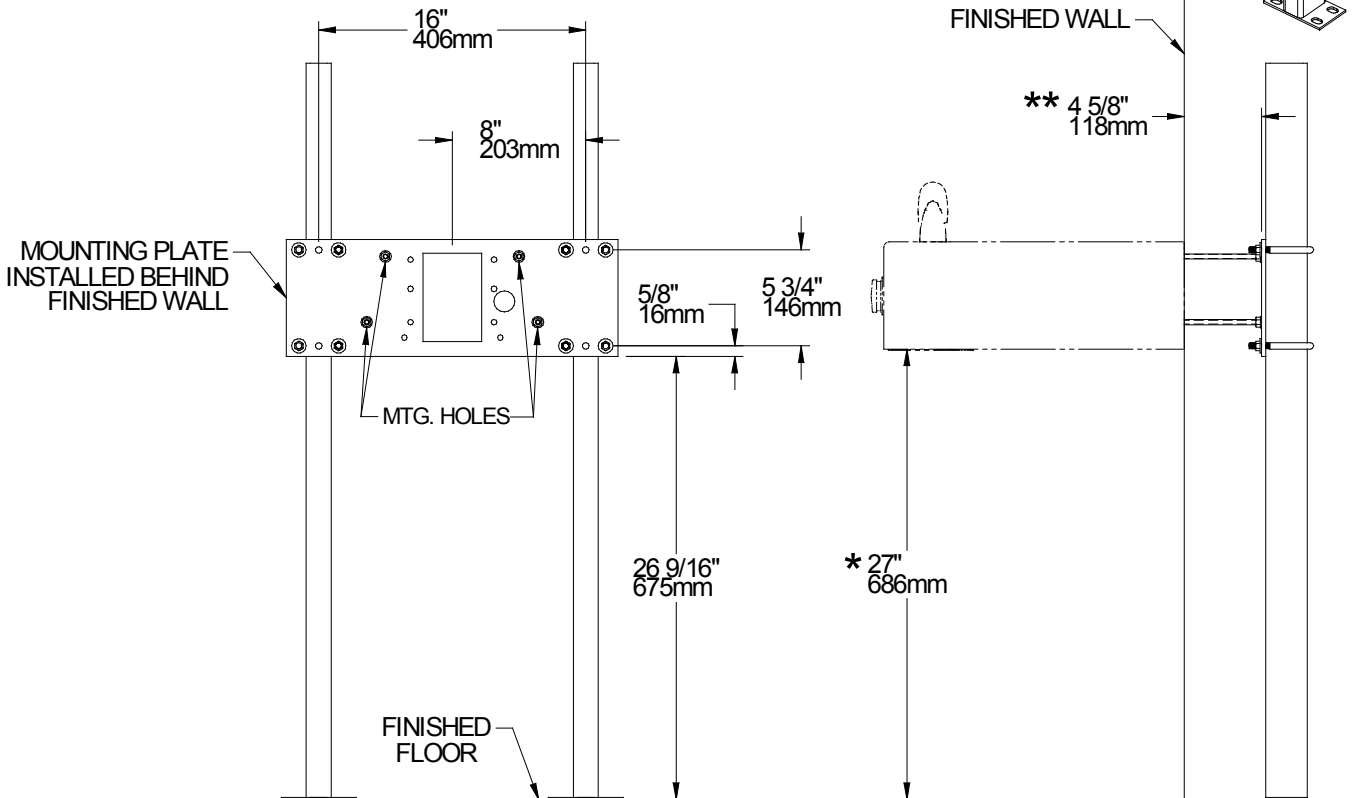
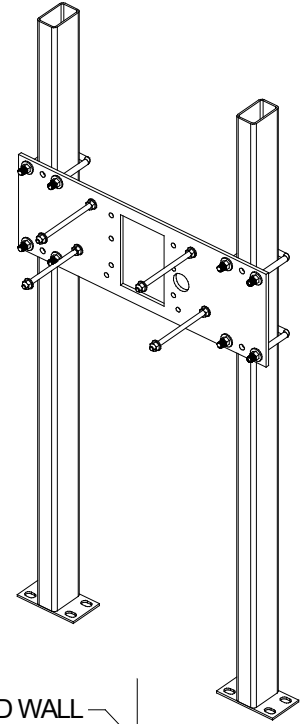


DETAIL A

U-BOLTS ARE INCLUDED WITH ML100 (SUPPORT COLUMNS)



SEE DETAIL A



* ADA REQUIREMENT

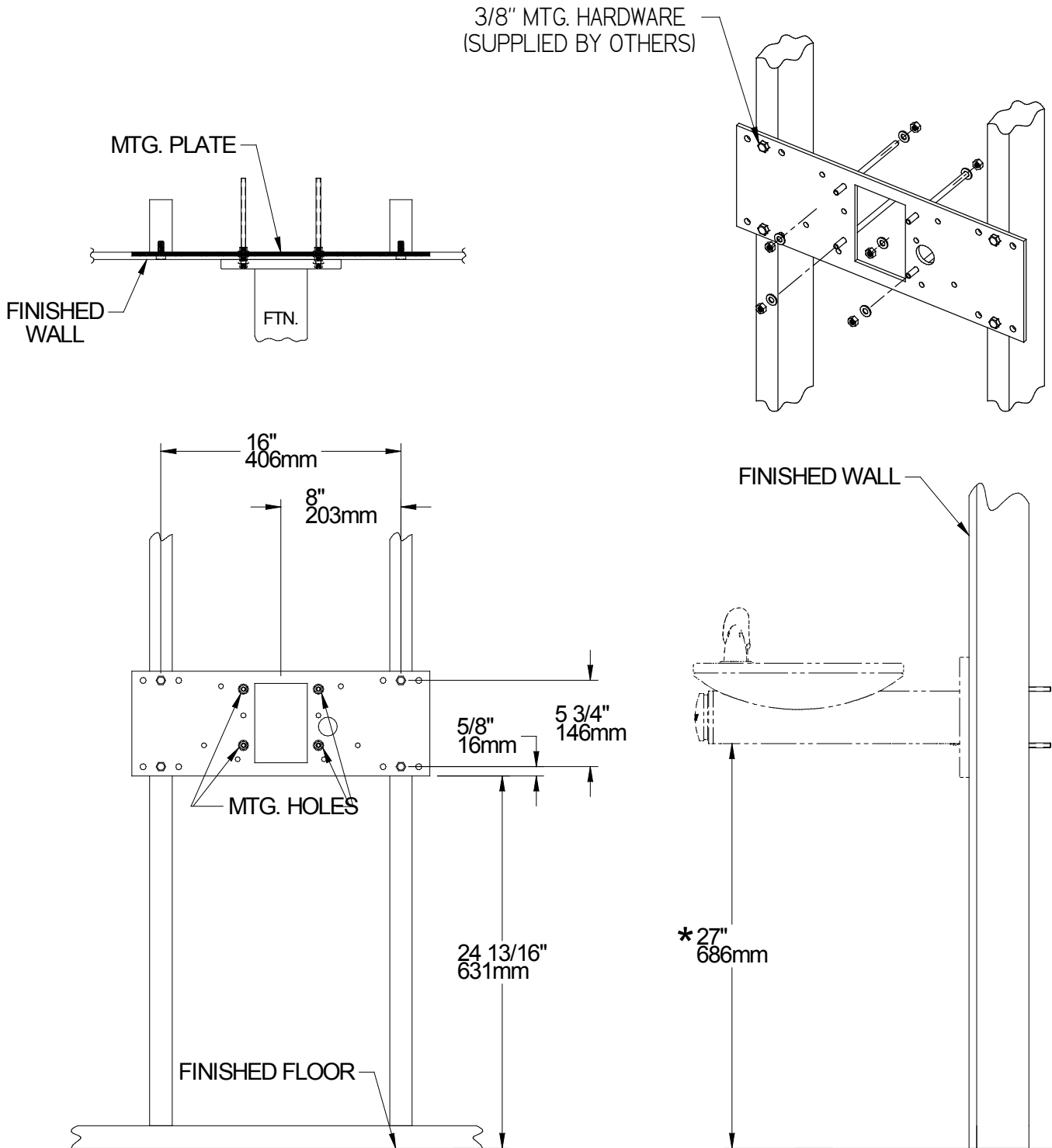
** WITH STANDARD STUD LENGTH OF 6 INCHES.

NOTE - AFTER INSTALLATION, U-BOLTS AND THREADED RODS MAY NEED TO BE TRIMMED.

MPW101

Swirlflo® Series

When mounting plate directly to wall studs please refer to the diagrams shown below. For electrical, waste, and water supply locations, please refer to the Installation/Owners Manual for the specific unit.



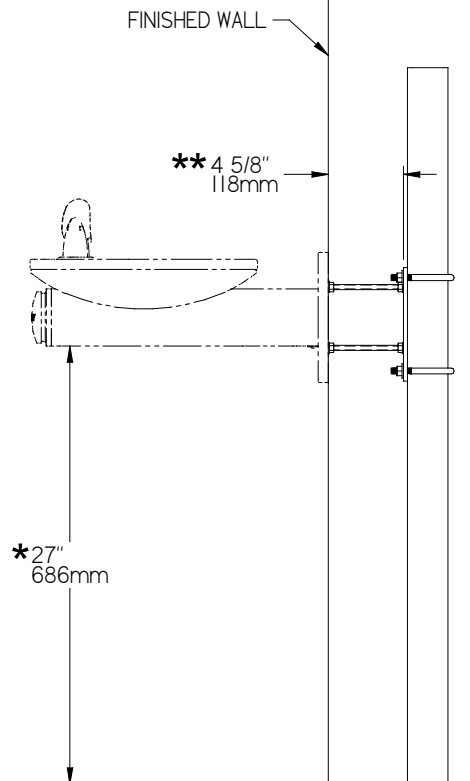
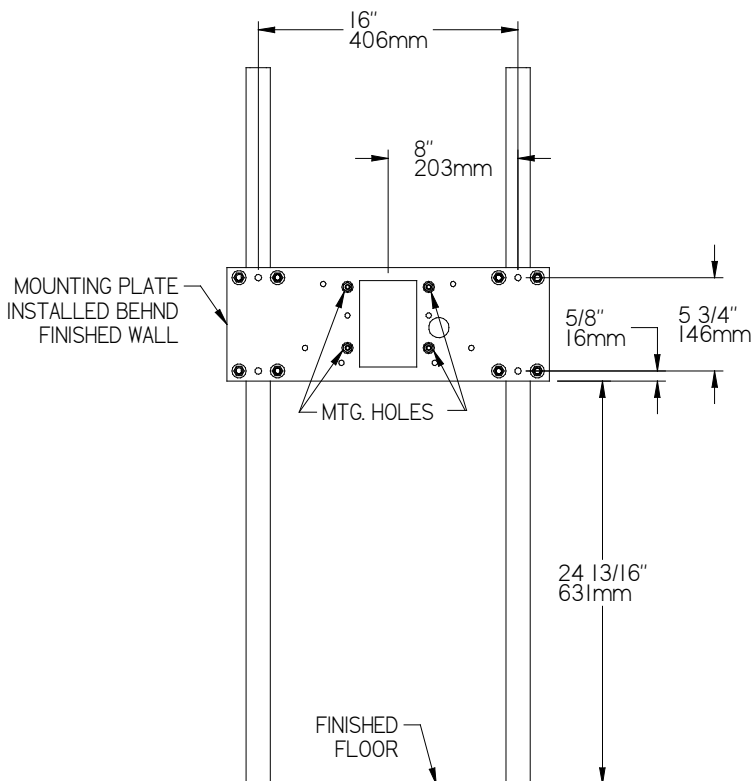
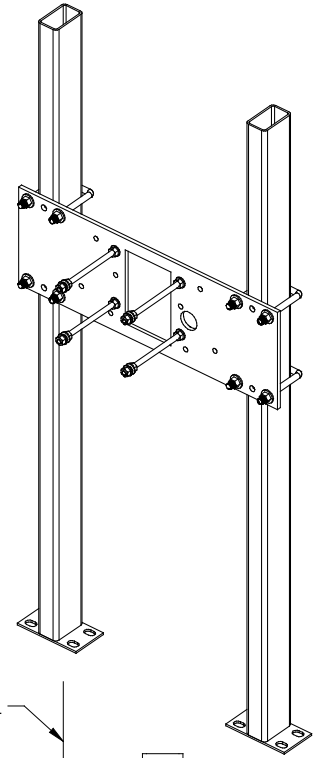
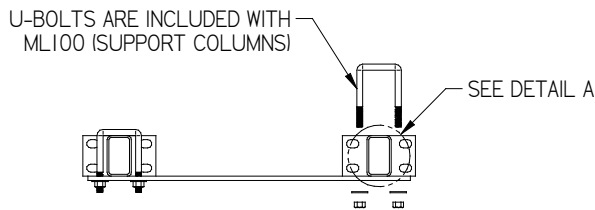
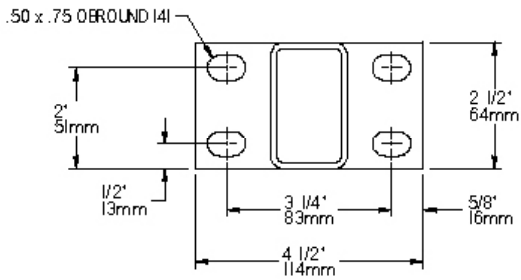
* ADA REQUIREMENT

NOTE - AFTER INSTALLATION, THREADED RODS MAY NEED TO BE TRIMMED.

MPW101

SwirFlo® Series

When using mounting plate with ML100 (Support Columns) please refer to the diagrams shown below. For electrical, waste, and water supply locations please refer to the Installation/Owners Manual for the specific unit.



* ADA REQUIREMENT

** WITH STANDARD STUD LENGTH OF 6 INCHES.

NOTE - AFTER INSTALLATION, U-BOLTS AND THREADED RODS MAY NEED TO BE TRIMMED.

For Technical Service, please contact us at 1.800.476.4106