

PRODUCT SPECIFICATIONS

Elkay Stainless Steel 6-3/8" x 6-3/8" x 4" Single Bowl Cup Drop-in Sink. Sink is manufactured from 16 gauge 316L Stainless Steel with a Buffed Satin finish, Center drain placement.

Material:	316L Stainless Steel
Special Features:	316 Stainless
Finish:	Buffed Satin
Gauge:	16
Number of Bowls:	1
Sink Dimensions:	6-3/8" x 6-3/8" x 4"
Bowl 1 Dimensions:	4" x 4" x 4"
Drain Size:	1-1/2" (38mm)
Drain Location:	Center
Template Included:	No



A Century of Tradition and Quality.

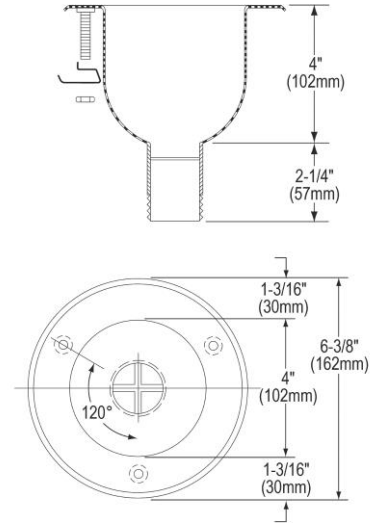
For more than 100 years, Elkay has been making innovative products and providing exceptional customer care. We take pride in offering plumbing products that make life easier, inspire change and leave the world a better place.

Product Compliance: ASME A112.19.3/CSA B45.4
Buy American Act



Sinks are listed by IAPMO[®] as meeting the applicable requirements of the Uniform Plumbing Code[®], International Plumbing Code[®], and National Plumbing Code of Canada.

[Clean and Care Manual \(PDF\)](#)
[Warranty \(PDF\)](#)



PART: _____ QTY: _____

PROJECT: _____

CONTACT: _____

DATE: _____

NOTES: _____

APPROVAL: _____

In keeping with our policy of continuing product improvement, Elkay reserves the right to change product specifications without notice. Please visit elkay.com for the most current version of Elkay product specification sheets. This specification describes an Elkay product with design, quality, and functional benefits to the user. When making a comparison of other producers' offerings, be certain these features are not overlooked.