

PRODUCT SPECIFICATIONS

Elkay Cooler Wall Mount Non-Filtered Non-Refrigerated Sandalwood. Furnished with Flexi-Guard[®] Safety Bubbler. Mechanical Top Bubbler Button activation. Product shall be Wall Mount (On Wall), for Indoor applications, serving 1 station(s). Unit shall be lead-free design which is certified to NSF/ANSI 61 & 372 (lead free) and meets Federal and State low-lead requirements.

| | |
|---------------------------------|---|
| Finish: | Sandalwood (SD) |
| Power: | No Electrical Required |
| Bubbler Style: | Flexi-Guard [®] Safety Bubbler |
| Activation by: | Mechanical Top Bubbler Button |
| Mounting Type: | Wall Mount (On Wall) |
| Chilling Capacity: | Non-refrigerated |
| Dimensions (L x W x H): | 18" x 14-1/2" x 22" |
| Approx. Shipping Weight: | 28 lbs. |
| Installation Location: | Indoor |
| No. of Stations Served: | 1 |

- Mechanically-Activated bubbler continues to supply water in event of service disruptions.



Included with Product: Water Cooler
Ships in one box.

AMERICAN PRIDE. A LIFETIME TRADITION. Like your family, the Elkay family has values and traditions that endure. For almost a century, Elkay has been a family-owned and operated company, providing thousands of jobs that support our families and communities.



PRODUCT COMPLIANCE

ASME A112.19.3/CSA B45.4

Buy American Act

NSF/ANSI 61 & 372 (lead free)



[Installation Instructions \(PDF\)](#)

Water Systems are warranted for 12 months from date of installation.

Warranty pertains to drinking water applications only. Non-drinking water applications are not covered under warranty.

[Warranty \(PDF\)](#)

PART: _____ QTY: _____

PROJECT: _____

CONTACT: _____





DATE: _____

NOTES: _____

APPROVAL: _____

Optional Accessories

In keeping with our policy of continuing product improvement, Elkay reserves the right to change product specifications without notice. Please visit elkay.com for the most current version of Elkay product specification sheets. This specification describes an Elkay product with design, quality, and functional benefits to the user. When making a comparison of other producers' offerings, be certain these features are not overlooked.

| | | |
|------------------------|--|---|
| EWF172 | Elkay WaterSentry VII Filter Kit (Coolers + Fountains) Spec Sheet (PDF) |  |
| LK1110 | Elkay Glass Filler Spec Sheet (PDF) |  |
| LK1114 | Elkay Glass Filler Chrome 2-1/2" x 10" Spec Sheet (PDF) |  |
| 97446C | Accessory - Bubbler Kit Vandal-Resistant Spec Sheet (PDF) |  |

In keeping with our policy of continuing product improvement, Elkay reserves the right to change product specifications without notice. Please visit elkay.com for the most current version of Elkay product specification sheets. This specification describes an Elkay product with design, quality, and functional benefits to the user. When making a comparison of other producers' offerings, be certain these features are not overlooked.

Open space rough-in design permits new installation or replacement of existing fountains and coolers with this Elkay cooler when rough-in is within the outline shown.

IMPORTANT! INSTALLER PLEASE NOTE:

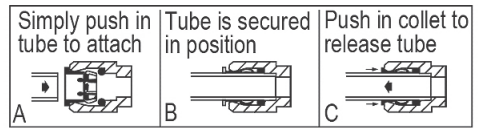
This water cooler has been designed and built to provide water to the user which has not been altered by materials in the cooler waterways.

The grounding of electrical equipment such as telephone, computers, etc to water lines is a common procedure. This grounding may be in the building or occur away from the building. This grounding can cause electrical feedback into a water cooler creating an electrolysis which creates a metallic taste or causes an increase in the metal content of the water. This condition is avoidable by installing the cooler using the proper materials as shown below.

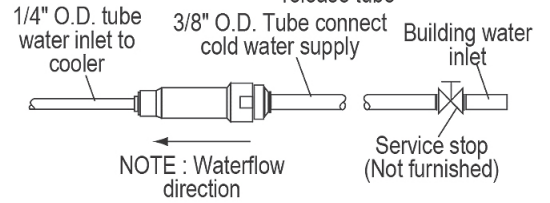
NOTICE

The water cooler must be connected to the water supply using a dielectric coupling. The cooler is furnished with a non-metallic strainer which meets this requirement. The drain trap which is provided by the installer should also be plastic to completely isolate the cooler from the building plumbing system.

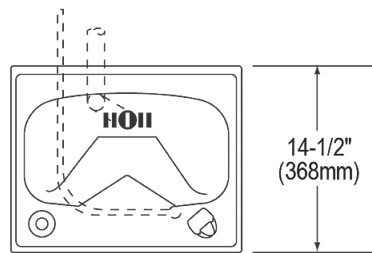
OPERATION OF QUICK CONNECT FITTINGS



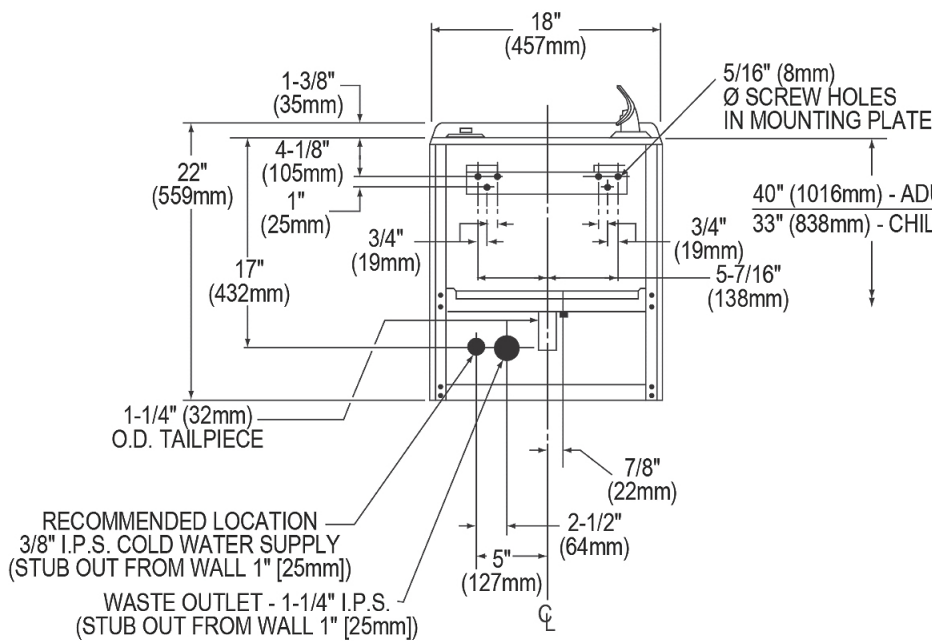
Pushing tube in before pulling it out helps to release tube



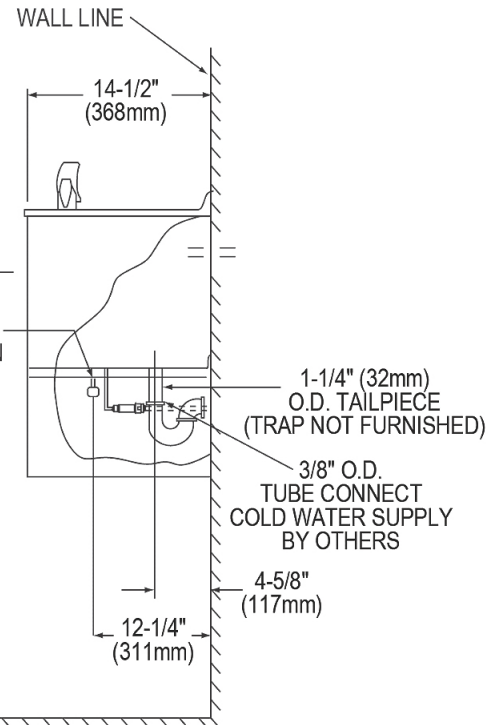
TOP VIEW



FRONT VIEW



SIDE VIEW



In keeping with our policy of continuing product improvement, Elkay reserves the right to change product specifications without notice. Please visit elkay.com for the most current version of Elkay product specification sheets. This specification describes an Elkay product with design, quality, and functional benefits to the user. When making a comparison of other producers' offerings, be certain these features are not overlooked.