

ELKAY® SPECIFICATIONS

Gourmet Double Bowl Corner Sink Model CCR3232

GENERAL

Good quality sink formed of #20 gauge, type 304 (18-8) nickel bearing stainless steel. Top mount.

DESIGN FEATURES

Bowl Depth: 6-7/8" (175mm)

Coved Corners: 3" (76mm) vertical and 2-1/4" horizontal (57mm) radius.

Rim Height: 3/16" (5mm)

Finish: Exposed surfaces are polished to a brushed satin finish

Underside: Fully undercoated to reduce condensation and dampen sound.

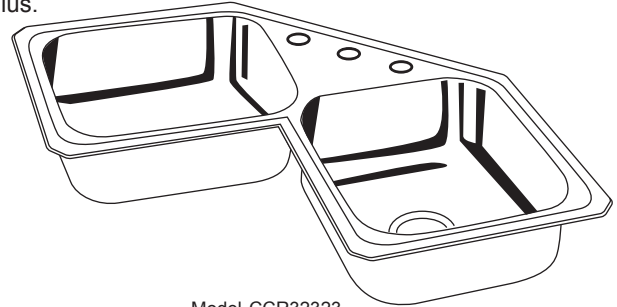
OTHER

Drain Opening: 3-1/2" (89mm)

Sink complies with ASME A112.19.3-2008 / CSA B45.4-08.



These sinks are listed by the International Association of Plumbing and Mechanical Officials as meeting the requirements of the Uniform Plumbing Code and the National Plumbing Code of Canada.



Model CCR32323

OPTIONAL ACCESSORIES

Bottom Grid: LKWBG1415SS

Cutting Boards: CB1516

Drain: LK99

Rinsing Baskets: LKWERBSS

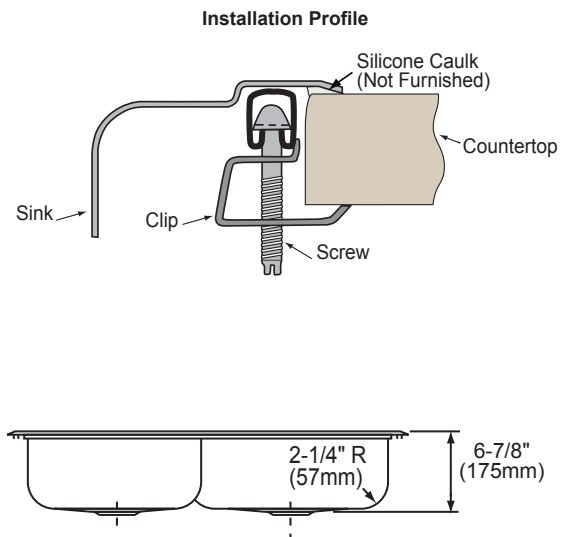
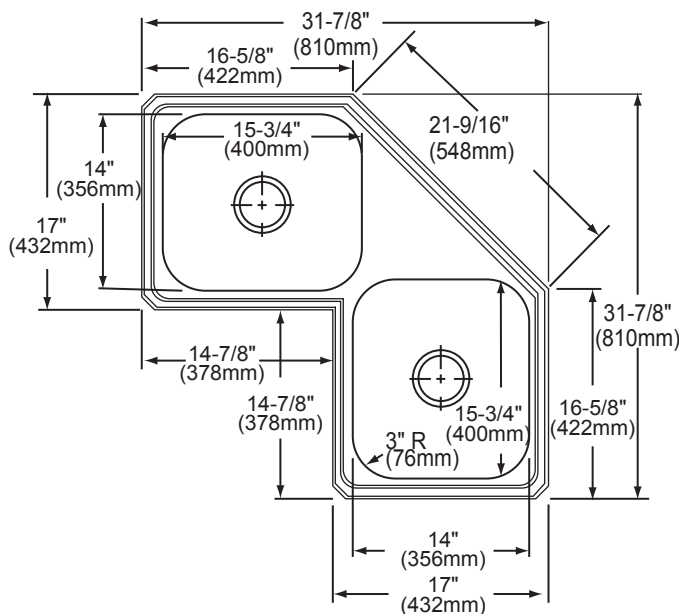
Utensil Caddy for Rinsing Basket: LKWUCSS

SINK DIMENSIONS (INCHES)*

	Overall		Inside Each Bowl			Cutout in Countertop (1-1/2"(38mm) Radius Corners) Use Sink Upside down as a Template and cut 5/16" (8mm) inside sink outline.	No. of 1-1/2"(38mm) Dia. Faucet Holes 4"(102mm) Center	Minimum Cabinet Size
	L	W	L	W	D			
CCR3232	31-7/8 (810mm)	31-7/8 (810mm)	15-3/4 (400mm)	14 (356mm)	6-7/8 (175mm)		1, 2, 3, or 4	36 (Corner) (914mm)



*Length is left to right. Width is front to back.

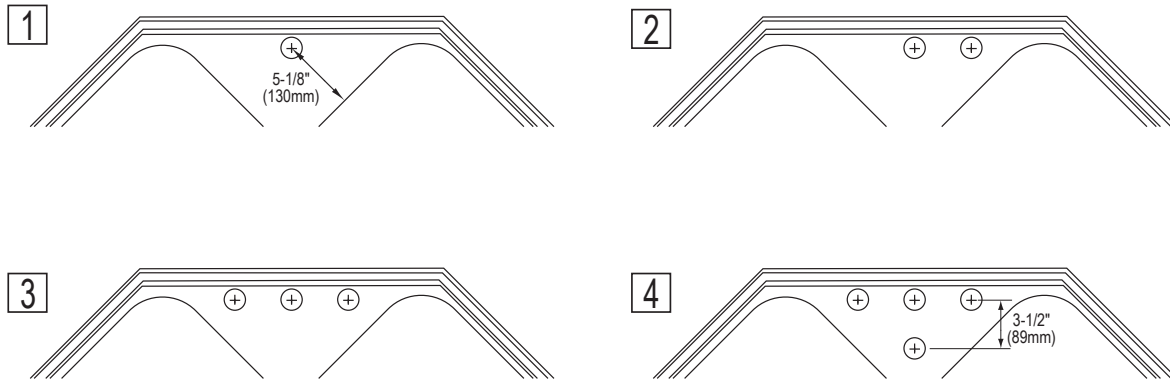


In keeping with our policy of continuing product improvement, Elkay reserves the right to change product specifications without notice.

This specification describes an Elkay product with design, quality and functional benefits to the user. When making a comparison of other producers' offerings, be certain these features are not overlooked.

Hole Drilling Configurations

1-1/2" (38mm) Diameter Faucet Holes on 4" (102mm) Centers



In keeping with our policy of continuing product improvement, Elkay reserves the right to change product specifications without notice.

This specification describes an Elkay product with design, quality and functional benefits to the user. When making a comparison of other producers' offerings, be certain these features are not overlooked.