

# ELKAY<sup>®</sup>

## SPECIFICATIONS

### Harmony<sup>®</sup> Undermount Single Bowl Sink Models ELU715 and ELUH715

#### GENERAL

Highest quality sink formed of #18 (1.2mm) gauge, type 304 (18-8) nickel bearing stainless steel. Undermount.

#### DESIGN FEATURES

Bowl Depth: 5" (141mm).

Finish (ELUH): Exposed surfaces are hand blended to a Lustrous Highlighted Satin finish.

Finish (ELU): Exposed surfaces are hand blended to a Lustrous Satin finish.

Underside: Sound dampening pads with spray undercoating to dampen sound and reduce condensation.

#### OTHER

Drain Opening: 3-1/2" (89mm).

NOTE: All Elkay undermount sinks are designed to affix to the underside of any solid surface countertop.

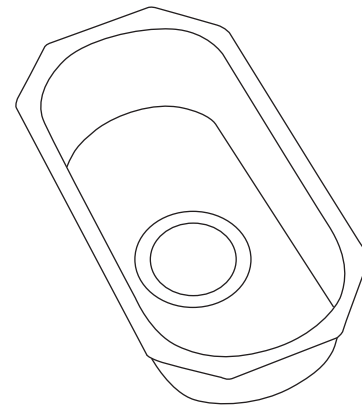
Sink complies with ASME A112.19.3/ CSA B45.4



Sinks are listed by IAPMO<sup>®</sup> as meeting the applicable requirements of the Uniform Plumbing Code<sup>®</sup>, International Plumbing Code<sup>®</sup>, and National Plumbing Code of Canada.



These sinks are compliant to ADA and ANSI/ICC A117.1 accessibility requirements when installed according to the requirements outlined in these standards.



Model ELU715

#### OPTIONAL ACCESSORIES

Cutting Boards (for ELUH715 only): CB816, CBS715.

Drain: LK99.

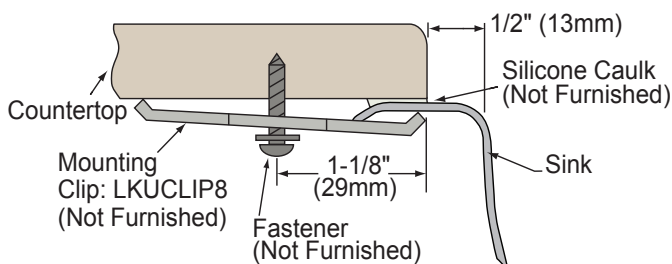
Rinsing Basket: LKWRB715SS.

Utensil Caddy for Rinsing Basket: LKWUCSS.

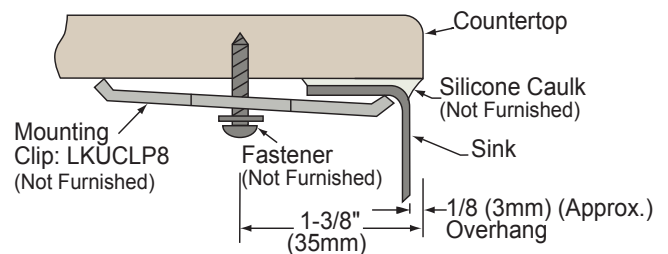
Mounting Hardware: LKUCLIP8



**Installation Profile**  
**1/2" (13mm) Reveal**  
**(ELUH Sink)**



**Installation Profile**  
**1/8" (3mm) Overhang**  
**(ELU Sink)**



In keeping with our policy of continuing product improvement, Elkay reserves the right to change product specifications without notice. Please visit [elkay.com](http://elkay.com) or [elkaypro.com](http://elkaypro.com) for the most current version of Elkay product specification sheets.

This specification describes an Elkay product with design, quality, and functional benefits to the user. When making a comparison of others producers offerings, be certain these features are not overlooked.

**Harmony® Undermount Single Bowl Sink  
Models ELU715 and ELUH715**

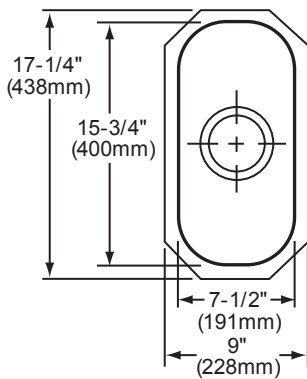
**ELKAY®  
SPECIFICATIONS**

**SINK DIMENSIONS\***

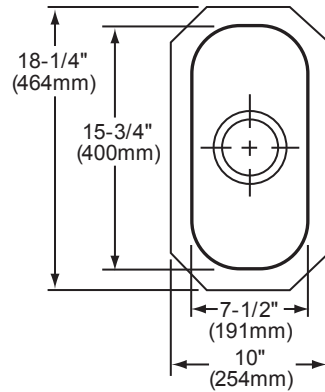
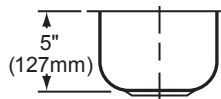
Model Number	Overall		Inside Bowl			Cutout in Countertop	Minimum Cabinet Size
	L	W	L	W	D		
ELU715	9 (228mm)	17 1/4 (438mm)	7 1/2 (191mm)	15 3/4 (400mm)	5 (127mm)	See Template**	12 (305mm)
ELUH715	10 (254mm)	18 1/4 (464mm)	7 1/2 (191mm)	15 3/4 (400mm)	5 (127mm)		15 (381mm)

\*Length is left to right. Width is front to back.

\*\*Template 74180156 (ELU715) or 74180241 (ELUH715) is packed with every sink.



Model ELU715 Illustrated



Model ELUH715 Illustrated

*In keeping with our policy of continuing product improvement, Elkay reserves the right to change product specifications without notice. Please visit [elkay.com](http://elkay.com) for the most current version of Elkay product specification sheets.*

*This specification describes an Elkay product with design, quality, and functional benefits to the user. When making a comparison of others producers offerings, be certain these featrues are not overlooked.*