

# ELKAY® SPECIFICATIONS

## Gourmet™ Double Bowl Sink Models PSR250 AND PSRQ250

### GENERAL

Fine quality sink formed of #20 (1.0mm) gauge, type 304 (18-8) nickel bearing stainless steel. Top mount.

### DESIGN FEATURES

Bowl Depth: 7-1/8" (181mm).

Coved Corners: 1-3/4" (44mm) vertical and horizontal radius.

Bowl and Faucet Deck Recess: 3/16" (5mm) below outside edge of sink.

Finish: Exposed surfaces are polished to a bright satin finish.

Underside: Fully protected by heavy duty Sound Guard® under-coating to dampen sound and prevent condensation.

### OTHER

Drain Opening: 3-1/2" (89mm).

NOTE: Unless otherwise specified, sink is furnished with 4 faucet holes as shown.

### OPTIONAL ACCESSORIES

Rinsing Baskets: LKWRB1316SS (small bowl), LKWRB1418SS (large bowl), LKWERBSS (either bowl).

Utensil Caddy for Rinsing Basket: LKWUCSS.

Bottom Grid: LKWBG1316SS (small bowl).

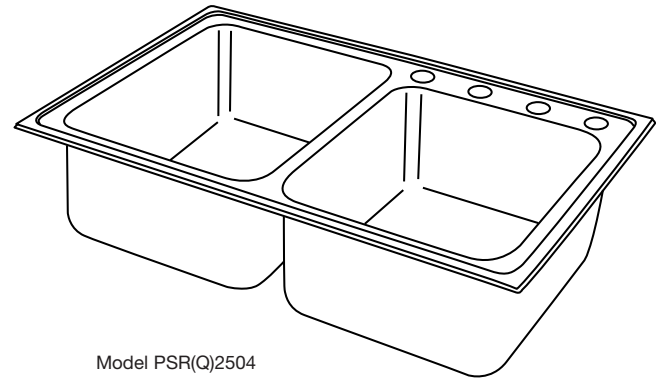
Cutting Boards: CB1613, CB1713, CBR1316, CBS1316 (small bowl), CBR1418, CBS1418 (large bowl).

Drain: LK99.

### SINK DIMENSIONS\*

U-Channel Model Number	Quick-Clip® Model Number	Overall		Inside Left Bowl			Inside Right Bowl			Cutout in Countertop [1 1/2" (38mm) Radius Corners]		No. of 1 1/2" (38mm) Dia. Faucet Holes	Minimum Cabinet Size
		L	W	L	W	D	L	W	D	L	W		
PSR250	PSRQ250	33 (838mm)	22 (559mm)	14 (356mm)	18 (457mm)	7 1/8 (181mm)	13 1/2 (343mm)	16 (401mm)	7 1/8 (181mm)	32 3/8 (822mm)	21 3/8 (543mm)	1, 2, S2, 3 or 4	36 (914mm)

\*Length is left to right. Width is front to back.

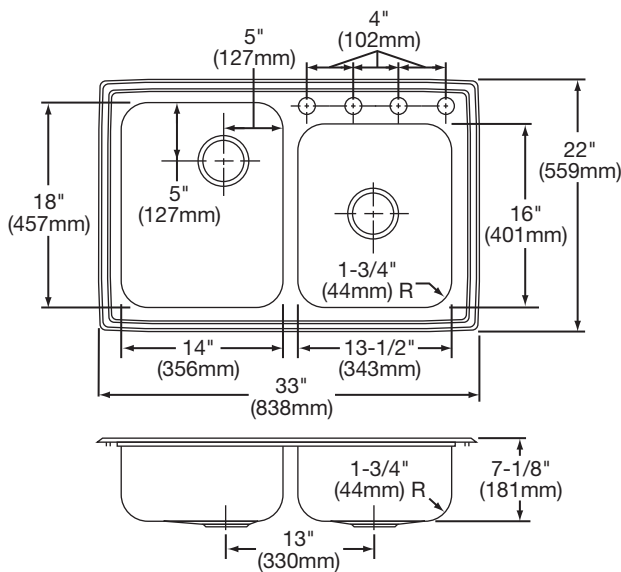


Model PSR(Q)2504

These sinks comply with ASME A112.19.3.

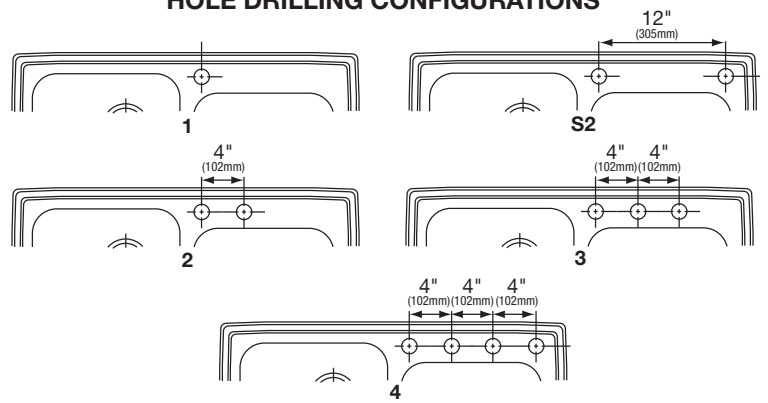


These sinks are listed by the International Association of Plumbing and Mechanical Officials as meeting the requirements of the Uniform Plumbing Code.

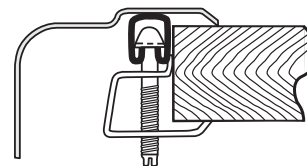


Model PSR(Q)2504 Illustrated

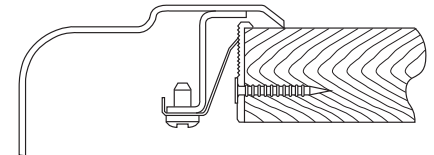
### HOLE DRILLING CONFIGURATIONS



### U-Channel Type Mounting System



### Quick-Clip® Mounting System



In keeping with our policy of continuing product improvement, Elkay reserves the right to change product specifications without notice. Please visit [elkayusa.com](http://elkayusa.com) for most current version of Elkay product specification sheets.

This specification describes an Elkay product with design, quality and functional benefits to the user. When making a comparison of other producers' offerings, be certain these features are not overlooked.