

ELKAY[®]

SPECIFICATIONS

Sink Accessories

Undermount Support Kits

LKUMSK25 AND LKUMSK36

GENERAL

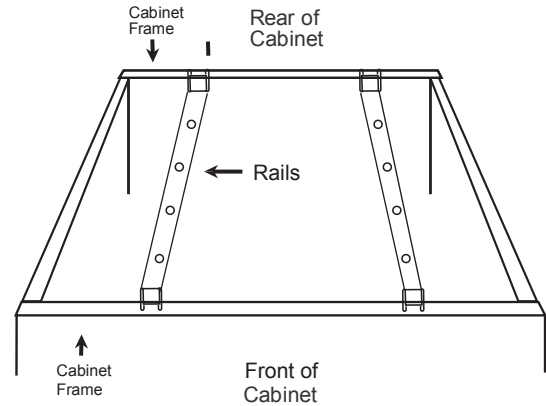
Undermount Support Kits simplify the undermount sink installation process. Recommended for use with sinks listed below. Can be used to aid in the installation of other undermount sinks. Hang the Undermount Support Kits on the cabinet walls in the front to back direction only, using the LKUMSK25 kit. The LKUMSK36 kit should only be used left to right, hung between rails that are mounted front to back.

LKUMSK25

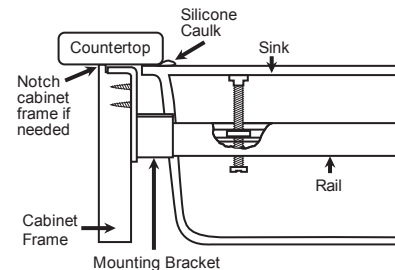
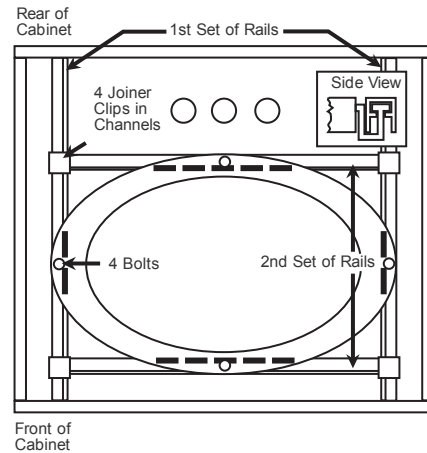
Rails provided are 25 inches long; can be cut to length as required.

LKUMSK36

Rails provided are 36 inches long; can be cut to length as required.



Part Number	Recommended Kits	Quantity
ELG1515	LKUMSK25	1
ELGU2218	LKUMSK25	2
ELGU250R	LKUMSK25 and LKUMSK36	1 each
ELGU2522	LKUMSK25	1
ELGU3322	LKUMSK25 and LKUMSK36	1 each
ELGULB3322	LKUMSK25 and LKUMSK36	1 each
ELGUS3322R	LKUMSK25 and LKUMSK36	1 each
ELQTU2218	LKUMSK25	2
ELQTU342210	LKUMSK25 and LKUMSK36	1 each
ELQTULB342210	LKUMSK25 and LKUMSK36	1 each
SWU1515	LKUMSK25	1
SWU211910	LKUMSK25	1
SWU322010 R	LKUMSK25 and LKUMSK36	1 each



In keeping with our policy of continuing product improvement, Elkay reserves the right to change product specifications without notice. Please visit elkayusa.com for most current version of Elkay product specification sheets.

This specification describes an Elkay product with design, quality and functional benefits to the user. When making a comparison of other producers' offerings, be certain these features are not overlooked.

Elkay

elkayusa.com

2222 Camden Court
Oak Brook, IL 60523

Printed in U.S.A.
©2009 Elkay

(Rev. 06/09)

15-36