



Haws®

model 1011HO

ADA Vandal-Resistant Motion-Activated/Push Button Dual Fountain

FEATURES & BENEFITS

CONSTRUCTION

Rugged ADA accessible 18 gauge Type 304 Stainless Steel swirl design bowls, 14 gauge Type 304 Stainless Steel brackets, and a vandal-resistant bottom plate provides a long lasting unit with added peace of mind.

HANDS FREE

Touchless operation for safety and peace of mind.

MOUNTING

3/16" (.47 cm) steel mounting plate with supplied mounting hardware for a solid unit base allows for easy installation to a framed wall. (P-trap and stop require rear access)

BUBBLER HEADS

Polished chrome-plated brass bubbler heads with integral laminar flow prevents splashing while providing a superior flow pattern. The integral 11/16" dia. basin shank and stainless anti-rotation roll pin for vandal resistance strength. Shielded, angled stream opening provides a steady source of drinking water at .45 gpm.

FOUNTAIN VALVES

Fountain incorporates a touchless sensor operated stainless steel solenoid valve controlled by a transformer on one side and a push-button activated valve which offers the only all stainless steel valve body that is machined out of solid bar stock and is fully serviceable through the front of the push button assembly offering access to the water control cartridge and integral water supply strainer on the other.

VANDAL RESISTANT

The bubbler heads, push button, round bowls, drain strainers and bottom plates are locked in place, discouraging unwanted vandal tampering.



SPECIFICATIONS

Model 1011HO ADA wall mounted combination motion activated/push button vandal-resistant drinking fountain shall include dual 18 gauge Type 304 Stainless Steel satin finish basins with integral swirl design, 14 gauge Type 304 Stainless Steel wall brackets, 100% lead-free waterways, touchless sensor operated solenoid valve with 30-second obstruction time-out on one side, and vandal-resistant push-button operated stainless steel valve with front accessible cartridge and flow adjustment on the other, polished chrome plated brass vandal-resistant bubbler heads with integral laminar anti squirt flow, chrome-plated brass vandal-resistant waste strainers, vandal-resistant bottom plates, stainless steel satin finish back panel, high and low fountain mounting levels, and 1-1/4" O.D. (3.2 cm) waste pipes. (P-trap and stop require rear access)

REQUIRES MODEL 6700.4 PRICED SEPARATELY.

FOR INDOOR USE ONLY

OPTIONS

- Support Frame: Model 6800 In-wall floor mounted fixture support legs, welded steel 4-bolt floor flanges, and supplied with 'U' bolts and hardware.
- Bottle Filler: Model 1920HO, bottle filler can be a standalone station, or mounted above Haws fountain.
- Access Panel: Model 6800, satin finish stainless steel access panel. Includes frame and screws.
- Support Frame: Model 6800 In-wall floor mounted fixture support legs, welded steel 4-bolt floor flanges, and supplied with 'U' bolts and hardware.

For more information, visit www.hawsc.com or call (888) 640-4297.

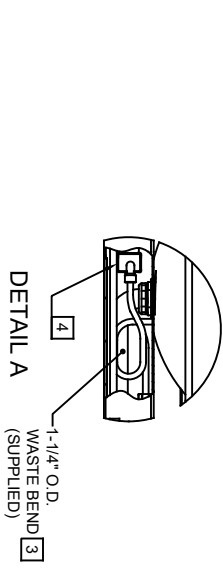
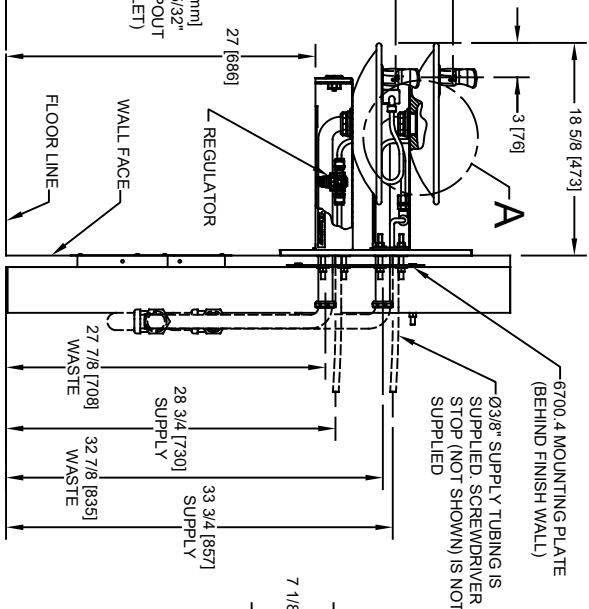
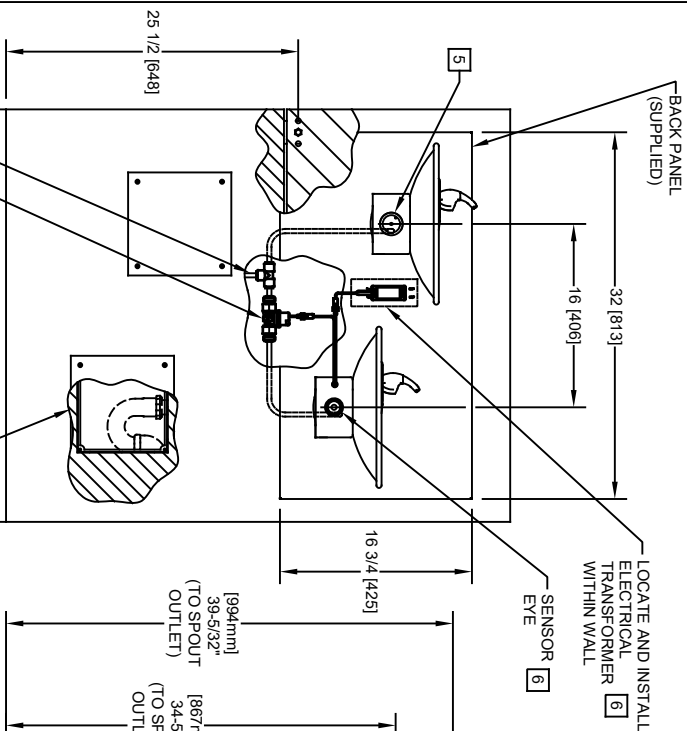
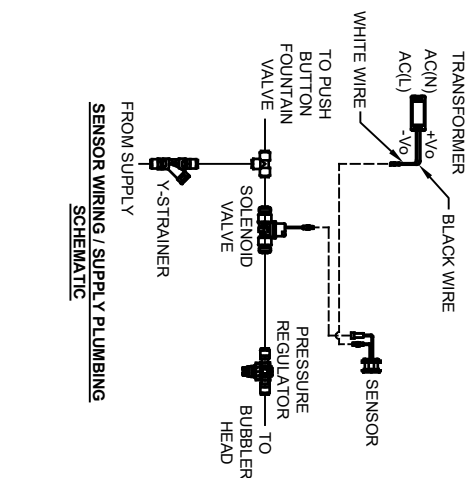
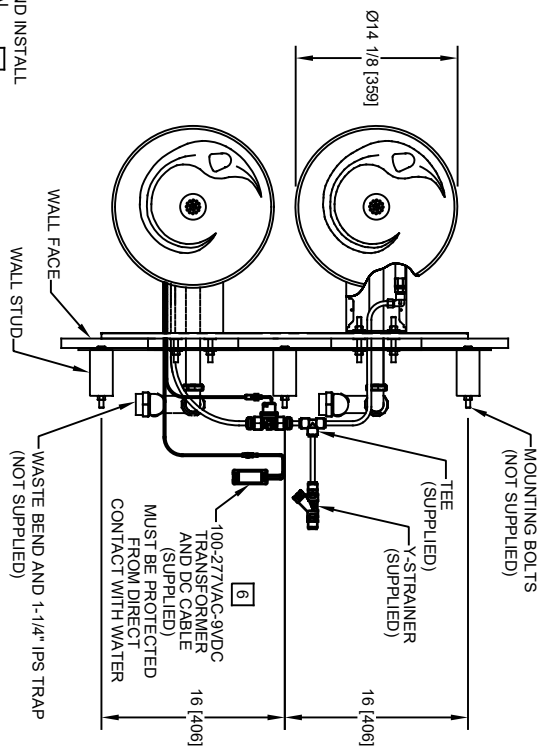
APPLICATIONS

Perfect for either public or private indoor settings, the 1011HO is a great fit in areas where aesthetics are important to the overall appeal of the architecture. Beautiful satin finish helps to maintain the fountains overall appeal. Specifically, this type of wall mounted drinking fountain may be placed in settings such as: schools and other locations in and around office buildings. Model meets all current Federal Regulations for the disabled including those in the Americans with Disabilities Act. Haws manufactures drinking fountains, faucets and electric water coolers to be lead-free by all known definitions including NSF/ANSI/CAN 61 – Section 9, NSF/ANSI/CAN 372, California Proposition 65, and the Federal Safe Drinking Water Act. Product is compliant to California Health and Safety Code 116875 (AB 1953-2006), and NSF/ANSI/CAN 61: Q ≤ 1.



NOTES:

1. HOLD ROUGH-IN DIMENSIONS $\pm 1/8"$ (3.2mm).
2. WHEN INSTALLING THIS UNIT, LOCAL, STATE, OR FEDERAL CODES SHOULD BE ADHERED TO FOR INSTALLATION DIMENSIONS (LOCATIONS), WASTE AND SUPPLY REQUIREMENTS OTHER THAN SHOWN.
3. INSTALLER MUST PROVIDE TRAP FOR PROPER INSTALLATION.
4. REMOVE VALVE FROM PUSH BUTTON TO INSTALL WASTE ELBOW ONTO BOWL. AFTER WASTE ELBOW IS INSTALLED, REINSTALL VALVE AND ADJUST FLOW.
5. REFER TO 5874 SERIES OPERATION AND MAINTENANCE MANUAL FOR PUSH BUTTON AND VALVE INSTALLATION/MAINTENANCE INSTRUCTIONS.
6. REFER TO 1RKH0.H & 2RKH0.H OPERATION AND MAINTENANCE INSTRUCTIONS FOR TRANSFORMER AND SENSOR SETUP.



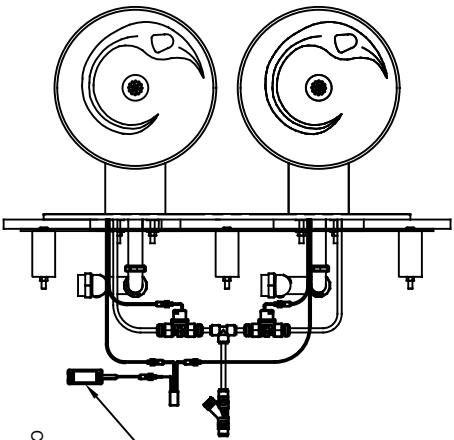
6700.4 MOUNTING PLATE MUST BE INSTALLED BEFORE FINISH WORK. THIS PLATE IS REQUIRED - SOLD SEPARATELY.

MODEL 1011HO/1011HPSHO SHOWN
MODEL 1011HO2/1011HPSHO2 ON SHEET 2
(ROUGH-IN DIMENSIONS APPLY TO ALL 4 MODELS)

1456 KLEPPE LANE
SPARKS, NEVADA, 89431
(775) 359-4712 FAX (775) 359-7424
E-MAIL: HAWS@HAWS.CO.COM
WEBSITE: WWW.HAWS.CO.COM

| | |
|------------------------|-------------------------------------|
| ECN NO. REVISED PERBY: | MODEL(S) |
| 5579 | 1011HO/1011HO2/1011HPSHO/1011HPSHO2 |
| DATE: 09/15/20 | |
| CHKD: FV | |
| DATE: 04/23/21 | |
| APPROVED: BIM | |
| SCALE: 1:1 | DRAWING TYPE: INSTALLATION |
| SHEET: 1 OF 2 | |

PART NUMBER: 0510001066.D
REVISION: 2



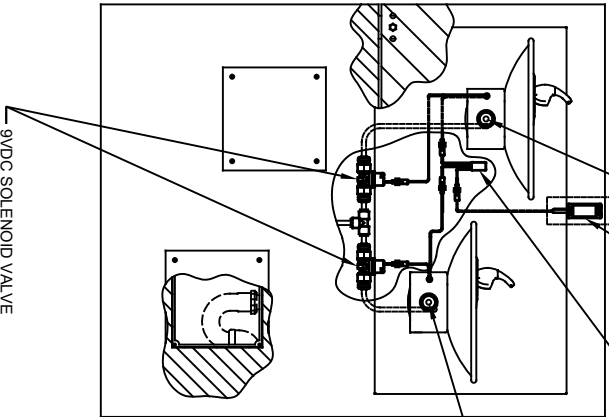
100-277VAC 9VDC TRANSFORMER AND HO CABLE (SUPPLIED) MUST BE PROTECTED FROM DIRECT CONTACT WITH WATER [6]

LOCATE AND INSTALL ELECTRICAL TRANSFORMER [6] WITHIN WALL

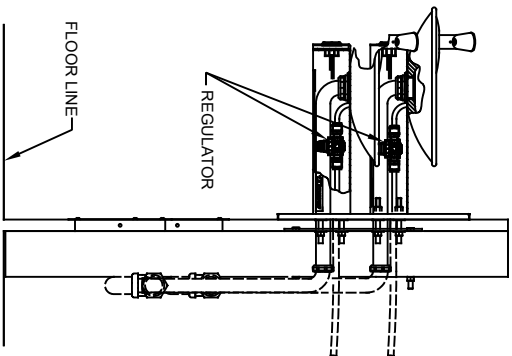
[6] SENSOR 7 EYE

POWER SPLITTER CABLE [6]

SENSOR [6] EYE

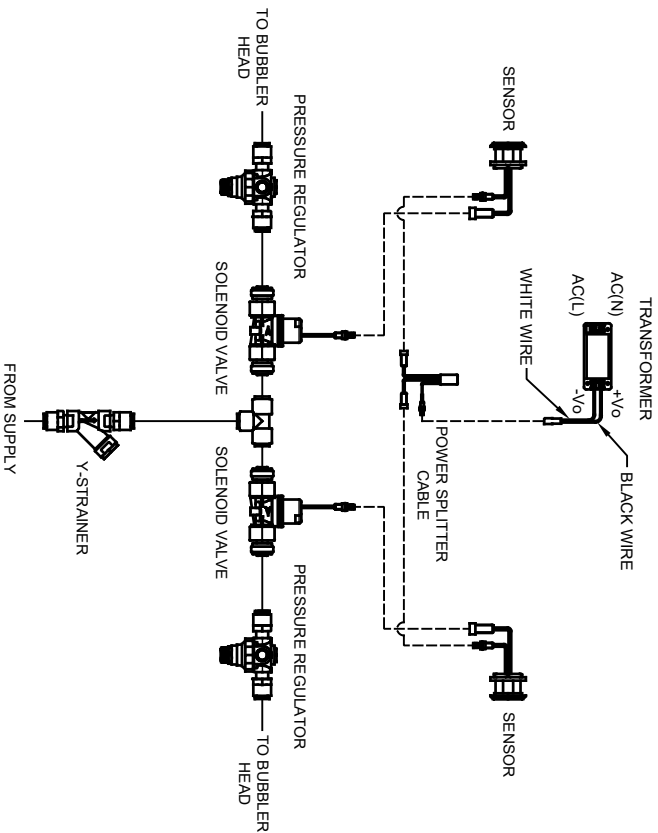


9VDC SOLENOID VALVE



REGULATOR

FLOOR LINE



SENSOR WIRING / SUPPLY PLUMBING SCHEMATIC



Haws

1456 KLEPPE LANE
SPARKS, NEVADA, 89431
(775) 359-4712 FAX (775) 359-7424
E-MAIL: HAWS@HAWSCO.COM
WEBSITE: WWW.HAWSCO.COM

MODEL 1011HO2/1011HPSHO2 SHOWN
MODEL 1011HO/1011HPSHO ON SHEET 1
(SEE SHEET 1 FOR APPLICABLE ROUGH-IN DIMENSIONS)

| | | | | | | |
|-------------------------|-------------------------------------|--------------|---------------|---------------|--------|--------|
| ECN NO. REVISED PER BY: | MODEL(S) | SCALE: | DRAWING TYPE: | INSTALLATION: | SHEET: | 2 OF 2 |
| 5579 ECN: 5978 DP | 1011HO/1011HO2/1011HPSHO/1011HPSHO2 | 1:1 | | | | |
| DATE: 09/15/20 | CHK'D: | | | | | |
| FV: 09/15/20 | FV: | | | | | |
| APPROVED: BJM | DATE: 04/23/21 | | | | | |
| PART NUMBER | | 0510001066.D | | | | |
| REVISION | | 2 | | | | |