

## FEATURES & BENEFITS

### CONSTRUCTION

Rugged ADA accessible 18 gauge Type 304 Stainless Steel swirl design bowls, 14 gauge Type 304 Stainless Steel brackets, and a vandal-resistant bottom plate provides a long lasting unit with added peace of mind.

### HANDS FREE

Touchless operation for safety and peace of mind.

### MOUNTING

Galvanized frame and 10-gauge surface plate provide the maximum mounting strength, and allows front access of P-trap and stop.

### BUBBLER HEADS

Polished chrome-plated brass bubbler heads with integral laminar flow prevents splashing while providing a superior flow pattern. The integral 11/16" dia. basin shank and stainless anti-rotation roll pin for vandal resistance strength. Shielded, angled stream opening provides a steady source of drinking water at .45 gpm.

### FOUNTAIN VALVES

Fountain incorporates touchless sensor operated stainless steel solenoid valves controlled by a transformer for hands-free operation. A pressure regulator is used to adjust the bubbler flow according to incoming water pressures.

### VANDAL RESISTANT

The bubbler heads, round bowls, drain strainers and bottom plates are locked in place, discouraging unwanted vandal tampering.

### CUSTOM LOGO PANEL

Personalize your new or existing fountain or bottle filler where space permits with an optional customizable 10" high by 4.25" wide stainless steel panel. Virtually any company logo, event logo or graphic can be placed on this panel.

## OPTIONS

- Remote Drinking Fountain Water chiller: Model HCR8, 8 gph (30.3 L) remote water chiller provides instantaneous cooling to meet a continuous demand for chilled water.
- Bottle Filler: Model 1920HO, bottle filler can be a stand-alone station, or mounted above Haws, 1011, series drinking fountain models.
- Custom Logo Panel: Model 6475, Hydration By Haws" logo panel with customization options.

For more information, visit [www.hawsc.com](http://www.hawsc.com) or call (888) 640-4297.



## SPECIFICATIONS

Model 1011MSH02 ADA vandal-resistant wall mounted motion activated drinking fountain shall include dual 18 gauge Type 304 Stainless Steel satin finish basins with integral swirl design, 14 gauge Type 304 Stainless Steel wall brackets, stainless steel satin finish back and access panels allowing for front access of P-trap and stop, in-wall mounting frame, touchless sensor operated stainless steel solenoid valves with 30 second obstruction time-out controlled by a transformer, 100% lead-free waterways, polished chrome-plated brass vandal-resistant bubbler heads with integral laminar anti-squirt flow, chrome-plated brass vandal-resistant waste strainers, vandal-resistant bottom plates, high and low fountain mounting levels, and 1-1/4" O.D. (3.2cm) waste pipes.

**REQUIRES MODEL MTGFR.DF2 PRICED SEPARATELY**

**FOR INDOOR USE ONLY**

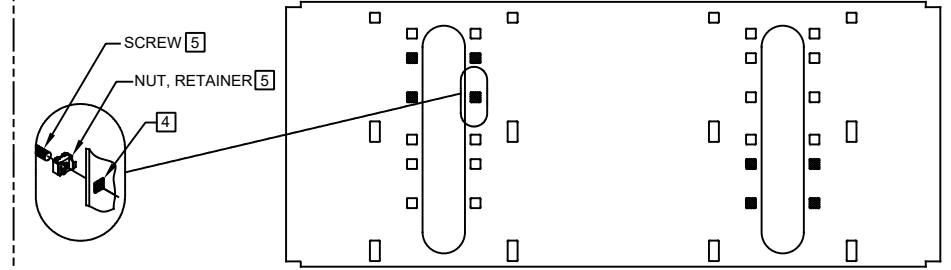
## APPLICATIONS

Perfect for either public or private indoor/outdoor settings, Model 1011MSH02 is a great fit in areas where aesthetics are important to the overall appeal of the architecture. This series is precisely mounted, making it a nice addition to any surrounding. Beautiful satin finish helps to maintain the fountains overall appeal so it always remains looking as new as it did when it was installed. Specifically, this type of wall mounted drinking fountain may be placed in settings such as: schools and other locations in and around office buildings where the temperature remains above freezing. Model meets all current Federal Regulations for the disabled including those in the Americans with Disabilities Act. Haws manufactures drinking fountains, faucets and electric water coolers to be lead-free by all known definitions including NSF/ANSI/CAN 61- Section 9, NSF/ANSI/CAN 372, California Proposition 65, and the Federal Safe Drinking Water Act. Product is compliant to California Health and Safety Code 116875 (AB 1953-2006), and NSF/ANSI/CAN 61: Q ≤ 1.

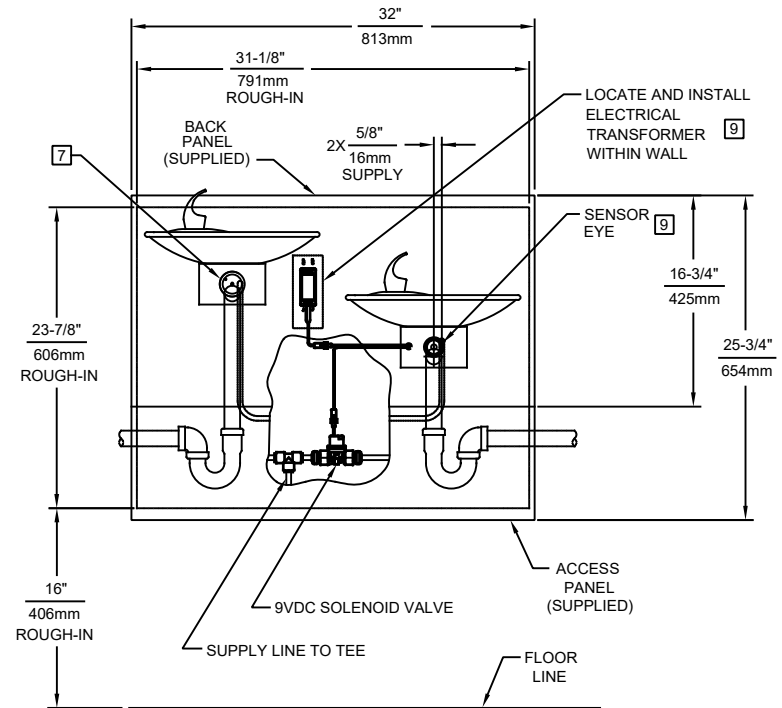
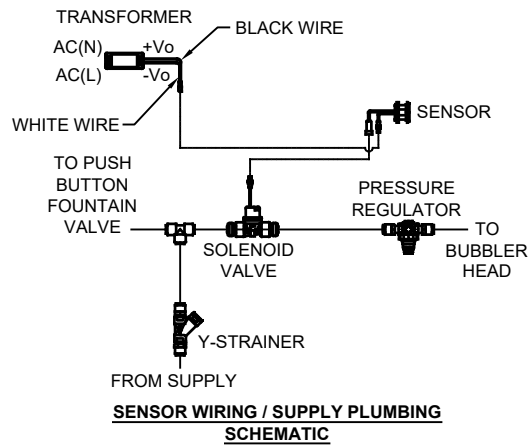


**NOTES:**

1. HOLD ROUGH-IN DIMENSIONS  $\pm 1/8"$  (3.2mm).
2. WHEN INSTALLING THIS UNIT, LOCAL, STATE, OR FEDERAL CODES SHOULD BE ADHERED TO FOR DIMENSIONS (LOCATIONS), WASTE AND SUPPLY REQUIREMENTS OTHER THAN SHOWN.
3. INSTALLER MUST PROVIDE TRAP (NOT SUPPLIED) FOR PROPER INSTALLATION.
4. HOLE COMBINATION SHOWN IS FOR USE WITH LOW FOUNTAIN ON THE RIGHT AND HIGH FOUNTAIN ON THE LEFT. USE OPPOSITE HOLES FOR HIGH ON RIGHT AND LOW ON LEFT.
5. TO CHANGE FOUNTAIN MTG. SCREW LOCATIONS: FIRST REMOVE SCREWS AND THEN SQUEEZE CLIPS ON NUT RETAINER TO POP OUT. SNAP INTO NEW POSITIONS FROM BACKSIDE AND RE-ASSEMBLE SCREWS.
6. IMPORTANT: A L.H. LOW (OPTIONAL) CONFIGURATION WILL REQUIRE A DIFFERENT BACK PANEL AND THE WASTE AND SUPPLY DIMENSIONS SHOWN (\*) MUST BE REVERSED.
7. REFER TO 5874 SERIES OPERATION AND MAINTENANCE MANUAL FOR PUSH BUTTON AND VALVE INSTALLATION/MAINTENANCE INSTRUCTIONS.
8. REMOVE VALVE FROM PUSH BUTTON TO INSTALL WASTE ELBOW ONTO BOWL. AFTER WASTE ELBOW IS INSTALLED, REINSTALL VALVE AND ADJUST FLOW.
9. REFER TO 1RKHO.H & 2RKHO.H OPERATION AND MAINTENANCE INSTRUCTIONS FOR TRANSFORMER AND SENSOR SETUP.



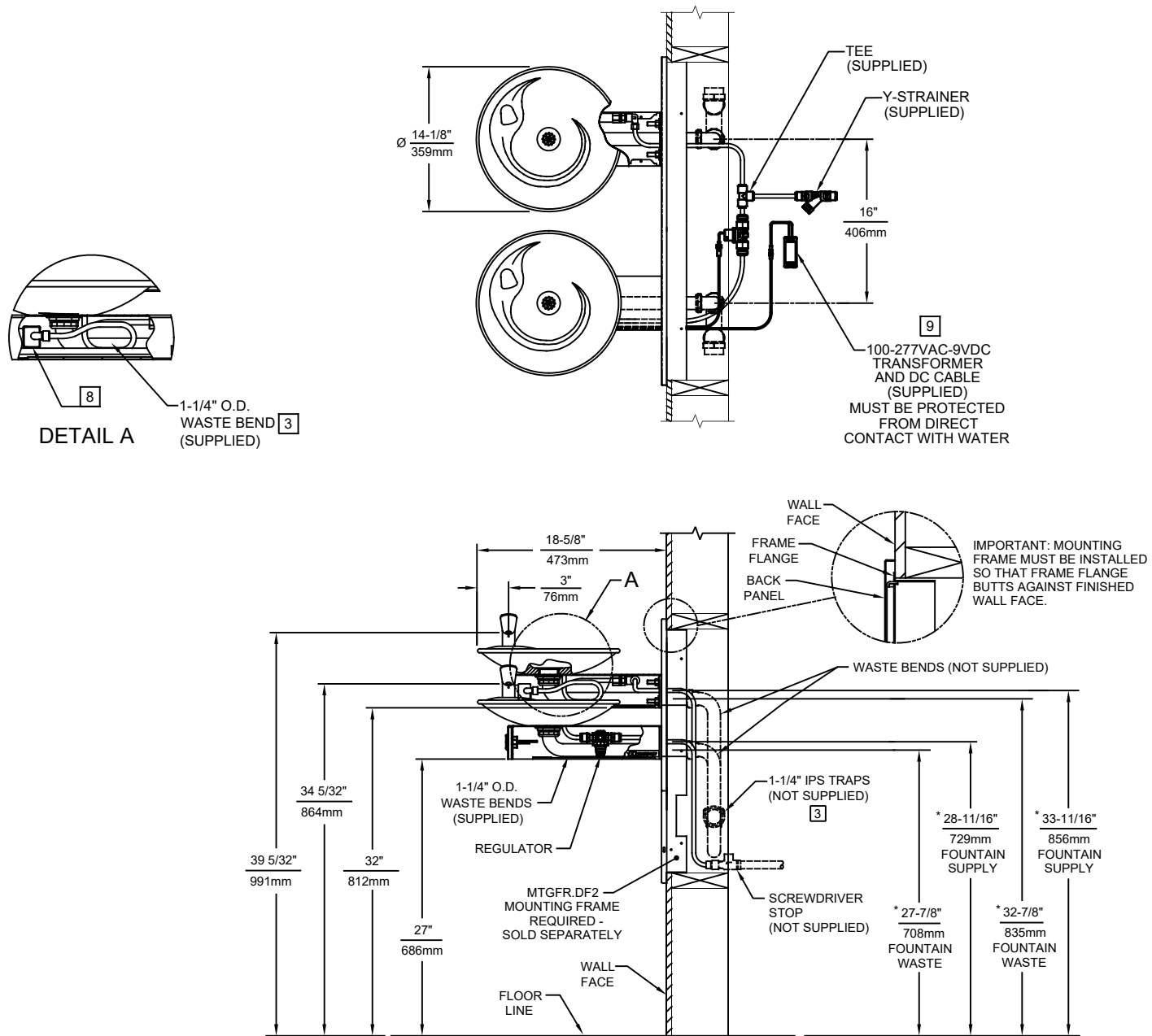
**BOWL MOUNTING PATTERN DETAIL**




MODEL 1011MSHO SHOWN  
 MODEL 1011MSHO2 ON SHEET 3  
 (ROUGH-IN DIMENSIONS APPLY TO BOTH MODELS)

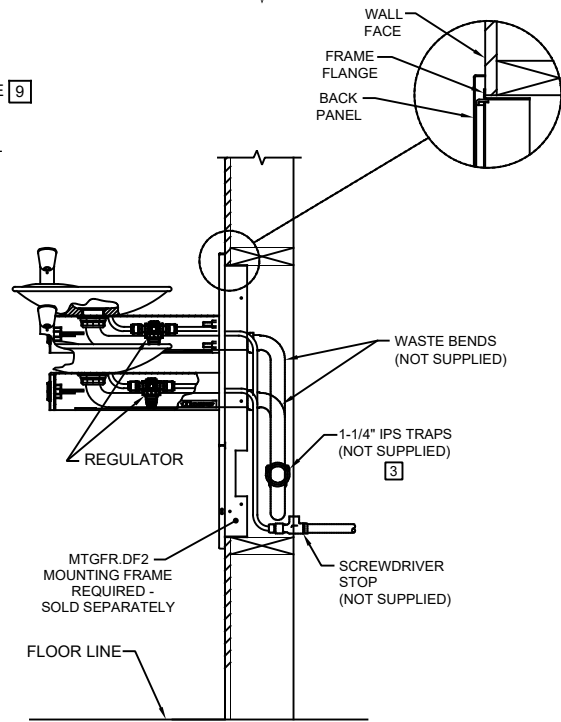
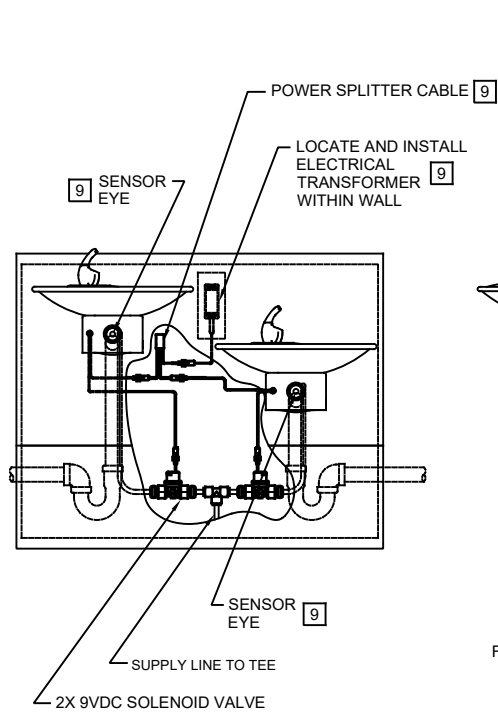
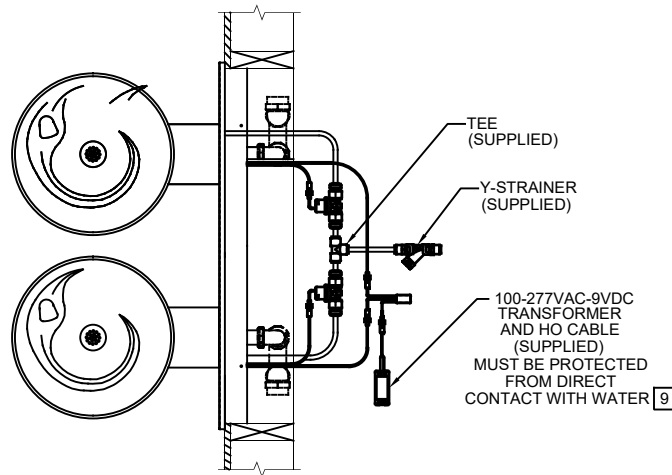
1455 KLEPPE LANE  
 SPARKS, NEVADA 89431  
 (775) 359-4712 FAX (775) 359-7424  
 E-MAIL: HAWS@HAWSCO.COM  
 WEBSITE: WWW.HAWSCO.COM

ECN NO. 5701	REVISED PER ECN: 5701	BY: FV	MODEL(S)	PART NUMBER
DRAWN: FV	DATE: 05/27/21	CHKD.: DP	1011MSHO/1011MSHO2	0510001206.D
APPROVED: FV	DATE: 06/02/21			REVISION
			SCALE: 1:16	DRAWING TYPE: INSTALLATION
			SIZE: A	SHEET 1 OF 3

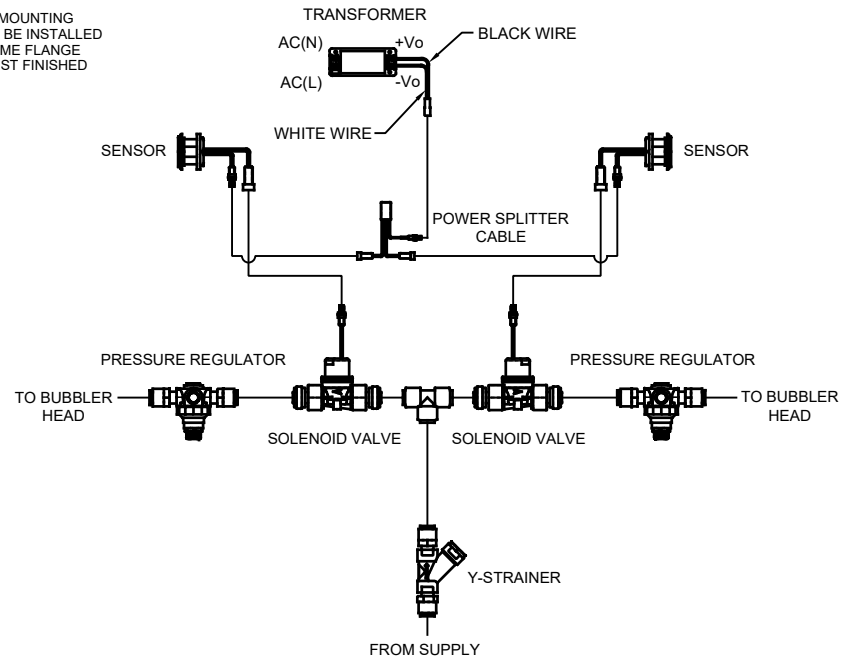


MODEL 1011MSHO SHOWN  
 MODEL 1011MSHO2 ON SHEET 3  
 (ROUGH-IN DIMENSIONS APPLY TO BOTH MODELS)

		1455 KLEPPE LANE SPARKS, NEVADA 89431 (775) 359-4712 FAX (775) 359-7424 E-MAIL: HAWS@HAWSCO.COM WEBSITE: WWW.HAWSCO.COM	
		ECN NO. 5701 DRAWN: FV APPROVED: FV	REVISED PER: ECN: 5701 DATE: 05/31/21 DATE: 06/02/21
PART NUMBER 0510001206.D			REVISION 1
SCALE: 1:16		DRAWING TYPE: INSTALLATION	SIZE: A SHEET 2 OF 3



IMPORTANT: MOUNTING FRAME MUST BE INSTALLED SO THAT FRAME FLANGE BUTTS AGAINST FINISHED WALL FACE.



**SENSOR WIRING / SUPPLY PLUMBING SCHEMATIC**

MODEL 1011MSHO2 SHOWN  
 MODEL 1011MSHO ON SHEETS 1 AND 2  
 (SEE SHEETS 1 AND 2 FOR APPLICABLE ROUGH-IN DIMENSIONS)

		<b>Haws</b> ®		1455 KLEPPE LANE SPARKS, NEVADA 89431 (775) 359-4712 FAX (775) 359-7424 E-MAIL: HAWS@HAWS.CO.COM WEBSITE: WWW.HAWS.CO.COM	
				ECN NO. 5701 DRAWN: FV APPROVED: FV	REVISED PER: ECN: 5701 DATE: 08/01/21 DATE: 06/02/21
SCALE: 1:1		DRAWING TYPE: INSTALLATION		SIZE: A SHEET 3 OF 3	