



# model 1920HPSHO

Vandal-Resistant Motion-Activated Polished Bottle Filler

## FEATURES & BENEFITS

### BOTTLE FILLER VALVE

Bottle filler incorporates a touchless sensor operated stainless steel solenoid valve controlled by a transformer for handsfree operation. A pressure regulator is used to adjust the bubbler flow according to incoming water pressures.

### CONSTRUCTION

Unit is made of 14 gauge Type 304 high polished stainless steel with a satin finish that resists stains and corrosion, and has soft rounded corners. Unit features vandal-resistant bottom plate and dispensing nozzle.

### LAMINAR FLOW

Adjustable, splash-free, 1 gpm (3.78 L) laminar water flow.

### EFFICIENT & FLEXIBLE INSTALLATION

Unit is designed for retrofit or new construction applications. No drain required for mounting over existing drinking fountain.

### DURABLE BUILD

Good for indoor applications. Made with 100% Stainless Steel for vandal resistance.

### MOUNTING OPTIONS

Select from mounting plate and back panel models to complete installation. Unit can mount on various wall types.

### TAMPER RESISTANT

30-second obstruction time-out to reduce tampering of sensor, and vandal-resistant bottom plate.



## SPECIFICATIONS

Model 1920HPSHO motion-activated wall mounted vandal-resistant bottle filler shall include 100% lead-free waterways, high polished stainless-steel construction, touchless sensor operated stainless steel solenoid valve with 30-second obstruction time-out controlled by a transformer, 1 gpm (3.78 L) laminar flow. It can be used as a stand-alone station or mounted above the Haws 1001HPS and 1011HPS series drinking fountains.

## FOR INDOOR USE ONLY APPLICATIONS

## OPTIONS

Mounting Plate: Model 6700R on-wall mounting plate is used with the 1920 series bottle fillers for single or dual fountain retrofit installations.

Back Panel: Model BP15HPS, high polished stainless steel 15 inch back panel for Model 1920HPSHO over single fountains.

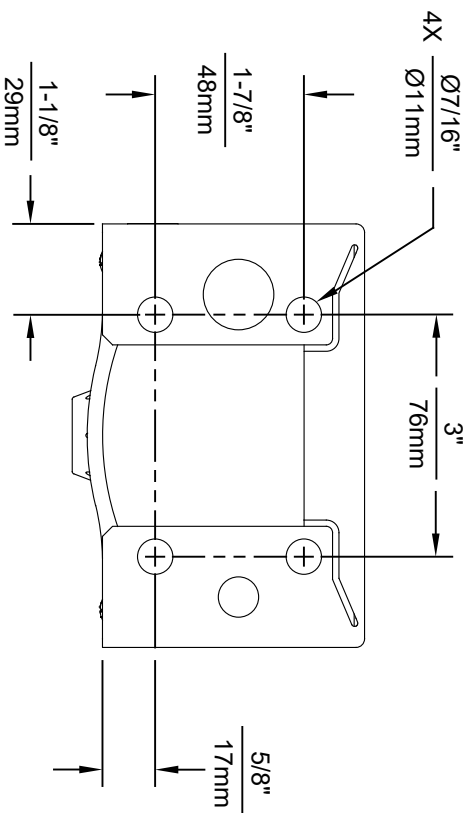
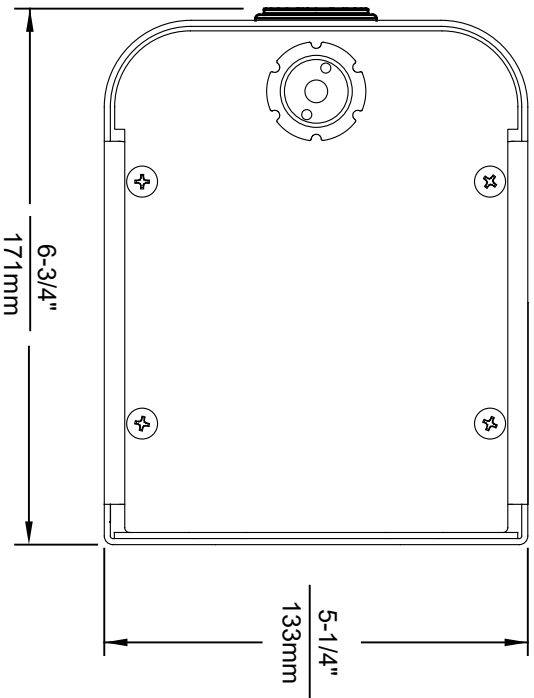
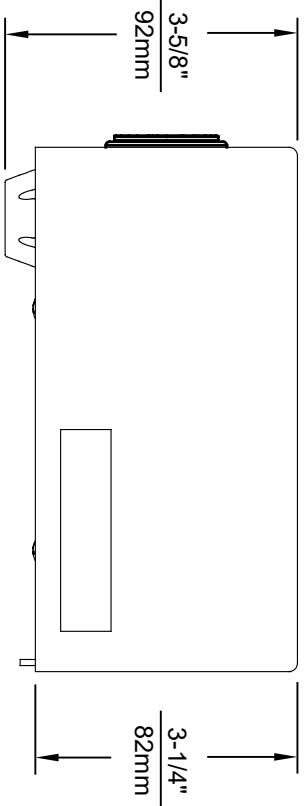
Back Panel: Model BP32HPS, high polished stainless steel 32" back panel for model 1920HPSHO bottle filler over dual fountains.

Mounting Plate: Model 6700 in-wall mounting plate is used with the 1920 series bottle fillers for single or dual fountain retrofit installations.

For more information, visit [www.hawsc.com](http://www.hawsc.com) or call (888) 640-4297.

This type of wall mounted bottle filler may be placed in settings such as schools and other locations in and around office buildings with existing fountain installations where the temperature remains above freezing. Haws manufactures drinking fountains, faucets and electric water coolers to be lead-free by all known definitions including NSF/ANSI/CSA 61-Section 9, NSF/ANSI/CSA 372, California Proposition 65, and the Federal Safe Drinking Water Act. Product is compliant to California Health and Safety Code 116875 (AB 1953-2006), and NSF/ANSI/CAN 61: Q ≤ 1.

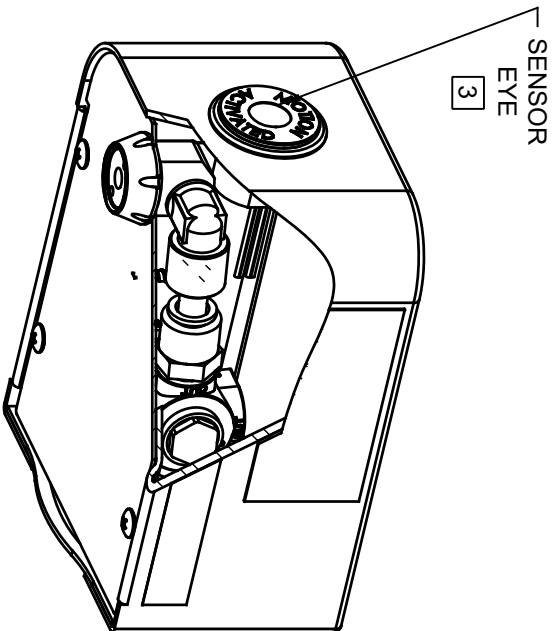




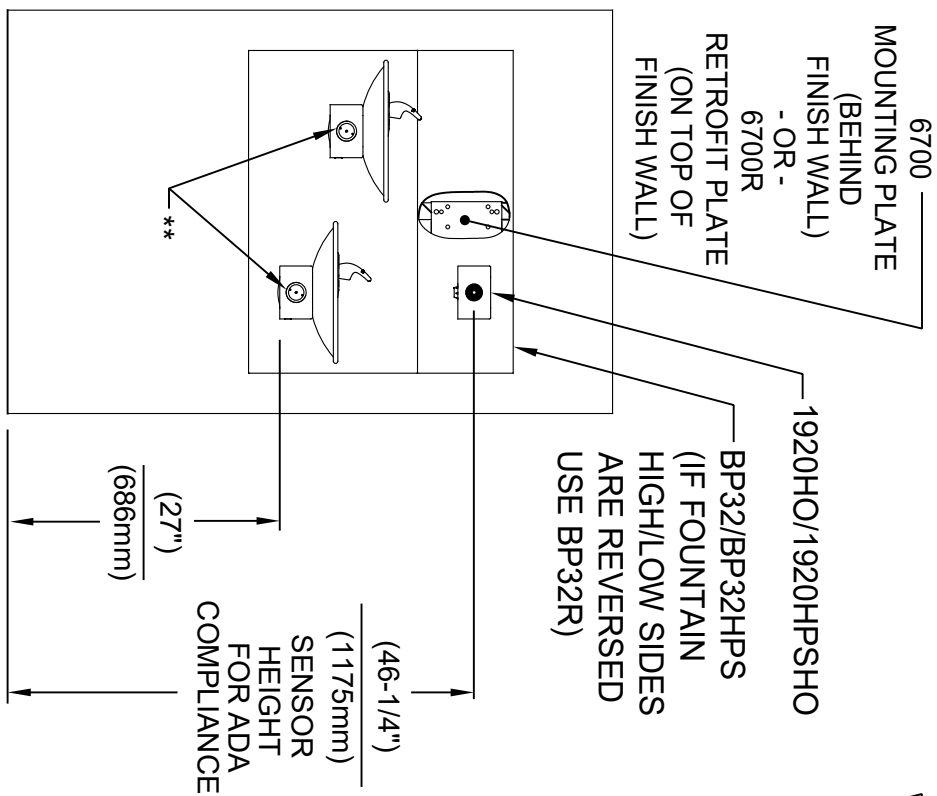
1920HO SERIES MOUNTING HOLE LOCATIONS  
(3/8\"-16 UNC MOUNTING HARDWARE NOT SUPPLIED)

NOTES:

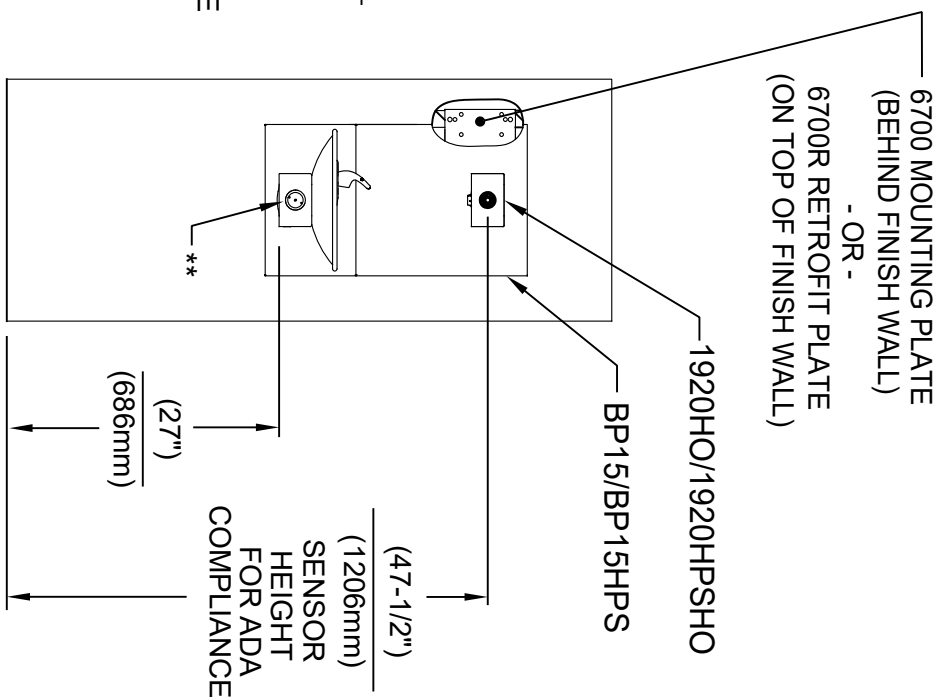
1. SEE SEPARATE INSTALLATION DRAWINGS FOR MOUNTING PLATES AND BACKPANELS
2. WHEN INSTALLING THIS UNIT, LOCAL, STATE OR FEDERAL CODES SHOULD BE ADHERED TO FOR INSTALLATION LOCATIONS, WASTE AND SUPPLY REQUIREMENTS OTHER THAN SHOWN.
3. REFER TO 1RKHO.H OPERATION & MAINTENANCE INSTRUCTIONS FOR SENSOR SETUP.



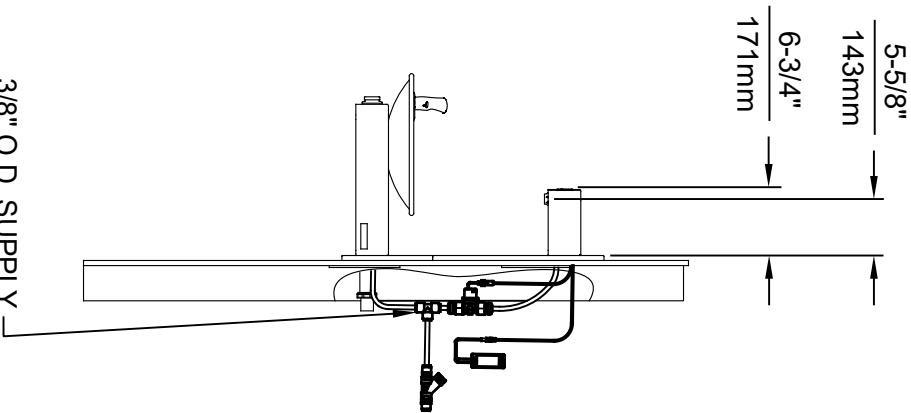
		<b>Haws</b>	
1459 KLEPPE LANE SPARKS, NEVADA, 89431 (775) 359-4712 FAX (775) 359-7424 E-MAIL: HAWS@HAWSCO.COM WEBSITE: WWW.HAWSCO.COM		MODEL(S) 1920HO/1920HPPSHO/1920WHO	
ECN NO. REVISED PER BY:	5574 ECN:5693 BJM	DATE:	09/18/20
DRAWN:	FV	CHK'D:	FV
APPROVED:	BJM	DATE:	09/18/21
SCALE:	N/A	DRAWING TYPE:	INSTALLATION
SIZE:	A	SHEET:	1 OF 6
PART NUMBER	0510001063.D	REVISION:	4



**INSTALLATION ABOVE HAWS 1011 & H1011.8 SERIES**

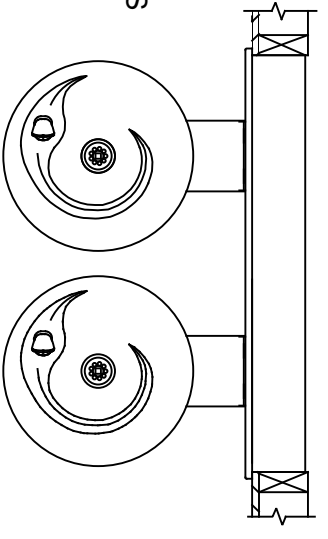


**INSTALLATION ABOVE HAWS 1001 & H1001.8 SERIES**



3/8" O.D. SUPPLY TUBING AND 3/8" O.D. PUSH-IN TEE SUPPLIED. (CONNECT TO FOUNTAIN SUPPLY LINE)

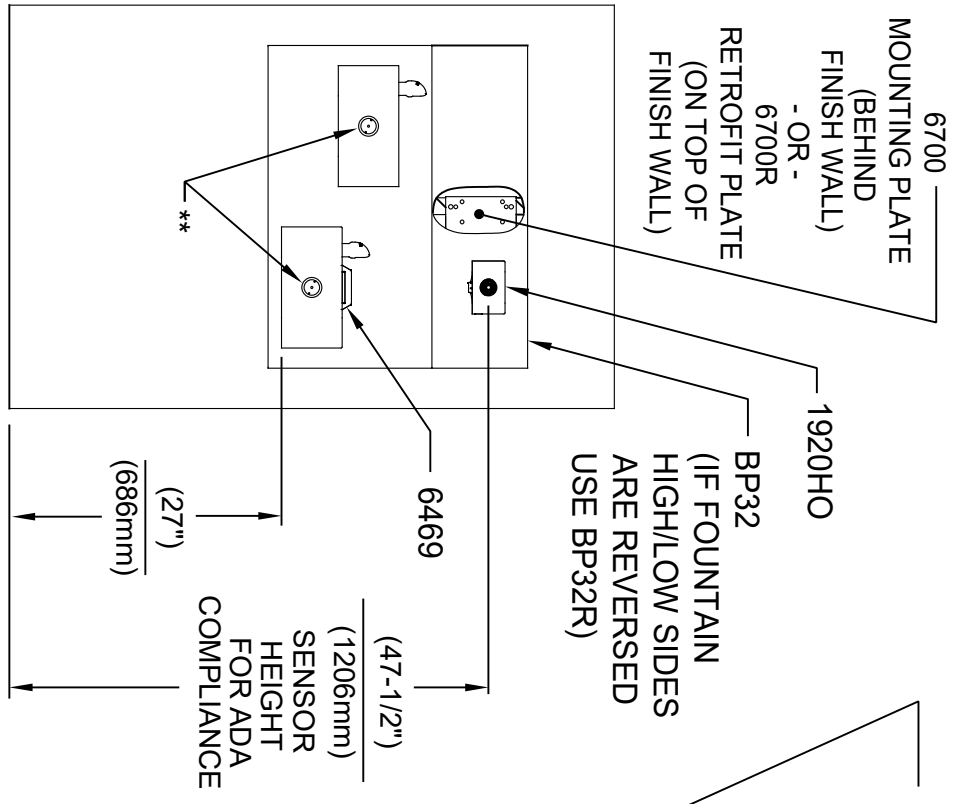
- \* IF YOUR FOUNTAIN IS THIS STYLE USE THESE DIMENSIONS
- 1. SEE SEPARATE INSTALLATION DRAWINGS FOR MOUNTING PLATES AND BACKPANELS
- 2. WHEN INSTALLING THIS UNIT, LOCAL, STATE OR FEDERAL CODES SHOULD BE ADHERED TO FOR INSTALLATION LOCATIONS, WASTE & SUPPLY REQUIREMENTS OTHER THAN SHOWN.



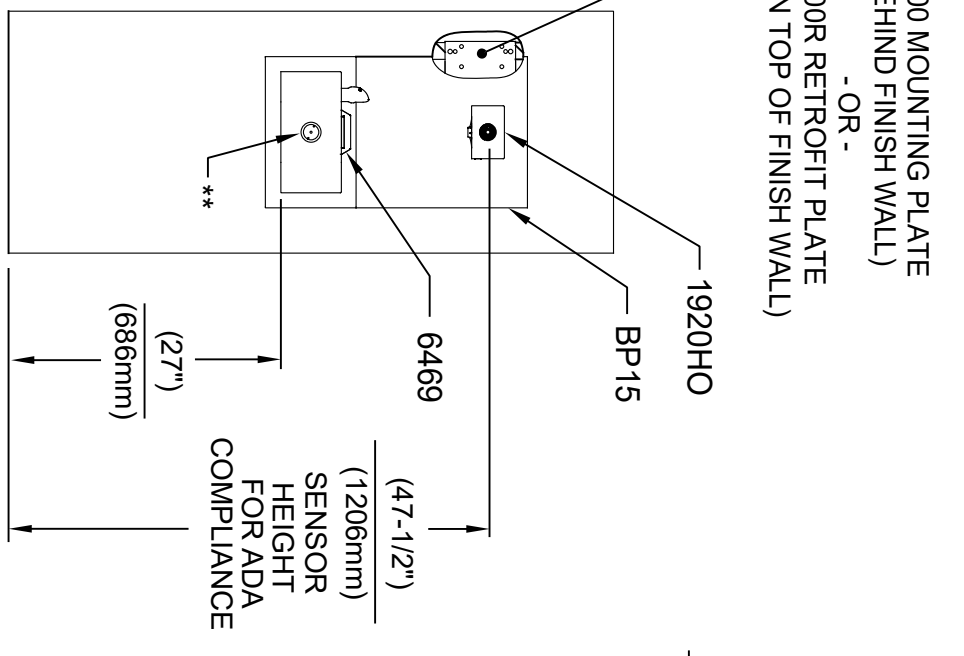
\*\* EXISTING PUSH BUTTON ASSEMBLY SHOWN, CAN BE CONVERTED TO HANDS OFF STYLE, USING RETRO-FIT KIT MODEL 1RKHO.H OR 2RKHO.H DEPENDING ON CUSTOMER REQUIREMENTS.

1459 KLEPPE LANE  
SPARKS, NEVADA 89431  
(775) 359-4712 FAX (775) 359-7424  
E-MAIL: HAWS@HAWSCO.COM  
WEBSITE: WWW.HAWSCO.COM

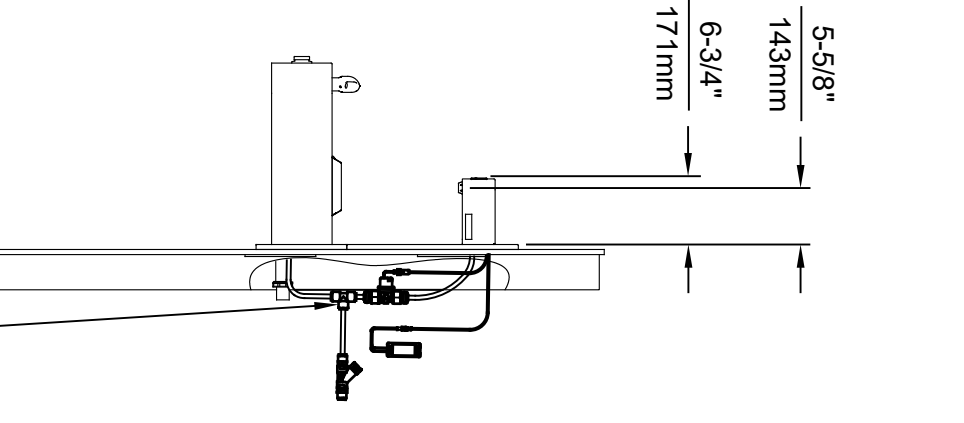
ECN NO. REVISED PERBY:	MODEL(S)
5574 ECN:5981 BJM	1920HO/1920HPPSHO/1920WHO
DATE: CHK'D:	
09/18/20 FV	
APPROVED: BJM	SCALE: N/A DRAWING TYPE: INSTALLATION
DATE: 09/13/21	SIZE: A SHEET 2 OF 6
	REVISION: 4
	PART NUMBER: 0510001063.D



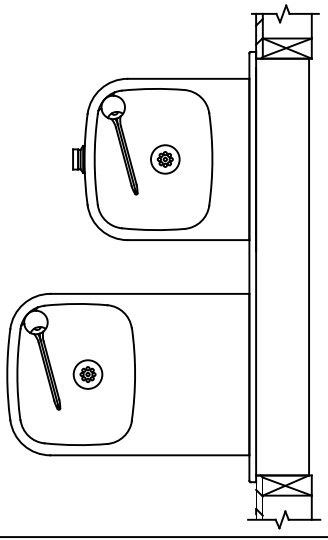
**INSTALLATION ABOVE HAWS 1119 & H1119.8 SERIES**



**INSTALLATION ABOVE HAWS 1109 & H1109.8 SERIES**



- \* IF YOUR FOUNTAIN IS THIS STYLE USE THESE DIMENSIONS
- 1. SEE SEPARATE INSTALLATION DRAWINGS FOR MOUNTING PLATES, BACKPANELS & DRIP TRAY
- 2. WHEN INSTALLING THIS UNIT, LOCAL, STATE OR FEDERAL CODES SHOULD BE ADHERED TO FOR INSTALLATION LOCATIONS, WASTE & SUPPLY REQUIREMENTS OTHER THAN SHOWN.

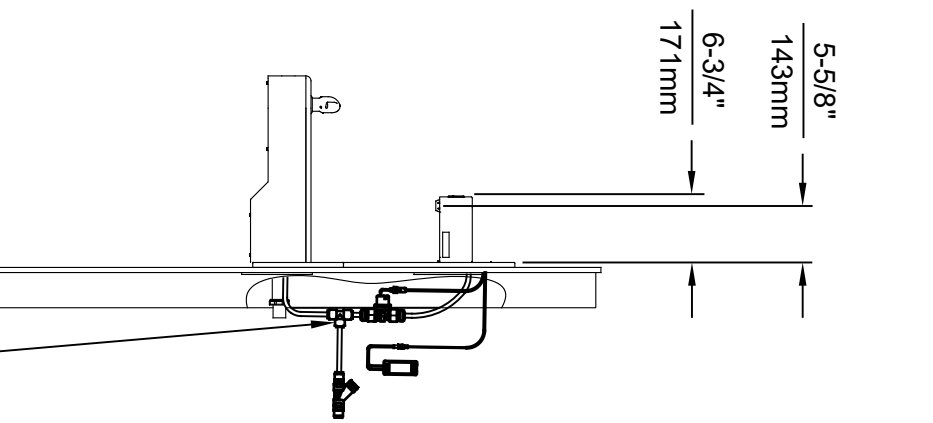
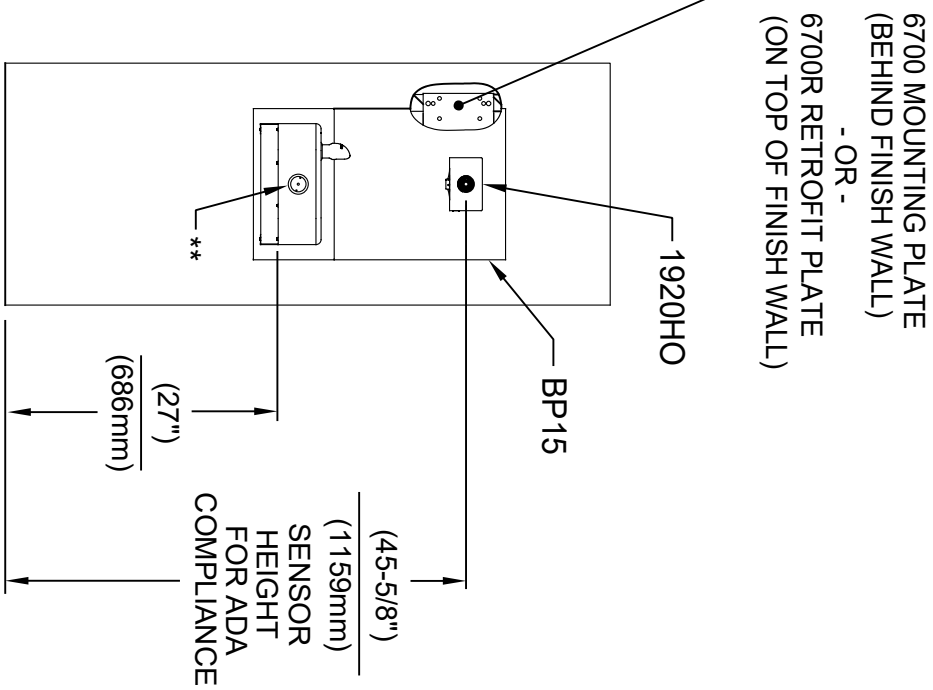
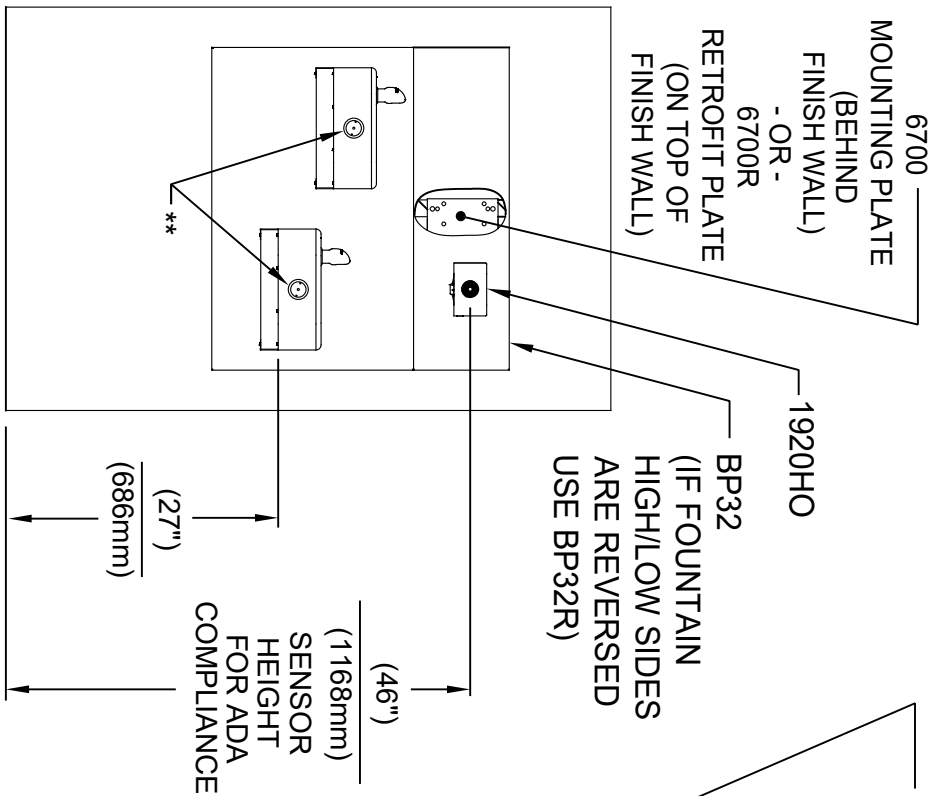


\*\* EXISTING PUSH BUTTON ASSEMBLY SHOWN, CAN BE CONVERTED TO HANDS OFF STYLE, USING RETRO-FIT KIT MODEL 1RKHO.H OR 2RKHO.H DEPENDING ON CUSTOMER REQUIREMENTS.

3/8" O.D. SUPPLY TUBING AND 3/8" O.D. PUSH-IN TEE SUPPLIED. (CONNECT TO FOUNTAIN SUPPLY LINE)

1459 KLEPPE LANE  
SPARKS, NEVADA 89431  
(775) 359-4712 FAX (775) 359-7424  
E-MAIL: HAWS@HAWSCO.COM  
WEBSITE: WWW.HAWSCO.COM

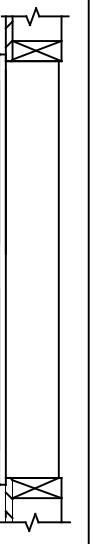
ECN NO. REVISED PER BY:		MODEL(S)	
5574	ECN: 5681	1920HO/1920HPSHO/1920WHO	
DATE:	CHK'D:	PART NUMBER	
08/18/20	FV	0510001063.D	
APPROVED:	DATE:	SCALE:	DRAWING TYPE:
BIM	09/13/21	N/A	INSTALLATION
		SIZE:	SHEET 3 OF 6
		REVISION: 4	



**INSTALLATION ABOVE HAWS 1117L & H1117.8 SERIES**

**INSTALLATION ABOVE HAWS 1107L & H1107.8 SERIES**

\* IF YOUR FOUNTAIN IS THIS STYLE USE THESE DIMENSIONS



1. SEE SEPARATE INSTALLATION DRAWINGS FOR MOUNTING PLATES AND BACKPANELS

2. WHEN INSTALLING THIS UNIT, LOCAL, STATE OR FEDERAL CODES SHOULD BE ADHERED TO FOR INSTALLATION LOCATIONS, WASTE & SUPPLY REQUIREMENTS OTHER THAN SHOWN.

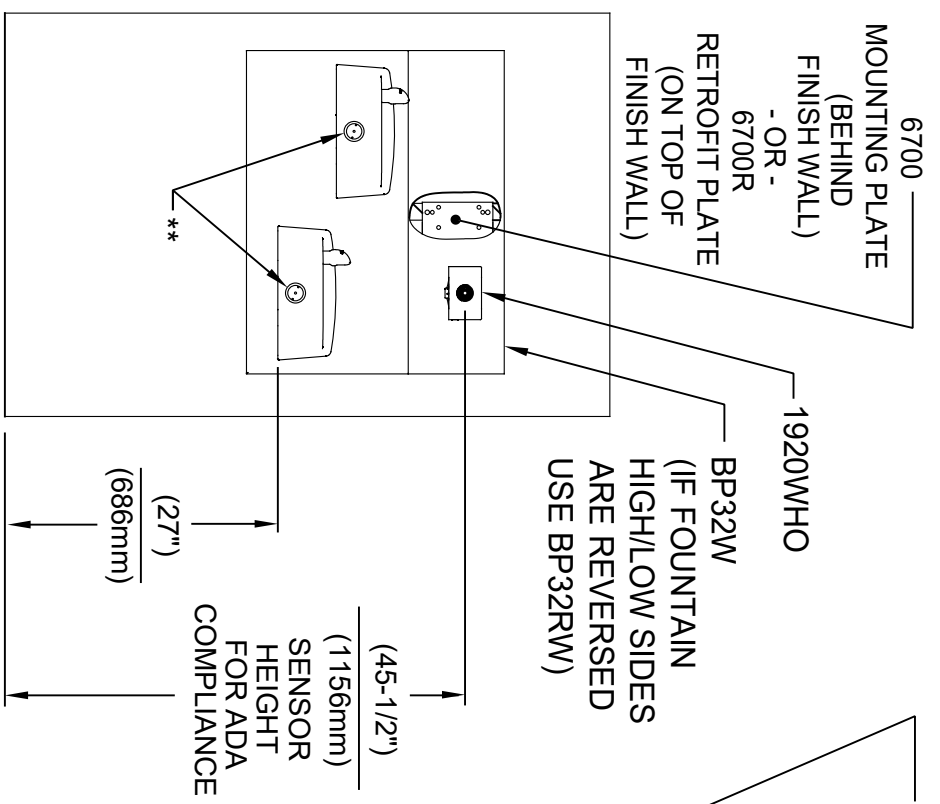
\*\* EXISTING PUSH BUTTON ASSEMBLY SHOWN, CAN BE CONVERTED TO HANDS OFF STYLE, USING RETRO-FIT KIT MODEL 1RKHO.H OR 2RKHO.H DEPENDING ON CUSTOMER REQUIREMENTS.

3/8" O.D. SUPPLY TUBING AND 3/8" O.D. PUSH-IN TEE SUPPLIED. (CONNECT TO FOUNTAIN SUPPLY LINE)

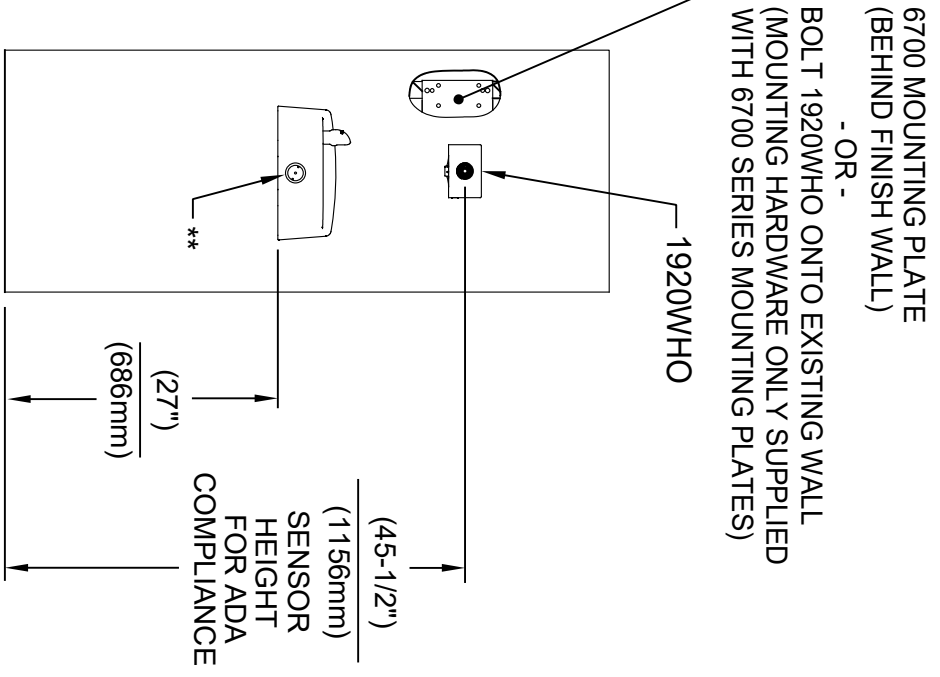


1459 KLEPPE LANE  
 SPARKS, NEVADA 89431  
 (775) 359-4712 FAX (775) 359-7424  
 E-MAIL: HAWS@HAWS.CO.COM  
 WEBSITE: WWW.HAWS.CO.COM

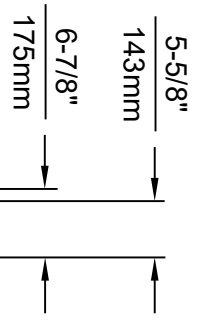
ECN NO. REVISED PER BY:	MODEL(S)
5574 ECN: 5681 BJM	1920HO/1920HPSHO/1920WHO
DATE: 08/18/20	
CHK'D: FV	
DATE: 08/13/21	
APPROVED: BJM	
SCALE: N/A	DRAWING TYPE: INSTALLATION
	SIZE: A SHEET 4 OF 6
	PART NUMBER: 0510001063.D
	REVISION: 4



**INSTALLATION ABOVE HAWS 1501**



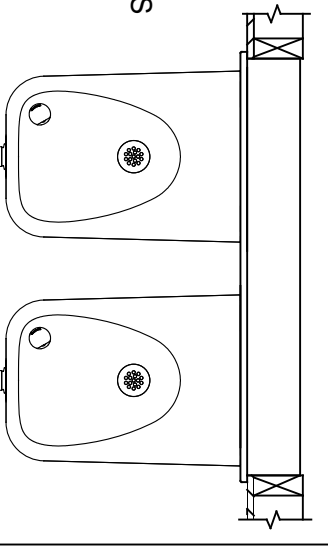
**INSTALLATION ABOVE HAWS 1311**



3/8" O.D. SUPPLY TUBING AND 3/8" O.D. PUSH-IN TEE SUPPLIED. (CONNECT TO FOUNTAIN SUPPLY LINE)

\*\* EXISTING PUSH BUTTON ASSEMBLY SHOWN, CAN BE CONVERTED TO HANDS OFF STYLE, USING RETRO-FIT KIT MODEL 1RKHO.H OR 2RKHO.H DEPENDING ON CUSTOMER REQUIREMENTS.

- \* IF YOUR FOUNTAIN IS THIS STYLE USE THESE DIMENSIONS
- 1. SEE SEPERATE INSTALLATION DRAWINGS FOR MOUNTING PLATES AND BACKPANELS
- 2. WHEN INSTALLING THIS UNIT, LOCAL, STATE OR FEDERAL CODES SHOULD BE ADHERED TO FOR INSTALLATION LOCATIONS, WASTE & SUPPLY REQUIREMENTS OTHER THAN SHOWN.



**Haws**

1459 KLEPPE LANE  
SPARKS, NEVADA 89431  
(775) 359-4712 FAX (775) 359-7424  
E-MAIL: HAWS@HAWSCO.COM  
WEBSITE: WWW.HAWSCO.COM

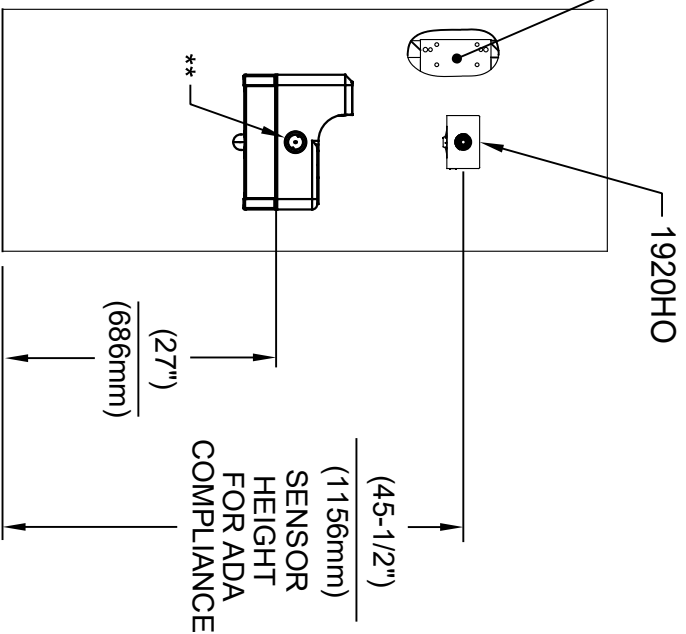
ECN NO. REVISED PER BY: MODEL(S)  
5574 ECN: 5691 BJM 1920HO/1920HPPSHO/1920WHO

DATE: 09/18/20  
CHK'D: FV  
FV DATE: 09/18/20

APPROVED: BJM SCALE: N/A DRAWING TYPE: INSTALLATION SHEET 5 OF 6

PART NUMBER: 0510001063.D  
REVISION: 4

6700 MOUNTING PLATE  
(BEHIND FINISH WALL)  
- OR -  
BOLT 1920HO ONTO EXISTING WALL  
(MOUNTING HARDWARE ONLY SUPPLIED  
WITH 6700 SERIES MOUNTING PLATES)

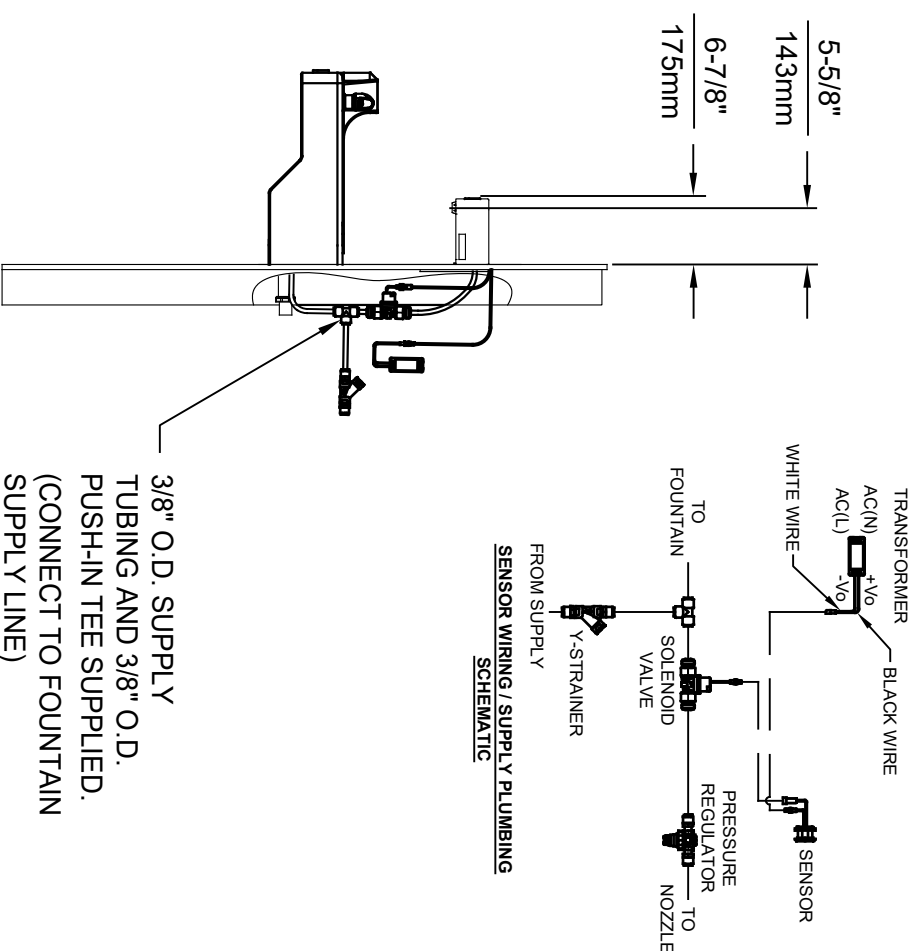
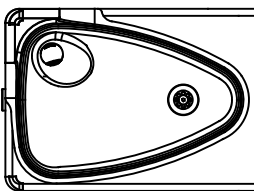


**INSTALLATION ABOVE HAWS 1047**

\* IF YOUR FOUNTAIN IS THIS STYLE USE THESE DIMENSIONS



1. SEE SEPERATE INSTALLATION DRAWINGS FOR MOUNTING PLATES AND BACKPANELS
2. WHEN INSTALLING THIS UNIT, LOCAL, STATE OR FEDERAL CODES SHOULD BE ADHERED TO FOR INSTALLATION LOCATIONS, WASTE & SUPPLY REQUIREMENTS OTHER THAN SHOWN.



3/8" O.D. SUPPLY TUBING AND 3/8" O.D. PUSH-IN TEE SUPPLIED. (CONNECT TO FOUNTAIN SUPPLY LINE)

\*\* EXISTING PUSH BUTTON ASSEMBLY SHOWN, CAN BE CONVERTED TO HANDS OFF STYLE, USING RETRO-FIT KIT MODEL 1RKHO.H.



**Haws**

1456 KLEPPE LANE  
SPARKS, NEVADA, 89431  
(775) 359-4712 FAX (775) 359-7424  
E-MAIL: HAWS@HAWSCO.COM  
WEBSITE: WWW.HAWSCO.COM

ECN NO. REVISED PER BY:	MODEL(S)	PART NUMBER
5574 ECN: 5681 BJM	1920HO/1920HPSHO/1920WHO	0510001063.D
DATE: 08/18/20	SCALE: N/A	REVISION: 4
CHKD: FV	DRAWING TYPE: INSTALLATION	SHEET 6 OF 6
DATE: 09/13/21	APPROVED: BJM	