

FEATURES & BENEFITS

SENSOR OPERATED

Electric sensor allows for touch-free hygienic operation, eliminating the need for manual activation.

QUALITY CONTROL

The Haws bottle filling station is pre-built and fully water and pressure tested to ensure no leaks and proper function for reduced installation time and added peace of mind.

SERVICING & SECURITY

Durable ABS plastic front panel allows simple access to internal components. 30-second time-out prevents unwanted use. Hidden lock and hinges discourage vandals.

ADVANCED FILTRATION

2,500-gallon (9464 L) capacity, electronic lifecycle control filter cartridge will shut off water flow when capacity is reached to ensure fresh, filtered water with every activation. Filter replacement indicator light will flash yellow when filter life is at 10% and will flash red when replacement is necessary. Preparing to replace filter is important when the filter light flashes yellow.

EXTENDED WARRANTY

Superior engineering incorporated into this product carries an extended 3 year warranty.

OPTIONS

- Replacement Filter: Model 6423 is the 2,500-gallon (9464 L) replacement filter with electronic lifecycle control for the Hydration By Haws™ Model 2000S
- Remote Drinking Fountain Water Chiller: Model HCR8, 8 GPH (30.3 L) remote chiller provides for instantaneous cooling to meet a continuous demand for chilled water.
- 2000 Series Mounting Frame: Model MTGFR.HSC, galvanized steel mounting frame with grille for the 2000 series bottle filling stations.
- Custom Logo Panel: Standard Model 6475 comes with “Hydration By Haws™” logo. Customize the panel with your choice of logo, slogan, or graphic.

For more information, visit www.hawsco.com or call (888) 640-4297.



SPECIFICATIONS

Model 2000S Hydration By Haws™ water dispenser is a semi-recessed, wheelchair accessible bottle or cup filling station constructed of durable ABS plastic and 16-gauge, Type 304 Stainless Steel with a satin finish. It features an electric sensor for touch-free hygienic operation, a 30-second timeout preventing unwanted use, laminar flow to prevent splashing, and a .5 gpm (1.9 L) flow rate for quick fill-up. 2,500 gallon (9464 L) carbon block filter reduces chlorine (taste and odor) and lead, and removes 99.99% of cysts. The mounting frame is of heavy-gauge, galvanized steel. 110 volt, 60Hz, and .1 amp draw when in use. Tailpiece is 1-1/4" (32 mm) O.D. Provision for trap (not included) must be made in or behind wall.

APPLICATIONS

Perfect for either public or private indoor settings, the Hydration By Haws™ water dispenser is a great fit in areas where aesthetics are important to the overall appeal of the architecture. Specifically, this type of semi-recessed, wall-mounted bottle filling station is ideal for office buildings, airports, schools, manufacturing facilities and municipalities. Model 2000S meets the Americans with Disabilities Act when mounted at the correct height. Haws manufactures drinking fountains and electric water coolers to be lead-free by all known definitions including NSF/ANSI Standard 61, Section 9, NSF/ANSI Standards 42 & 53, NSF/ANSI 372 and CSA Standard B483.1. Product is compliant to California Health and Safety Code 116875 (AB 1953), California Proposition 65 and the Federal Safe Drinking Water Act. Model 2000S is certified to the Standard for Water Treatment Appliances (UL979).





INSTALLATION GUIDE

1455 Kleppe Lane ♦ Sparks, NV 89431-6467 ♦ (888) 909-4297
♦ website: www.Hawesco.com

No. 0510000663 (3)

Model 2000S Bottle Filler with Lifecycle Control

NOTE: A Class A ground-fault circuit interrupter (GFCI) shall be installed in the branch-circuit supplying power to this unit.

CAUTION! Prior to making any electrical connections, verify with a voltmeter that power from the service panel is **off**.

SHOULD YOU EXPERIENCE DIFFICULTY WITH THE INSTALLATION OF THIS MODEL, OR REQUIRE REPLACEMENT PARTS, PLEASE CALL:

**TECHNICAL SUPPORT:
1-800-766-5612**

HOURS OF OPERATION: MON-THURS 7:00a.m. - 4:30p.m PT, FRI 7:00a.m.- 11:00a.m. PT

QUICK START REFERENCE

PARTS LIST: 1 bottle filler, 1 filter cartridge, 1 plastic drain basin, 1 brass waste bend, 1 waste nut, 1 rubber waste washer, 1 hex key, 2 drain basin screws, 2 drain basin screw washers, 1 logo plate and cardboard installation template.

RECOMMENDED TOOLS: Phillips screwdrivers, level, slip joint pliers.

REQUIRED PARTS (NOT SUPPLIED): Qty. 6 – 10 #6 sheet metal or wood screws (depending on construction of wall studs), 1/2" screwdriver stop, 3/8" tubing (to be used for water supply inlet), 1-1/4" trap, qty. 3 wire connectors.

PRODUCT INSTALLATION: When installing this product, local, state or federal codes should be adhered to. This unit is certified for indoor use only.

SUPPLY LINE: Minimum recommended line size is 1/2" IPS with 30-90 PSI (2-6 ATM) flowing pressure; supply water is to be cold water supply. Intended for municipal water only.

PLUMBING CONNECTIONS: Inlet is 3/8" O.D. push-in type fitting. Waste bend is 1-1/4" O.D. pipe; an acceptable trap must be used after waste bend.

ELECTRICAL CONNECTIONS: 115VAC, 60HZ, approx. 0.14A. Unit wired directly to incoming line (stripped leads provided).

RATED SERVICE FLOW: 0.5 GPM (2725L/day)

OPERATING TEMPERATURE: 35–100°F (1.7–37.8°C)

OPERATING PRESSURE: 30-90 PSI

FILTER CAPACITY: 2500 gallons (9460L) or 1 year

REPLACEMENT FILTER CARTRIDGE: Electronic Lifecycle Control Filter Model 6423

INSTALLATION PROCEDURE

WARNING: Make certain power is disconnected before installation to reduce risk of electrical shock.

WARNING: Filter is not intended to withstand operating pressures greater than 100 PSI (6.8 ATM). If inlet pressure is greater than this, filter must be protected with a pressure regulator.

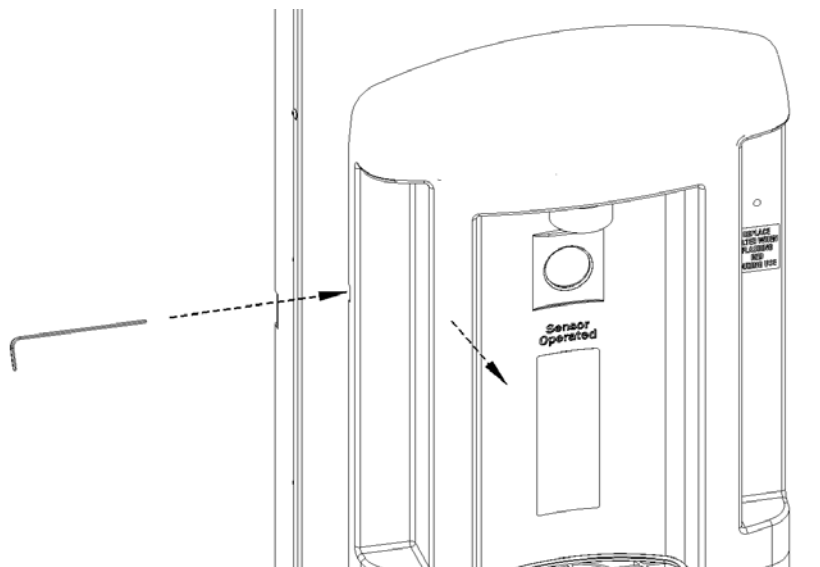
NOTES:

1. This unit is certified for indoor use only.
2. For all plastic push-in type fitting connections, only connect NSF-61 copper or plastic tubing. Stainless steel or glass tubing is not recommended. The following assembly instructions must be followed to ensure a watertight connection:
 - a. Cut tubing square and clean.
 - b. Mark from end of tube the length of insertion (See table below).
 - c. Push tube into the fitting until it bottoms out.
 - d. To remove, depress collet and pull tubing out.

Tube Sizes	O.D. Tolerance	Insertion Depth
1/4"	±.005"	11/16"
3/8"	±.005"	3/4"
1/2"	±.005"	7/8"

3. Use NSF-61 approved pipe joint sealant on all threaded water connections.
4. Do not use with water that is microbiologically unsafe or unknown quality without adequate disinfection before or after the system. Systems certified for cyst reduction may be used on disinfected waters that may contain filterable cysts.
5. Use the cardboard inserts from the box to support the unit while preparing for installation by placing unit face down on inserts.

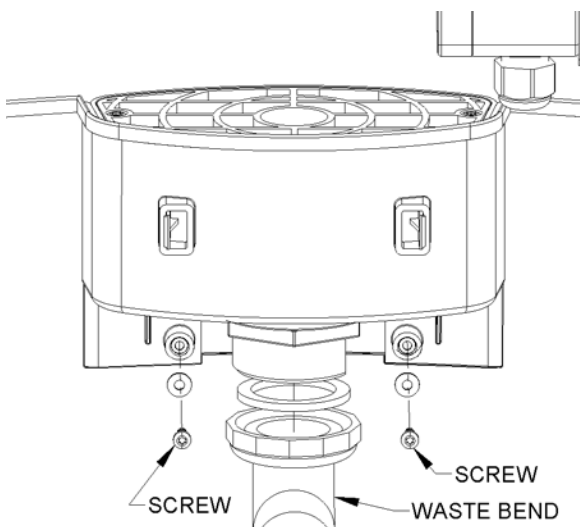
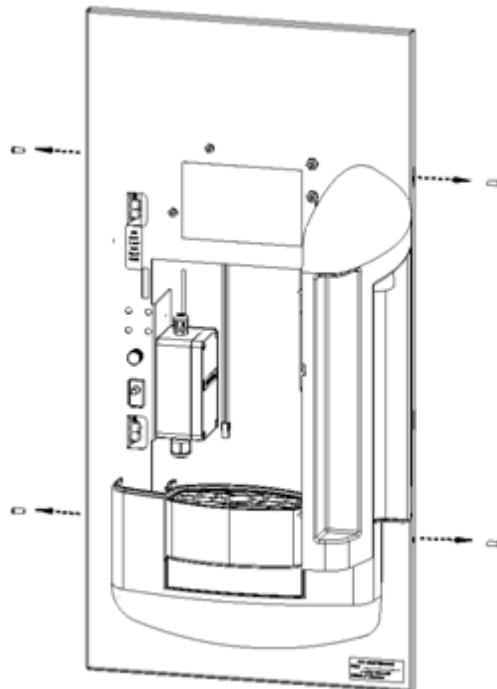
Step 1: To open the unit, slide the supplied hex key into the notch in the left-hand side of the hinged upper plastic panel and press the key firmly in that same direction. This will disengage the internal spring latch. Simultaneously pull open the hinged panel (see Step 1 Diagram). Take care not to damage the stainless steel panel or the spring latch in this process.



Step 1 Diagram

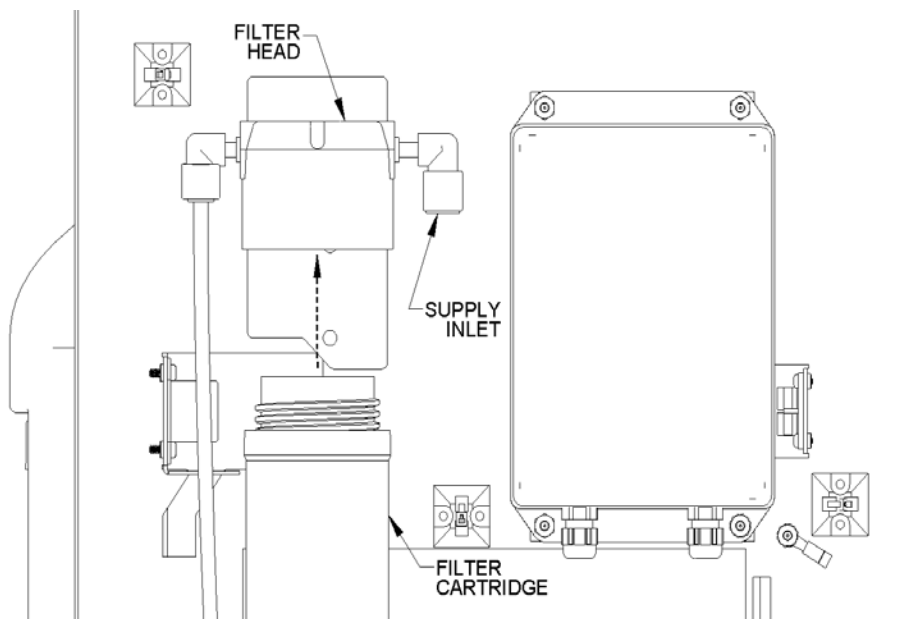
Step 2: Unscrew the 4 side-mounted panel screws on the outside of the bottle filler using the supplied hex key, and remove the mounting frame from the bottle filler (see Step 2 Diagram).

Step 3: Use the 2 washers and the 2 screws supplied to attach drain basin to unit as shown in Step 3 diagram (other components removed for clarity). Install waste bend with nut and rubber washer as shown (see Step 3 Diagram).



**Step 3 Diagram
(Back View)**

Step 4: Firmly screw filter cartridge into filter head (see Step 4 Diagram). NOTE: Bottle filler will work only if a filter cartridge is installed and its wiring is plugged in (see Step 9).



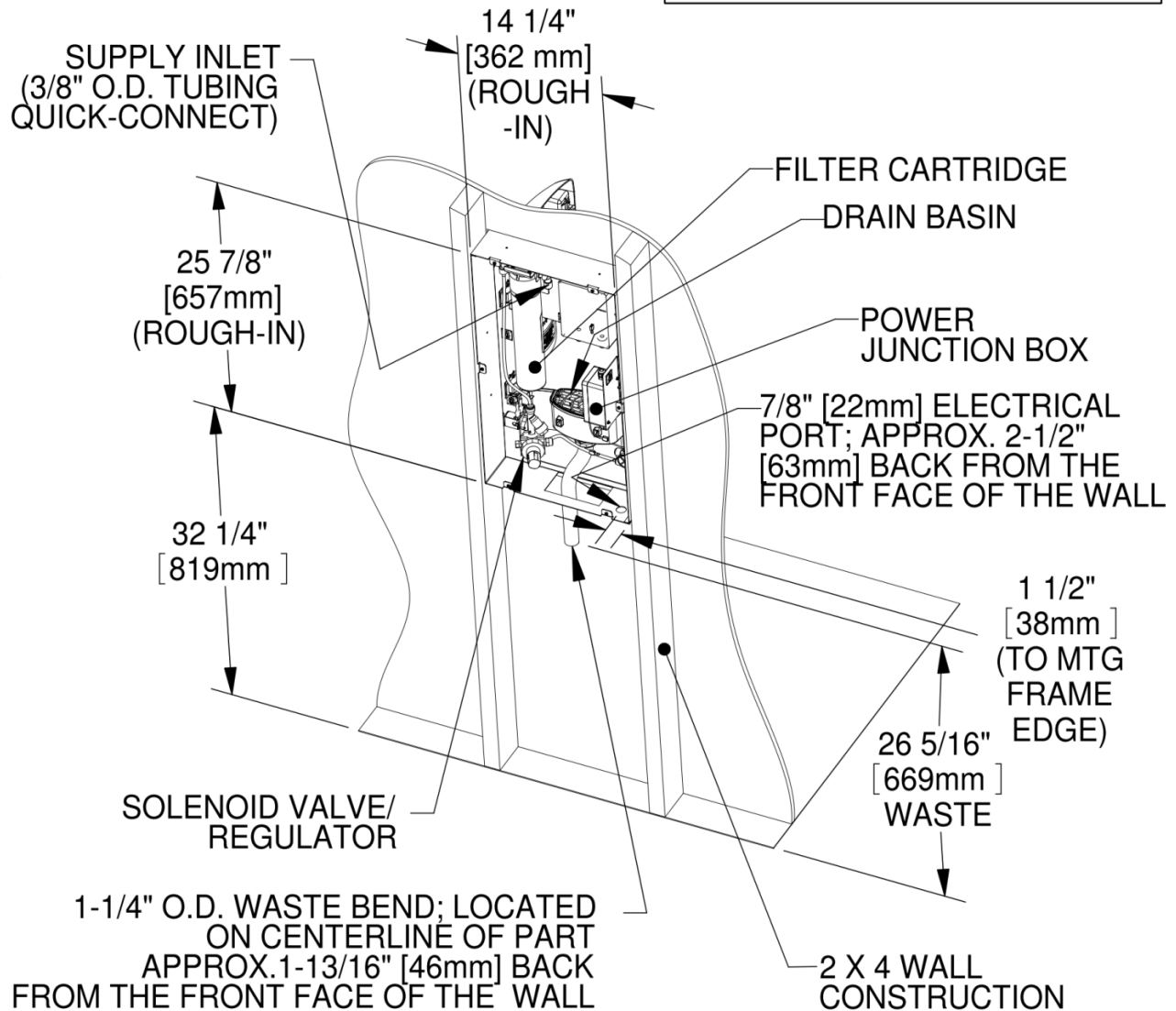
Step 5: Create a wall opening for the unit as shown in Step 5 Diagram – hold rough-in dimensions to within 1/8". The bottle filler is designed to fit between two normally spaced 2 X 4 studs (16" center-to-center). Install waste line, supply line, and electrical lines in locations shown. The supply line should be brought up through the rectangular waste cutout in the bottom of the unit. Double-check waste, supply, and electrical line locations. Install a 1/2" IPS supply screwdriver stop (not supplied) into the water supply line where it will be readily accessible.

NOTE: A suitable trap must be used in conjunction with the waste. This trap should be positioned in a location where it can be accessed and removed (it may be helpful to use a wall-mounted access panel).

NOTE: When installing this unit, all pertinent local, state, or federal codes should be adhered to.

Bottle filler (rear cover removed) viewed from behind wall

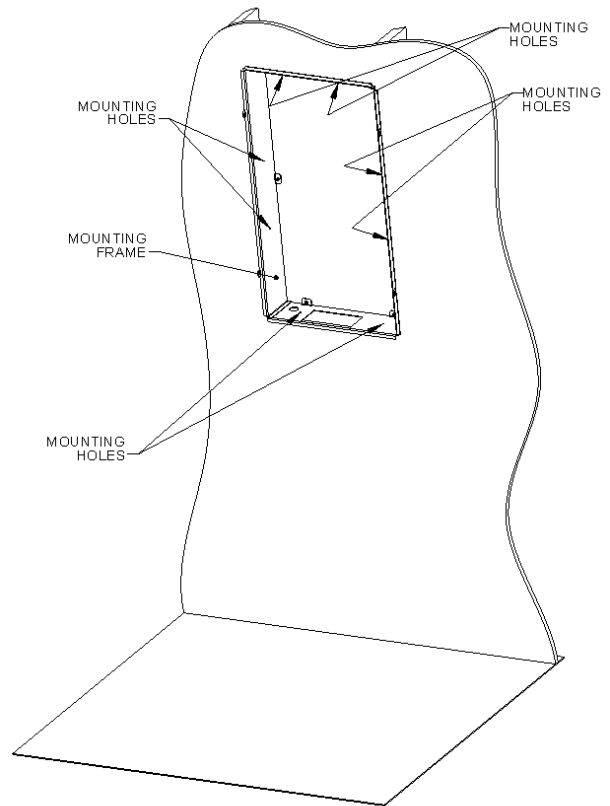
<p>ROUGH-IN DIMENSIONS: 25-7/8" [657] HEIGHT 14-1/4" [362] WIDTH FITS IN 2 X 4 WALL</p>	<p>DIMENSIONS OUTSIDE OF WALL: 30-1/4" [768] HEIGHT 15" [381] WIDTH 3-15/16" [100] DEPTH</p>
---	--



Step 5 Diagram

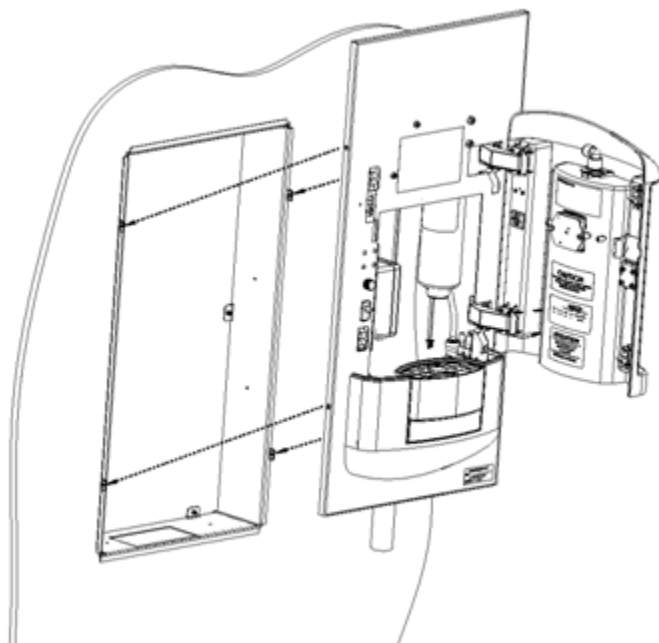
Step 6: Place the mounting frame into its opening such that it sits flush against the wall. Use some appropriate #6 screws (between 4 & 8 as required; not supplied) to secure the frame into the wall; notice that mounting holes are provided in the top, bottom, and sides of the mounting frame (see Step 6 Diagram).

Use a level to verify that the mounting frame is level horizontally and vertically; this will help to assure proper drainage and water flow that is properly aligned.



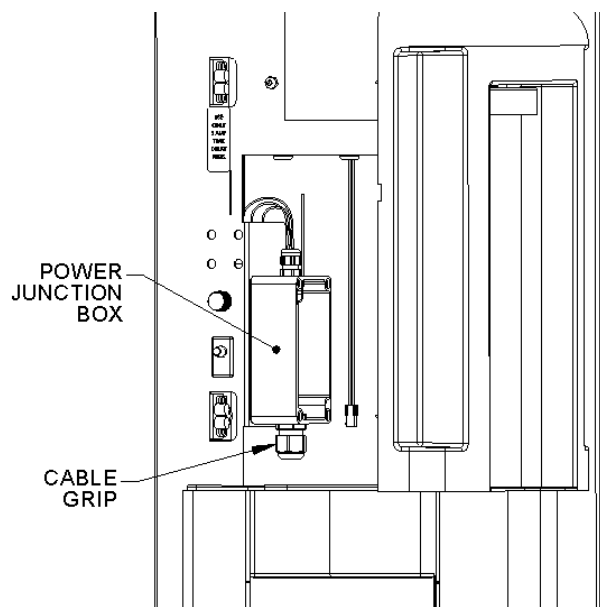
Step 6 Diagram

Step 7: Place the bottle filler onto its mounting frame and make the connection between the bottle filler waste and the plumbed-in waste line. Secure the bottle filler to the mounting frame using the 4 screws removed in Step 2 (see Step 7 Diagram).



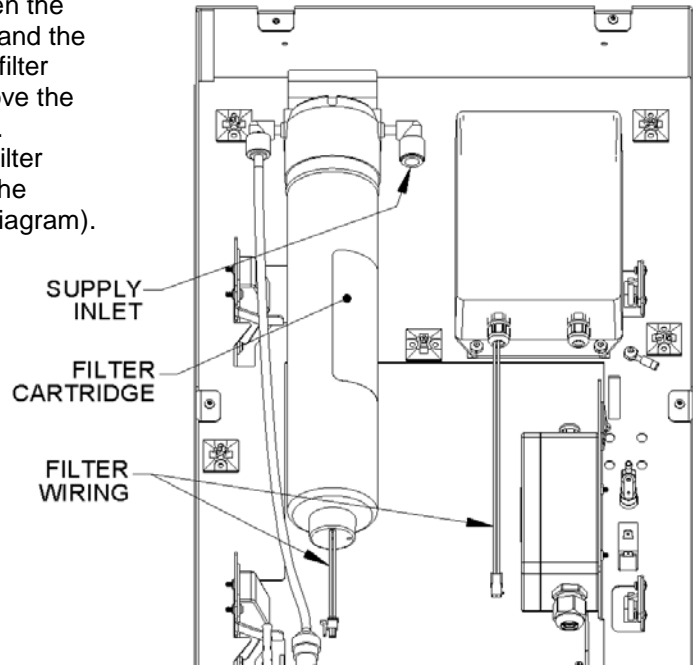
Step 7 Diagram

Step 8: Open the power junction box; run supply power wiring through the bottom cable grip. Connect supply power to lead (black), neutral (white), and ground (green) wires inside the box (stripped leads provided) (see Step 8 Diagram). Replace cover.



Step 8 Diagram

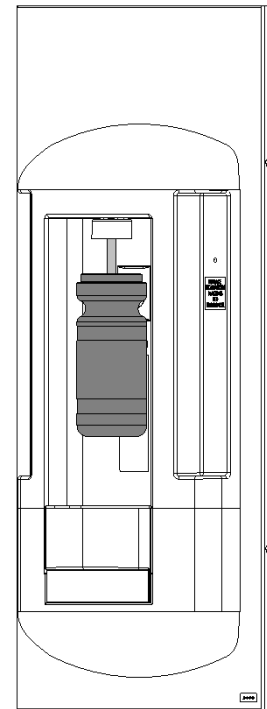
Step 9: Run 3/8" tubing (not supplied) between the screwdriver stop (installed in Step 5) and the bottle filler's supply inlet elbow in the filter head (it may help to temporarily remove the filter cartridge – see Step 9 Diagram). Connect the wiring coming off of the filter cartridge to the wiring coming out of the circuit board enclosure (see Step 9 Diagram).



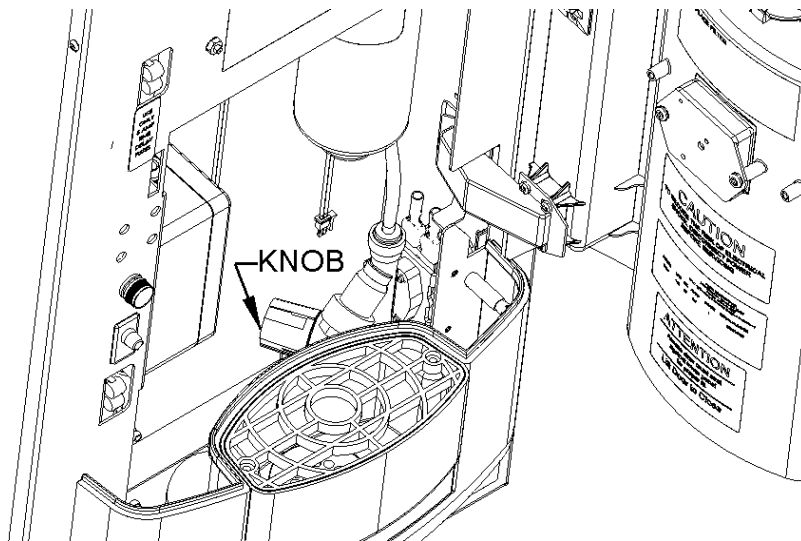
Step 9 Diagram (Back View)

Step 10: Open the screwdriver stop **wide open** and check for leaks. Close the hinged upper panel and provide power to the bottle filler.

Step 11: Activate the bottle filler by placing a bottle or cup in front of the sensor (see Step 11 Diagram A). If water does not dispense, see the Troubleshooting Guide in the Owner's Manual. The pressure regulator may need to be adjusted to better complement the input pressure at the installation site (see Step 11 Diagram B below). To do so, pull out the adjustment knob and rotate as needed (clockwise from the front of the unit decreases flow); push knob in when desired flow is achieved.
* Flow rate is factory set to the maximum flow rate for reduced water consumption.



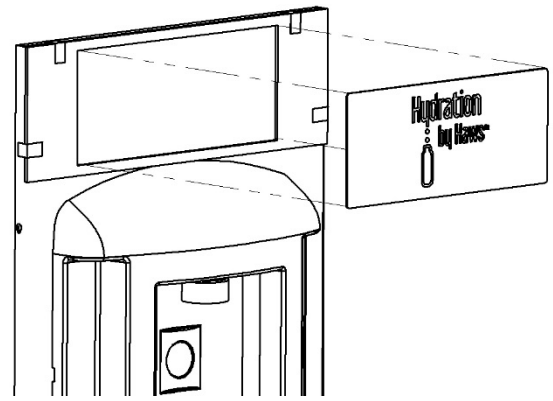
Step 11 Diagram A



Step 11 Diagram B

Step 12: **Approximately five gallons** of water must be run through the system after the unit is installed in order to remove the loose carbon particles from the filter cartridge and any air bubbles from the system (both of these are normal occurrences after a filter change). Check the system for leaks. Place hex key in a secure location.

Step 13: Clean the front of the bottle filler to remove any grease or contaminants. Tape the cardboard template onto the front of the bottle filler, aligning the top and sides flush with the bottle filler panel (see Step 13 Diagram). Remove the adhesive backing from the logo plate and carefully place into the window of the alignment template. Press firmly to secure the logo plate. Remove and discard the cardboard template.



Step 13 Diagram