



model **5010SS**
Faucet Bubbler

FEATURES & BENEFITS

BUBBLER VALVE

Polished stainless steel cartridge valve which allows for top access stream adjustment as well as cartridge and strainer access, and is designed with a shielded, anti-squirt orifice that provides a steady sanitary source of water.

OPTIONS

For mounting to a sink of less than 1/4" thick, order part numbers 0003366755, 0003776499, 0006798479 and 0006672398.

For more information, visit www.hawsc.com or call (888) 640-4297.



SPECIFICATIONS

Model 5010SS is a polished stainless steel push button bubbler valve with pressure compensating adjustable stream regulation and shielded sanitary nozzle design.

APPLICATIONS

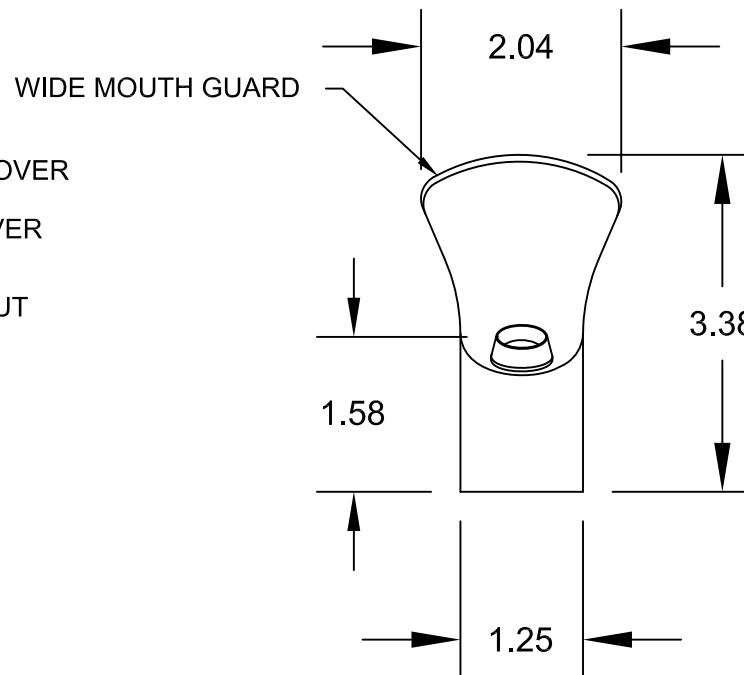
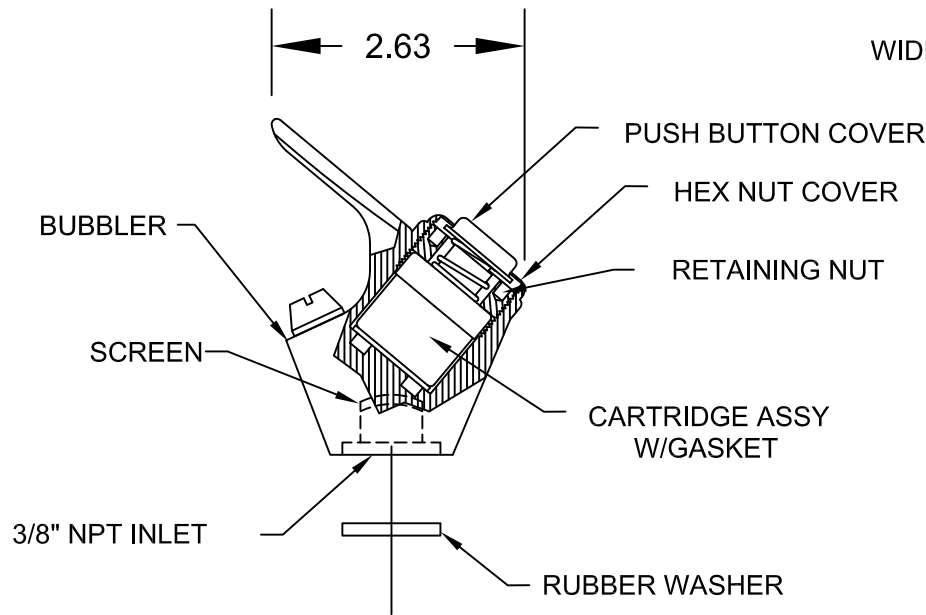
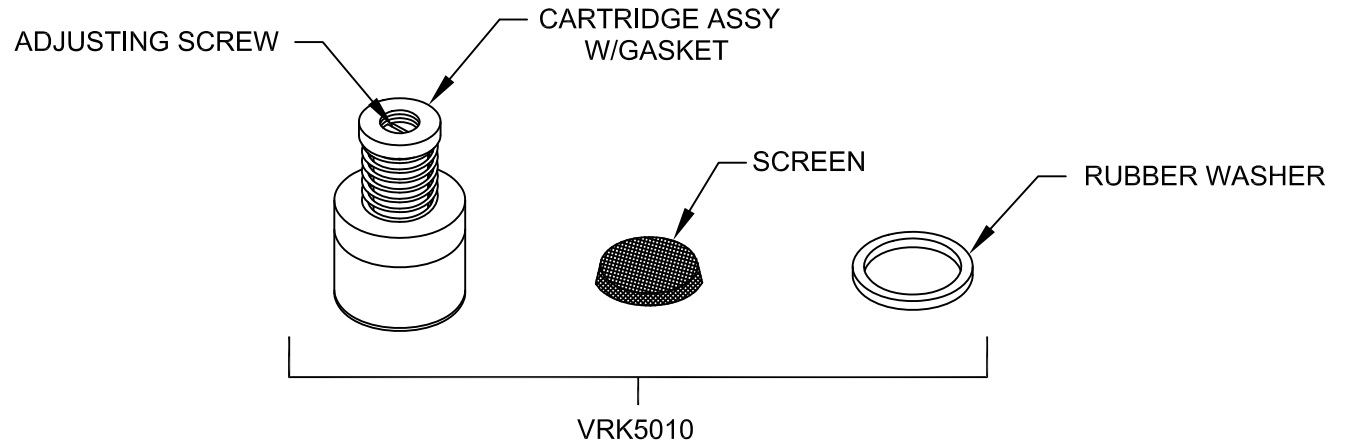
Perfect for either public or private indoor settings, the 5010SS is a great fit in areas where a sink is present. Specifically, this type of vertically mounted drinking faucet may be placed in settings such as: school classrooms, laboratories, and other facilities where the need for a deck mounted sink/faucet is present. Haws manufactures drinking fountains, faucets and electric water coolers to be lead-free by all known definitions including NSF/ANSI/CAN 61- Section 9, NSF/ANSI/CAN 372, California Proposition 65, and the Federal Safe Drinking Water Act. Product is compliant to California Health and Safety Code 116875 (AB 1953-2006), and NSF/ANSI/CAN 61: Q ≤ 0.5.



NOTES:

TO ADJUST FLOW:

1. REMOVE HEX NUT COVER AND PUSH BUTTON COVER.
2. ADJUST WITH SCREWDRIVER: CLOCKWISE TO INCREASE FLOW & COUNTER-CLOCK WISE TO DECREASE FLOW.
3. IF DESIRED FLOW IS NOT OBTAINED, CLEAN SCREEN AT INLET.
4. REPLACE PUSH BUTTON COVER AND HEX NUT COVER.



			1455 KLEPPE LANE SPARKS, NEVADA 89431 (775) 359-4712 FAX (755) 359-7424 E-MAIL: HAWS@HAWS.CO.COM WEBSITE: WWW.HAWS.CO.COM	
			ECN NO: 4215 REVISIONS: 1 DATE: 01/14/99	REVISIONS: 1 DATE: 01/14/99
DRAWN: SLS APPROVED:	DATE: 01/14/99	CHKD:	DRAWING NO. 15851A00	REV 1
SCALE: 1:1		DRAWING TYPE:	INSTALLATION	SIZE: A SHEET 1 OF 1