



# model 3150FR

ADA Vandal-Resistant Freeze-Resistant Concrete Pedestal Fountain

## FEATURES & BENEFITS

### VANDAL-RESISTANT

The bubbler heads, push buttons, drain strainers and access plates are locked in place, discouraging unwanted vandal tampering.

### CONSTRUCTION

Heavy-duty wire reinforced concrete construction with exposed aggregate finish provide a perfect addition to outside environments, along with vandal-resistant bottom and access plates for added peace of mind. Stainless steel basin with a high-polished finish compliments almost any setting, and it also resists stains and corrosion.

### DRAIN CLEAN-OUT

Top-down access to the drain allows the fountain portion to be cleaned without taking the unit apart, good for outdoor settings with drain-clogging sediment such as leaves, garbage, and other debris.

### FREEZE-RESISTANT VALVE

Fully-engineered system with the pneumatic-operated, freeze-resistant valve installed below frost line to drain water to non-freezing depth allowing fountain to function year round. Assembly can be lifted to surface and lowered back into casing for easy maintenance without disturbing the fountain.

### BARRIER-FREE

Designed for Adult or Child ADA access, the spacious fountain design allows for the trap to be internally mounted which allows for easy access.

### BUBBLER HEAD

Polished chrome-plated brass bubbler head with integral basin shank for added strength. Shielded, angled stream opening provides a steady, sanitary source of drinking water at .45 gpm.



## SPECIFICATIONS

Model 3150FR ADA adult or child freeze-resistant, square, vandal-resistant wire reinforced concrete pedestal drinking fountain shall include polished stainless steel basins, hood extensions to protect the chrome-plated brass bubbler heads, adjustable height child ADA capable arm, polished chrome-plated vandal-resistant waste strainers that allow for top down access, and push-button activated pneumatic valve system. Portland Gray in color with exposed aggregate finish and wire reinforced, and 1-1/2" slip.

**REQUIRES MODEL 6518.2FR PRICED SEPARATELY (Consult with the local authority having jurisdiction before installation in order to determine if any additional regulations or requirements may apply)**

## APPLICATIONS

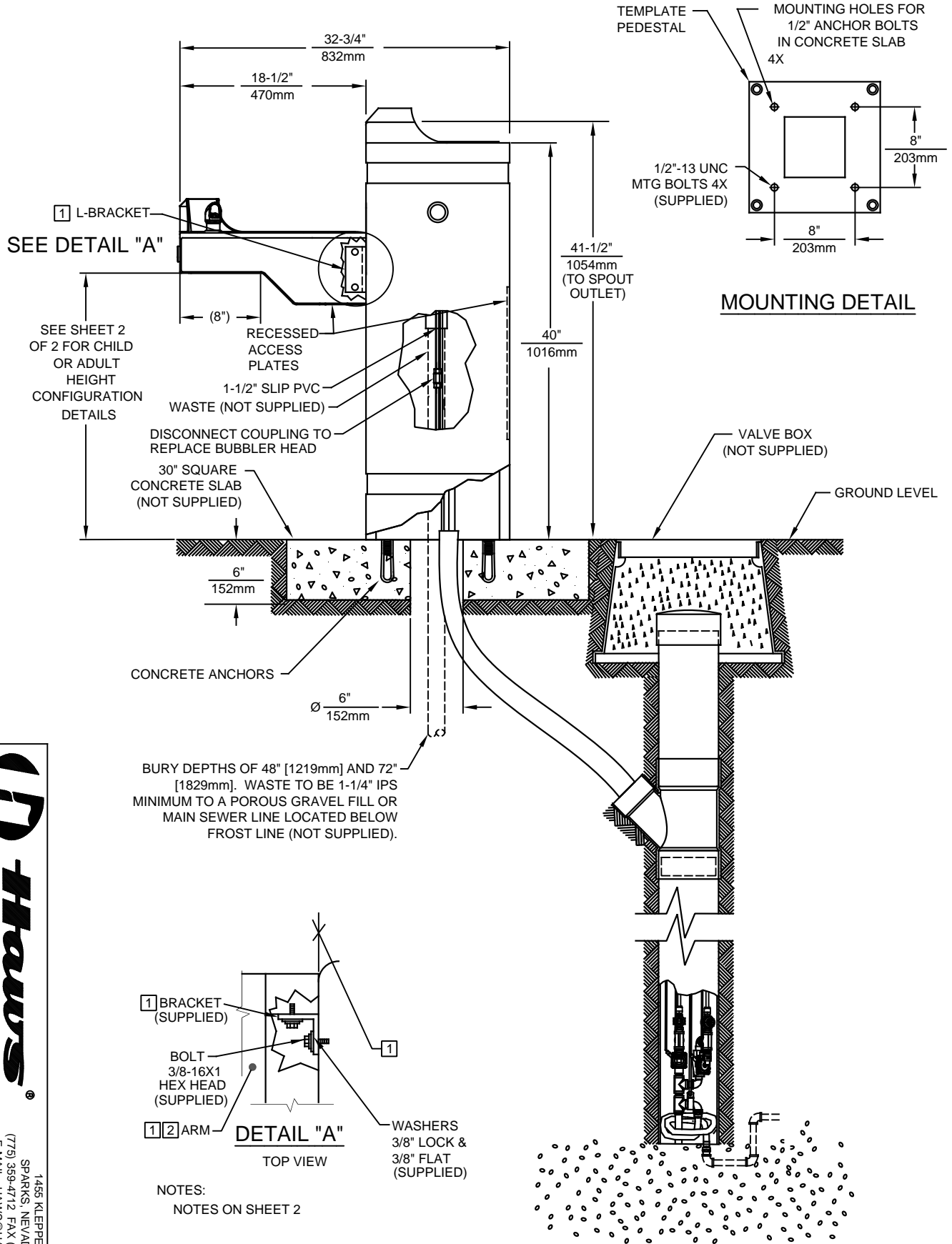
Perfect for either public or private settings, our concrete series is a great fit in "open-air" environments. Suitable in areas where weather conditions may be cause for concern, this series stands strong against any element. Wire reinforced concrete design not only protects from corrosion, its Portland Gray color makes it recognizable enough to locate without compromising the outdoor atmosphere. This type of pedestal drinking fountain may also be placed in a variety of settings such as: parks, schools, and other recreational outdoor environments where the temperature may drop into freezing conditions. Model meets all current Federal Regulations for the disabled including those in the Americans with Disabilities Act. Haws manufactures drinking fountains, faucets and electric water coolers to be lead-free by all known definitions including NSF/ANSI/CAN 61-Section 9, NSF/ANSI/CAN 372, California Proposition 65, and the Federal Safe Drinking Water Act. Product is compliant to California Health and Safety Code 116875 (AB 1953-2006), and NSF/ANSI/CAN 61: Q ≤ 1.

## OPTIONS

Concrete Step : Model 6620, matching square concrete step for square concrete pedestals, 10" (25.4 cm) high.

For more information, visit [www.hawsc.com](http://www.hawsc.com) or call (888) 640-4297.

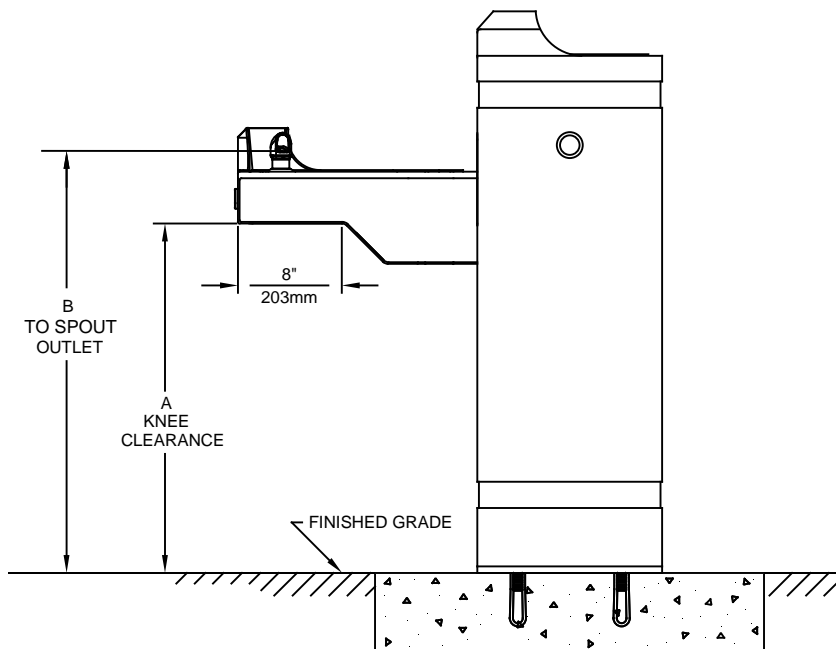




<b>Haws</b>		<b>MODEL(S)</b>	
ECN NO. REVISED PER BY:	ECN: 5382	DATE:	09/29/92
DRAWN:	CHK'D:	DATE:	10/23/18
C.L.	J.P.	SCALE:	1:13
APPROVED:	M.J.	INSTALLATION:	3150FR
1456 KLEPPE LANE		PART NUMBER	
SPARKS, NEVADA, 89431		0002077073.D	
(775) 359-4712 FAX (775) 359-7424		REVISION	
E-MAIL: HAWS@HAWS.CO.COM		20	
WEBSITE: WWW.HAWS.CO.COM		1 OF 2	

NOTES:

- 1 **PROCEDURE FOR ASSEMBLING ARM TO PEDESTAL:**  
**IMPORTANT:** L-BRACKETS ARE PRE-ASSEMBLED AND **MUST NOT BE** LOOSENED FOR ANY REASON.  
**STEP 1:** ATTACH ENTIRE ARM ASSEMBLY TO MOUNTING PLATE ON PEDESTAL USING 3/8"-16 X 1" BOLTS AND WASHERS (SUPPLIED) AND TIGHTEN SECURELY IN PLACE.  
**STEP 2:** (OPTIONAL) APPLY CAULKING AS NEEDED TO FILL ANY GAP PRESENT BETWEEN ARM AND PEDESTAL.
- 2 SIDE ARM IS ADJUSTABLE TO ACCOMODATE EITHER CHILD OR ADULT HEIGHTS (SEE "AVAILABLE ARM HEIGHTS" CHART).
- 3 BASED ON DESIRED HEIGHT (CHILD OR ADULT) OF ARM, ORIENT BACKPLATE AS SHOWN IN FIGURE 1 AND USE APPROPRIATE SHADED HOLES.
- 4 WASTE ASSEMBLY IS SUPPLIED DISASSEMBLED. THE SHORTER OF THE TWO PIECES IS FOR THE ARM DRAIN, AND MUST BE INSTALLED SO THAT ANY BEND IN THE FLEX TUBING WILL ALLOW WATER TO DRAIN COMPLETELY. THE LONGER IS FOR THE PEDESTAL DRAIN AND IS SUPPLIED AT THE LENGTH REQUIRED TO ASSEMBLE THE UNIT WITH THE ARM AT CHILD HEIGHT. IN ORDER TO ASSEMBLE AT ADULT HEIGHT, 3" MUST BE CUT FROM THE END OF THE FLEX TUBING PRIOR TO ASSEMBLY. TEE IS TO BE GLUED TO THE FLEX TUBING WASTE ARMS USING PVC PIPE CEMENT.



AVAILABLE ARM HEIGHTS		
DIM	ADULT ADA	CHILD ADA
A	27" / 686mm	24" / 610mm
B	32-3/4" / 832mm	29-3/4" / 756mm

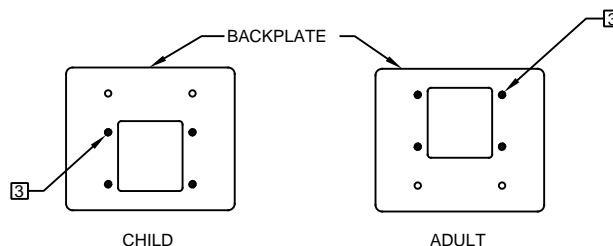
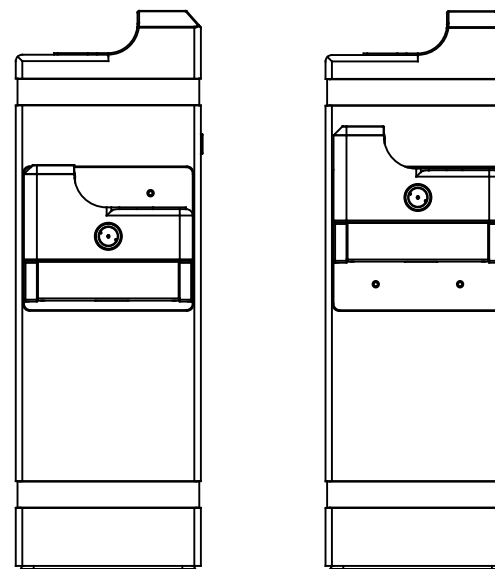
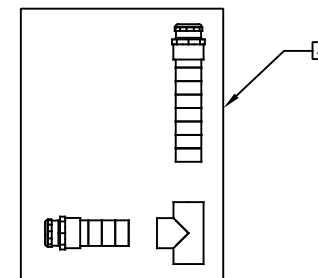


FIGURE 1

CHILD OR ADULT HEIGHT CONFIGURATION DETAILS



		1455 KLEPPE LANE SPARKS, NEVADA 89431 (775) 359-4712 FAX (775) 359-7424 E-MAIL: HAWS@HAWS.CO.COM WEBSITE: WWW.HAWS.CO.COM	
		ECN NO. 5362 ECN: 5362 DATE: 09/29/92 APPROVED: MJ	REVISED PER: FV DATE: 10/23/18 CHKD.: JP
SCALE: 1:13		DRAWING TYPE: INSTALLATION	SIZE: A SHEET 2 OF 2