



model 6450
Waste Strainer

FEATURES & BENEFITS

OPTIONS

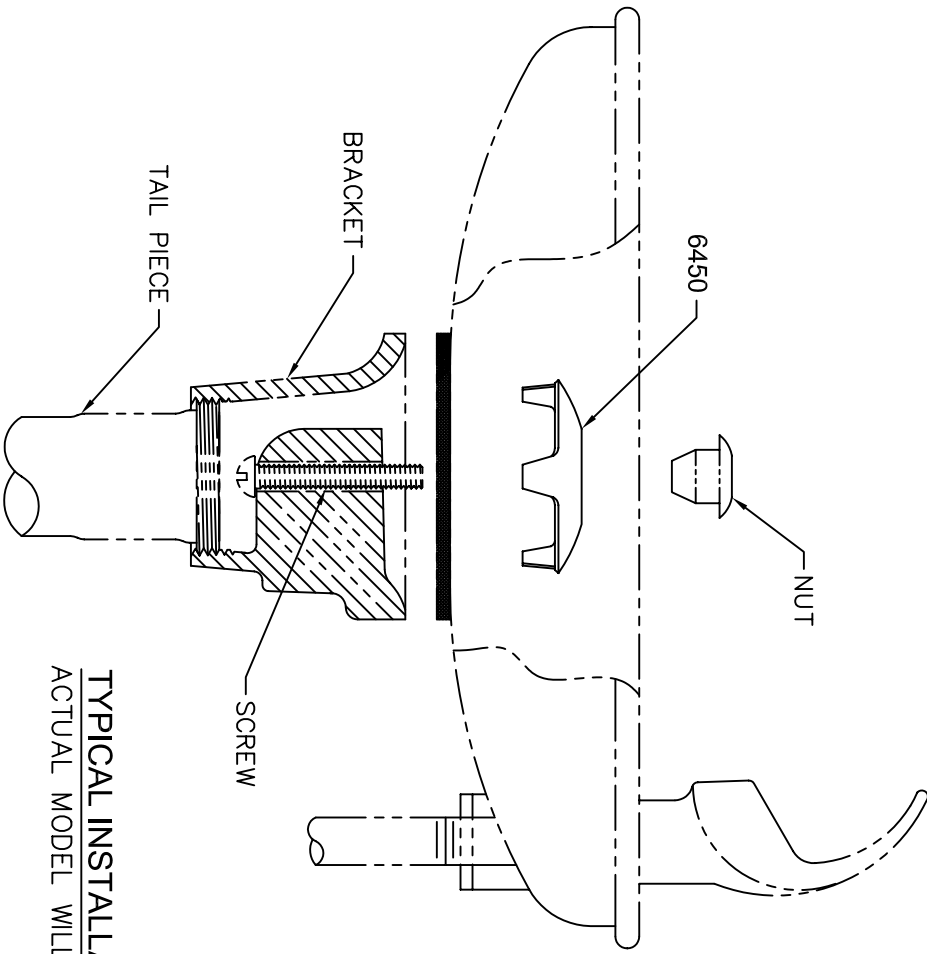
For more information, visit www.hawsc.com or call (888) 640-4297.



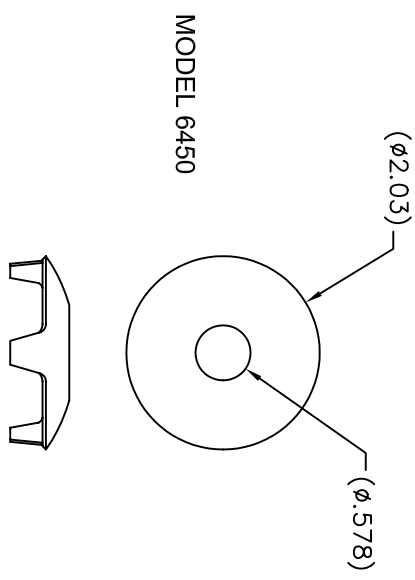
SPECIFICATIONS

Model 6450 is a polished stainless steel waste strainer for drinking fountain receptors. 2" (5.1 cm) diameter with 9/16" (1.4 cm) center mounting hole.

APPLICATIONS



TYPICAL INSTALLATION
 ACTUAL MODEL WILL VARY



Haws CORPORATION		INFO FAX : 1-888-FAX-HAWS (1-888-329-4297)	
REG. NO. 3724	DATE	1455 Kluge Ln, Sparks NV, 89431	Phone: 775-339-3339
ISSUE NO. 12/06/98	MODEL: 6450	2125 S. Lake Blvd, Sparks NV, 89431	Fax: 775-339-7104
SCALE: 1:2	TITLE: STRAINER	Haws Mfg. Pte Ltd 74 Sungai Kudat Loop Singapore 729531	Internet: www.hawsco.com
ISSUE: 12	INFO FAX DOC # 6450	✉-mail: Haws@hawsco.com	Website: www.hawsco.com
ISSUE: 12	ISSUE: 12	ISSUE: 12	ISSUE: 12