

FEATURES & BENEFITS

CONSTRUCTION

1-1/4" IPS Schedule 40 hot-dipped galvanized steel pipe and fittings along with powder-coated cast-iron 9" (22.9 cm) diameter floor flange provide corrosion resistance in a long lasting product.

QUALITY CONTROL

Eye/face wash and valve assembly are pre-built and fully water/pressure tested to ensure no leaks and proper function which ultimately reduces installation time.

BALL VALVES

Eye/face wash and shower ball valves are designed to make the flushing of fluid remains occur with the simple pull of a lever or push of a stainless steel flag.

SHOWERHEAD

AXION® MSR ABS plastic drench showerhead uses a hydrodynamic design to give equal distribution of water throughout the entire footprint of flow.

EYE/FACE WASH HEAD

AXION® MSR eye/face wash head uses an inverted directional laminar flow to sweep contaminants away from the vulnerable nasal cavity.

SAFETY

8" x 10-3/4" (20.3 x 27.3 cm) universal combination emergency sign and 21" (53.3 cm) self-adhesive high visibility stripe in Safety Green and bright yellow make the unit easily detected in an emergency. Test card to record weekly checks helps maintain the unit's best working quality.



SPECIFICATIONS

Model 8317 combination shower and eye/face wash shall include the AXION® MSR hydrodynamic designed green ABS plastic 10-5/8" showerhead with integral self-regulating 20 gpm flow control, an AXION MSR eye/face wash head shall feature inverted directional laminar flow which achieves Zero Vertical Velocity™. The head is supplied by an integral 3.7 gpm flow control, and unit uses chrome-plated brass stay-open shower and eyewash ball valves equipped with stainless steel ball and stem. Unit shall also include powder-coated cast iron 9" diameter floor flange, universal sign, self-adhesive high visibility safety green and bright yellow stripes, and 1-1/4" NPT supply.

OPTIONS

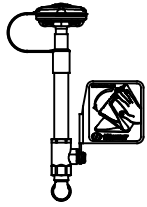
- Thermostatic Mixing Valve: Model 9201E AXION® Emergency Tempering Valve thermostatically mixes hot and cold water to provide a safe fluid supply for emergency showers and eyewash equipment, with a flow rate of 31 gpm (117.3 L).
- Emergency Alarm System: Model 9001, 1-1/4" 120 VAC emergency alarm and light system. Buzzer and flashing light are activated by an 1-1/4" double pole, double throw flow switch.
- Emergency Alarm System: Model 9001, 1-1/4" 120 VAC emergency alarm and light system. Buzzer and flashing light are activated by an 1-1/4" double pole, double throw flow switch.
- AXION® MSR Showerhead: Model SP829SS, AXION® MSR stainless steel drench showerhead with integral 20 gpm (75.7 L) flow control.

For more information, visit www.hawsco.com or call (888) 640-4297.

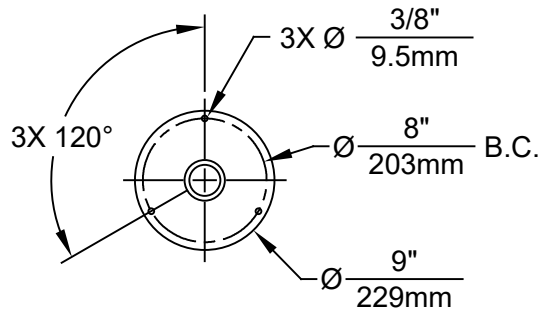
APPLICATIONS

Where the eyes, face, or body of any person may be exposed to injurious or corrosive materials, suitable facilities for quick drenching or flushing of the eyes, face, and body shall be provided within the work area for immediate emergency use. Emergency eye/face wash facilities and deluge showers shall be in unobstructed and accessible locations that require no more than 10 seconds for the injured person to reach. Model 8317 is certified by CSA to meet the ANSI Z358.1 Standard for Emergency Eyewash and Shower Equipment.

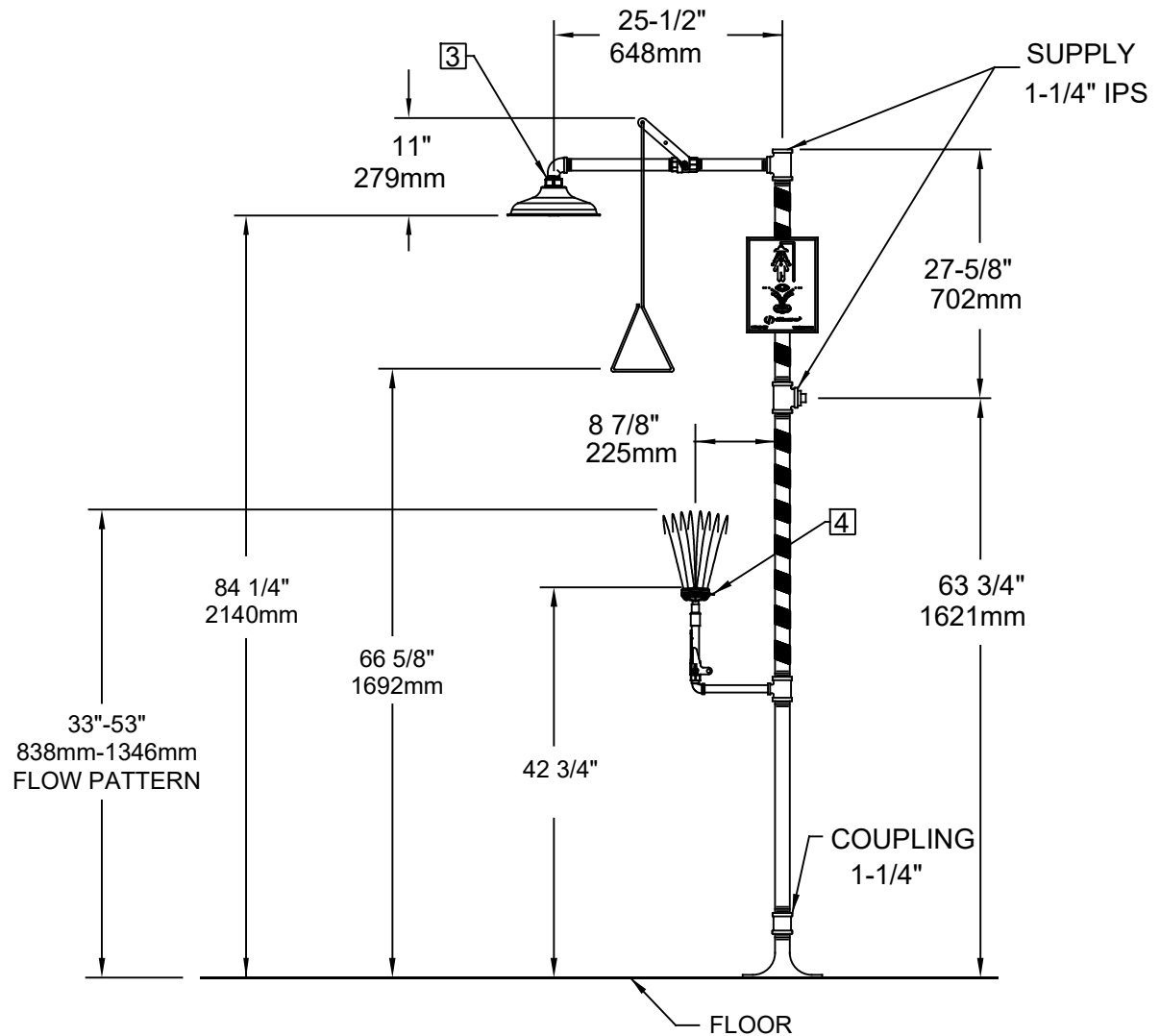




EYE/FACE WASH DETAIL



MOUNTING DETAIL



NOTES:

1. WHEN INSTALLING THIS UNIT, LOCAL, STATE, OR FEDERAL CODES SHOULD BE ADHERED TO FOR INSTALLATION DIMENSIONS (LOCATIONS), WASTE AND SUPPLY REQUIREMENTS OTHER THAN SHOWN.
2. TO COMPLY WITH ANSI Z358.1-2014 FOR EMERGENCY EYEWASH OR EYE/FACE WASH:
 - EYEWASH OR EYE/FACE WASH SHALL BE POSITIONED SUCH THAT FLUSHING FLUID PATTERN IS NOT LESS THAN 33" (838mm), NO GREATER THAN 53" (1346mm) FROM SURFACE ON WHICH USER STANDS, AND 6.0" (153mm) MINIMUM FROM WALL OR NEAREST OBSTRUCTION.
 - SHOWER SHALL BE POSITIONED SUCH THAT SHOWER HEAD IS NOT LESS THAN 82" (2083mm) AND NO GREATER THAN 96" (2438mm) FROM SURFACE ON WHICH USER STANDS.
 - SHOWER SPRAY PATTERN SHALL HAVE A MINIMUM DIAMETER OF 20" (508mm) AT 60" (1524mm) ABOVE SURFACE ON WHICH USER STANDS. CENTER OF SPRAY PATTERN SHALL BE LOCATED AT LEAST 16" (406mm) FROM ANY OBSTRUCTION.

3. DO NOT USE REGULAR PIPE SEALANT. IF NECESSARY USE DOW CORNING 832 SEALANT PLACING 5 SMALL BEADS ON MALE THREADS, JUST ABOVE THE FIRST THREAD.
4. ORIENT TAB ON EYE/FACE WASH TOWARD BACK OF SHOWER.
5. DIMENSIONS MAY VARY BY ±1/2" (13mm).



1455 KLEPPE LANE
SPARKS, NEVADA 89431
(775) 359-4712 FAX (775) 359-7424
E-MAIL: HAWS@HAWSCO.COM
WEBSITE: WWW.HAWSCO.COM

ECN NO. REVISED PER BY: JL		MODEL(S)		PART NUMBER	
ECN: 5866		8317		0002080152.D	
DRAWN: CH	DATE: 05/91	CHKD: BJM	REVISION		
APPROVED: JL			23		
DATE: 01/12/23		SCALE: 1:1	DRAWING TYPE: INSTALLATION	SIZE: A	SHEET 1 OF 1