



# Haws®

# model 8330

AXION® MSR Combination Corrosion Resistant Shower and Eye/Face Wash

## FEATURES & BENEFITS

### CONSTRUCTION

1-1/4" Type 304 Stainless Steel pipe and fittings along with cast finished stainless steel 9" (22.9 cm) diameter floor flange provide a superior defense in a highly corrosive environment.

### EYE/FACE WASH HEAD

AXION® MSR eye/face wash head uses an inverted directional laminar flow to sweep contaminants away from the vulnerable nasal cavity.

### SHOWERHEAD

AXION® MSR stainless steel showerhead uses a hydrodynamic design to give equal distribution of water throughout the entire footprint of flow.

### BALL VALVES

Eye/face wash valve is designed to make the flushing of contaminants occur with the simple push of a stainless steel flag. Shower ball valve is designed to make the flushing of fluid occur with the pull of a triangular lever. Both are made of Type 316 stainless steel.

### IN-LINE STRAINER

Type 304 Stainless Steel in-line 50 x 50 mesh water strainer supplies added protection against corrosion and prevents debris from reaching the eye/face wash so the 8330 stays functioning at its best. Strainer is easily serviceable. Stainless steel dust cover protects eye/face wash head as well as bowl up until the last second before use further optimizing operation.

### QUALITY CONTROL

Eye/face wash and valve assembly are pre-built and fully water/pressure tested to ensure no leaks and proper function which ultimately reduces installation time.



## SPECIFICATIONS

Model 8330 Type 304 Stainless Steel combination shower and eye/face wash shall include an 11" (27.9 cm) round bowl, an AXION® MSR eye/face wash head that supplies an inverted directional laminar flow which achieves Zero Vertical Velocity" supplied by an integral 3.7 gpm flow control. Unit shall also include the AXION MSR hydrodynamic design showerhead with 20 gpm flow control, eyewash dust cover, stainless steel 50 x 50 mesh water strainer, and Type 316 Stainless Steel stay-open shower and eyewash ball valves equipped with stainless steel ball and stem. Unit shall also include a cast 9" (22.9 cm) diameter floor flange, universal sign, self-adhesive high visibility Safety Green and bright yellow stripes, and 1-1/4" NPT supply.

## APPLICATIONS

In an environment where materials need to withstand the greatest corrosion, where eyes, face, or body of any person may be exposed to these injurious or corrosive materials, suitable facilities for quick drenching or flushing of the eyes, face, and body shall be provided within the work area for immediate emergency use. Emergency eye/face wash facilities and deluge showers shall be in unobstructed and accessible locations that require no more than 10 seconds for the injured person to reach. Model 8330 is certified by CSA to meet the ANSI Z358.1 Standard for Emergency Eyewash and Shower Equipment.



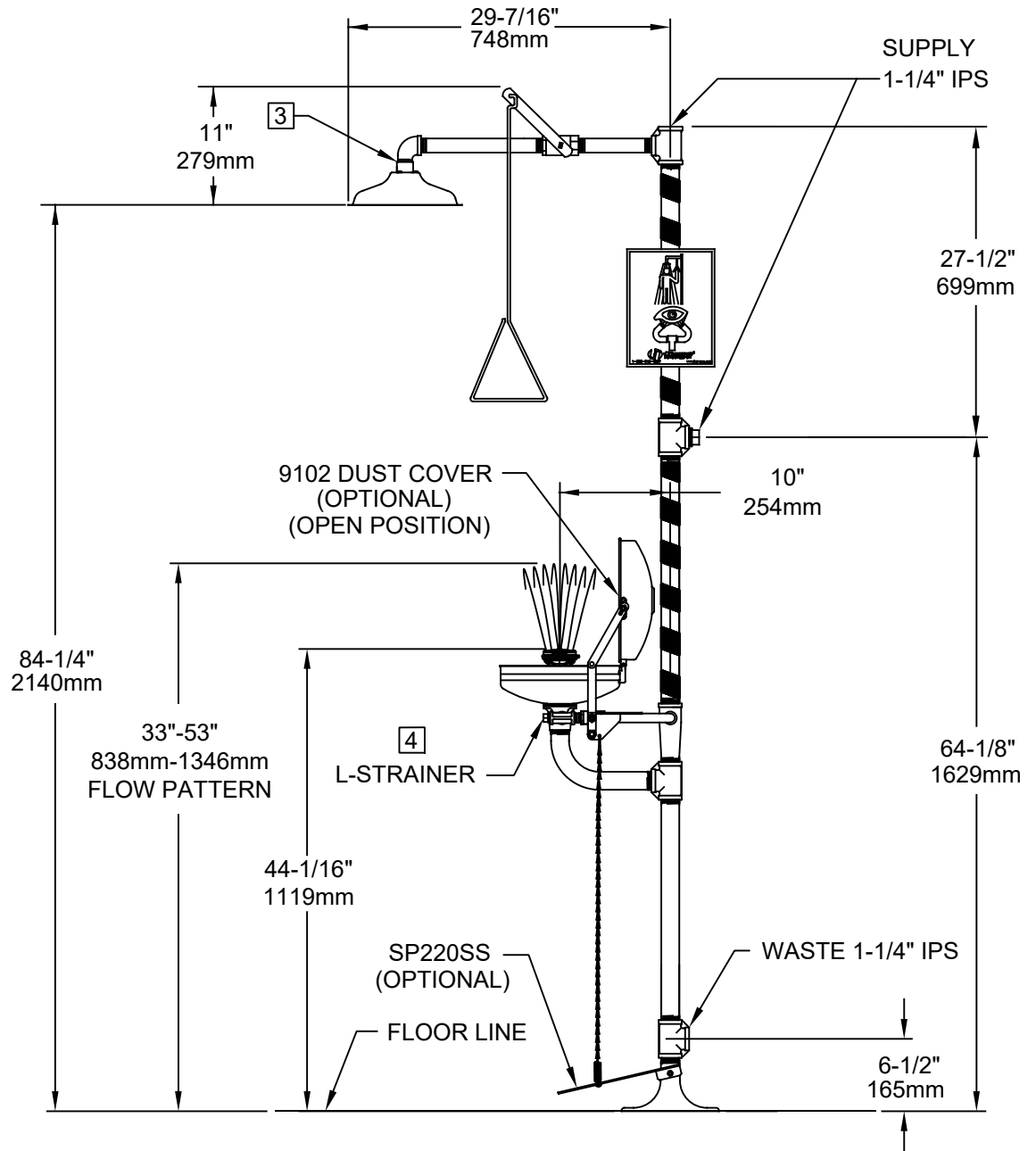
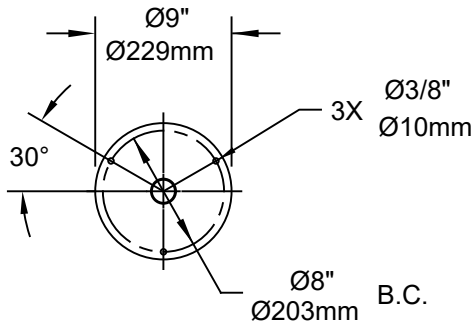
## OPTIONS

- Scald Protect Bleed Valve: Model SP157A, stainless steel scald protection bleed valve. Automatic thermal actuator bleed valve opens when internal water temperature reaches 98° F (36.7° C) and closes at 95° F (35° C).
- Thermostatic Mixing Valve: Model 9201E AXION® Emergency Tempering Valve thermostatically mixes hot and cold water to provide a safe fluid supply for emergency showers and eyewash equipment, with a flow rate of 31 gpm (117.3 L).
- Emergency Alarm System: Model 9001, 1-1/4" 120 VAC emergency alarm and light system. Buzzer and flashing light are activated by an 1-1/4" double pole, double throw flow switch.
- Dust Cover: Model 9102 is a stainless steel cover that protects the eyewash heads as well as the bowl.

For more information, visit [www.hawesco.com](http://www.hawesco.com) or call (888) 640-4297.

NOTES:

1. WHEN INSTALLING THIS UNIT, LOCAL, STATE, OR FEDERAL CODES SHOULD BE ADHERED TO FOR INSTALLATION DIMENSIONS (LOCATIONS), WASTE AND SUPPLY REQUIREMENTS OTHER THAN SHOWN.
2. TO COMPLY WITH ANSI Z358.1-2014 FOR EMERGENCY EYEWASH OR EYE/FACE WASH:
  - EYEWASH OR EYE/FACE WASH SHALL BE POSITIONED SUCH THAT FLUSHING FLUID PATTERN IS NOT LESS THAN 33" (838mm) AND NO GREATER THAN 53" (1346mm) FROM SURFACE ON WHICH USER STANDS; AND 6.0" (153mm) MINIMUM FROM WALL OR NEAREST OBSTRUCTION.
  - SHOWER SHALL BE POSITIONED SUCH THAT SHOWER HEAD IS NOT LESS THAN 82" (2083mm) OR GREATER THAN 96" (2438mm) FROM SURFACE ON WHICH USER STANDS.
  - SHOWER SPRAY PATTERN SHALL HAVE A MINIMUM DIAMETER OF 20" (508mm) AT 60" (1524mm) ON WHICH USER STANDS. CENTER OF SPRAY PATTERN SHALL BE LOCATED AT LEAST 16" (406mm) FROM NEAREST OBSTRUCTION.
- 3 IF NECESSARY USE LOCTITE 567 SEALANT ON MALE THREADS, JUST ABOVE THE FIRST THREAD.
- 4 REMOVE 1/2" NPT PLUG TO GAIN ACCESS TO STRAINER FOR CLEANING. WHEN RE-ASSEMBLING STRAINER AND PLUG, MAKE SURE THAT STRAINER IS FULLY PRESSED INTO PLUG CAVITY, PRIOR TO THREADING PLUG INTO TEE.
5. DIMENSIONS MAY VARY BY ±1/2" (13 mm).



1455 KLEPPE LANE  
 SPARKS, NEVADA 89431  
 (775) 359-4712 FAX (775) 359-7424  
 E-MAIL: HAWS@HAWS.CO.COM  
 WEBSITE: WWW.HAWS.CO.COM

ECN NO.	REVISED PER	BY:	MODEL(S)	PART NUMBER
	ECN: 5878	FV		0002080174.D
DRAWN:	DATE:	CHK'D:	8330	REVISION
C. HAYES	05/91	KM		27
APPROVED:	DATE:	SCALE:	DRAWING TYPE:	SIZE:
FV	02/08/23	1/16	INSTALLATION	A