



## ON-A-WALL DRINKING FOUNTAIN F140PM

### Suggested Specification

Model F140PM is a non-refrigerated and simulated-recessed stainless steel drinking fountain for direct connection to a cold water supply or for use with remote water chillers. Shall have a mechanical push button on the front of the cabinet. Water flows as long as the button is depressed. Cabinet finish shall be brushed stainless steel. Shall comply with ANSI 117.1. Shall be listed by Underwriters Laboratories to US and Canadian standards. Shall comply with ANSI/NSF 61 and NSF/ANSI 372.

### Models

F140PM is a non-refrigerated and simulated-recessed stainless steel drinking fountain for direct connection to a cold water supply or for use with remote water chillers.

### Standard Features

- Waterways are Lead-Free in materials & construction
- Single push-button on cabinet front keeps water flowing while button is depressed
- Brushed finish stainless steel surfaces
- Built-in pressure regulator assures smooth, steady water flow
- Bottom cover plate

### Finishes

Standard cabinet finish: Stainless steel

### Installation

- Prior to roughing consult with local, state and federal codes for proper mounting height
- Shipped with complete instructions and wall mounting bracket

### Limited 1-Year Warranty

(Continental limits of the United States and Canada)  
One year from date of installation on parts only

### Export Warranty

One year on components parts. Detailed warranty certificate enclosed with each drinking fountain; sample copy available upon request.

### Certifications/Compliance

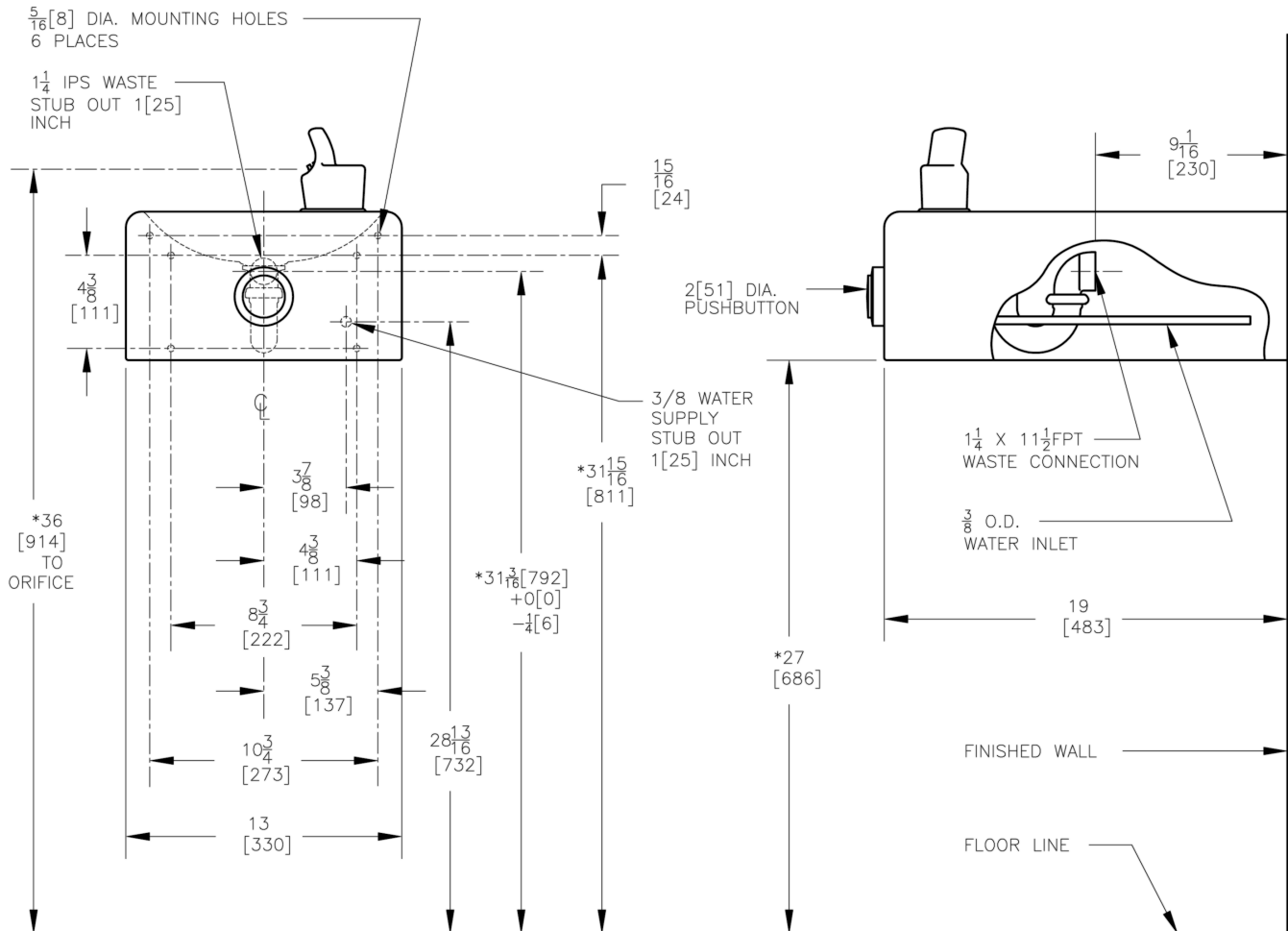
- Oasis International Electric Water Coolers are listed by Underwriters Laboratories Inc. and comply with both U.S. and Canadian Requirements.
- Product Certified to NSF/ANSI Standard 61-G & 372 and conforms with the lead content requirements for "Lead Free" plumbing as defined by California, Vermont, Maryland, and Louisiana state laws and the U.S. Safe Drinking Water Act.



Physical Dimensions In Inches

Model	Style	Height	Width	Depth	Extended From Wall	Net Wight Approx.
F140PM	On-A-Wall	10 7/8"	13"	19"	19"	13 lbs

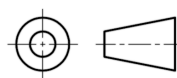
# OASIS® ON-A-WALL DRINKING FOUNTAIN MODELS F140PM



**NOTES:**

1. STOP VALVE NOT FURNISHED.
- \*2. RECOMMENDED ADULT HEIGHT INSTALLATION SHOWN. ADJUST VERTICAL DIMENSIONS AS REQ'D TO COMPLY WITH FEDERAL, STATE, AND LOCAL CODES.
3. ALL DIMENSIONS ARE IN INCHES. DIMENSIONS IN BRACKETS [ ] ARE IN MILLIMETERS.
4. THE FOLLOWING STATES REQUIRE A LICENSED PLUMBER TO INSTALL FOUNTAIN; AR, GA, MA, MI, OK, RI, SC, SD, TX, VT AND WI. CA, KS, MN, NM, AND OR ALLOW FOR A STATE REGISTERED INSTALLER OR CONTRACTOR AS WELL. STATE AND LOCAL PLUMBING CODES MAY PROHIBIT THE USE OF SADDLE TAPPING VALVES FOR WATER LINE CONNECTION IN SOME APPLICATIONS. ALL CONNECTIONS MUST CONFORM TO APPLICABLE PLUMBING CODES.

THIRD ANGLE PROJECTION



ROUGHING-IN  
AND  
DIMENSIONAL DRAWING