



Water Coolers

BARRIER-FREE UNIVERSAL SPLIT-LEVEL VERSACOOLER® II

ADA8ACBHF

Suggested Specification

Model ADA8ACBHF shall deliver 8.0 gph of 50° F water at 90° F ambient and 80° F inlet water. Model ADA8ACBHF shall include an infrared sensor to activate the flow of water. Basin shall be designed to eliminate splashing and standing water. Bubbler shall have a flexible guard and operate between 20 and 120 PSI. Cabinet finish shall be Sandstone powder coated paint on galvanized steel or brushed stainless steel. Cooling system shall use R-134a refrigerant. Shall comply with ANSI A117.1 and ADA. Shall be listed by Underwriters' Laboratories to U.S. and Canadian standards. Shall comply with ANSI/NSF 61.

Model

ADA8ACBHF delivers 8.0 gallons of chilled drinking water per hour. The infrared sensor produces a light beam that is reflected off the user to automatically start water flowing. Not even a touch is needed. If user does not move away within 30 seconds, water shuts off automatically. This model satisfies CABO/ANSI A117.1. When accessory apron is used on the upper unit, this cooler will comply with ADA guidelines when properly installed. Apron is not required when installed in an alcove or if a wing wall is installed on the right side for a right high unit or the left side for a left high unit. Model also meets guidelines for children's accessibility providing the floor to orifice height is 30 inches and proper clear floor space is provided for frontal approach.

Standard Features

- > **Universal design includes a universal side access panel and universal drain pipe** that allows the unit to be installed left high, right low **or** right high, left low
- > Built-in 100 micron strainer stops particles before they enter the waterway
- > Waterways are Lead-Free in Materials & Construction
- > Stainless Steel top
- > Flexible, one-piece Bubbler guard
- > Heavy Duty galvanized steel frame
- > High Efficiency cooling tank and coil
- > Refrigerant R-134a
- > Infrared sensor activation
- > External stream height adjustment

Finishes

- > Standard cabinet finish: Sandstone powder coated paint on galvanized steel
- > Optional finishes (at additional cost): Stainless Steel, Regency Bronze, and optional powder coated finishes

Can be installed
left high and
right low...

OR

right high and
left low



Options

- > Glass Fillers (factory installed)
- > Push Handle (029603-004)
- > Push Back (029603-005)
- > Push Down (029603-006)
- > **Oasis Green Filtration System**
- > Apron for Upper Unit
- > One Piece Tamperproof, Chrome Plated Brass Bubbler (036700-001)

Installation

- > Prior to roughing, consult with local, state and federal codes for proper mounting height
- > Shipped with complete instructions and wall mounting bracket
- > Universal side access panel and universal drain pipe for right high **or** left high installation included
- > Removable side and front panels provide easy access for installation



ADA Compliant when installed in alcove or with right wing wall, or with accessory apron or with a right wing wall for a right high unit or left wing wall for a left high unit.



Components in this fountain are lead free as defined by the Safe Drinking Water Act Amendments of 1986, and the Lead Contamination Control Act of 1988.

Powder Coated Finish Warranty (Continental limits of the United States and Canada): Three years on the powder coat finish provided that the water cooler has not been subjected to abuse, misuse or alteration.

Limited 5-Year Warranty (Continental limits of the United States and Canada): Five years on the sealed refrigeration system and most component parts. Detailed warranty certificate enclosed with each water cooler; sample available upon request.

Export Warranty: One year on the sealed refrigeration system and most component parts. Four-year replacement contract on sealed refrigeration system. Detailed warranty certificate enclosed with each drinking fountain; sample copy available upon request.

Models covered by this specification comply with all known Plumbing Codes.

Listed by Underwriters' Laboratories to U.S. and Canadian standards.

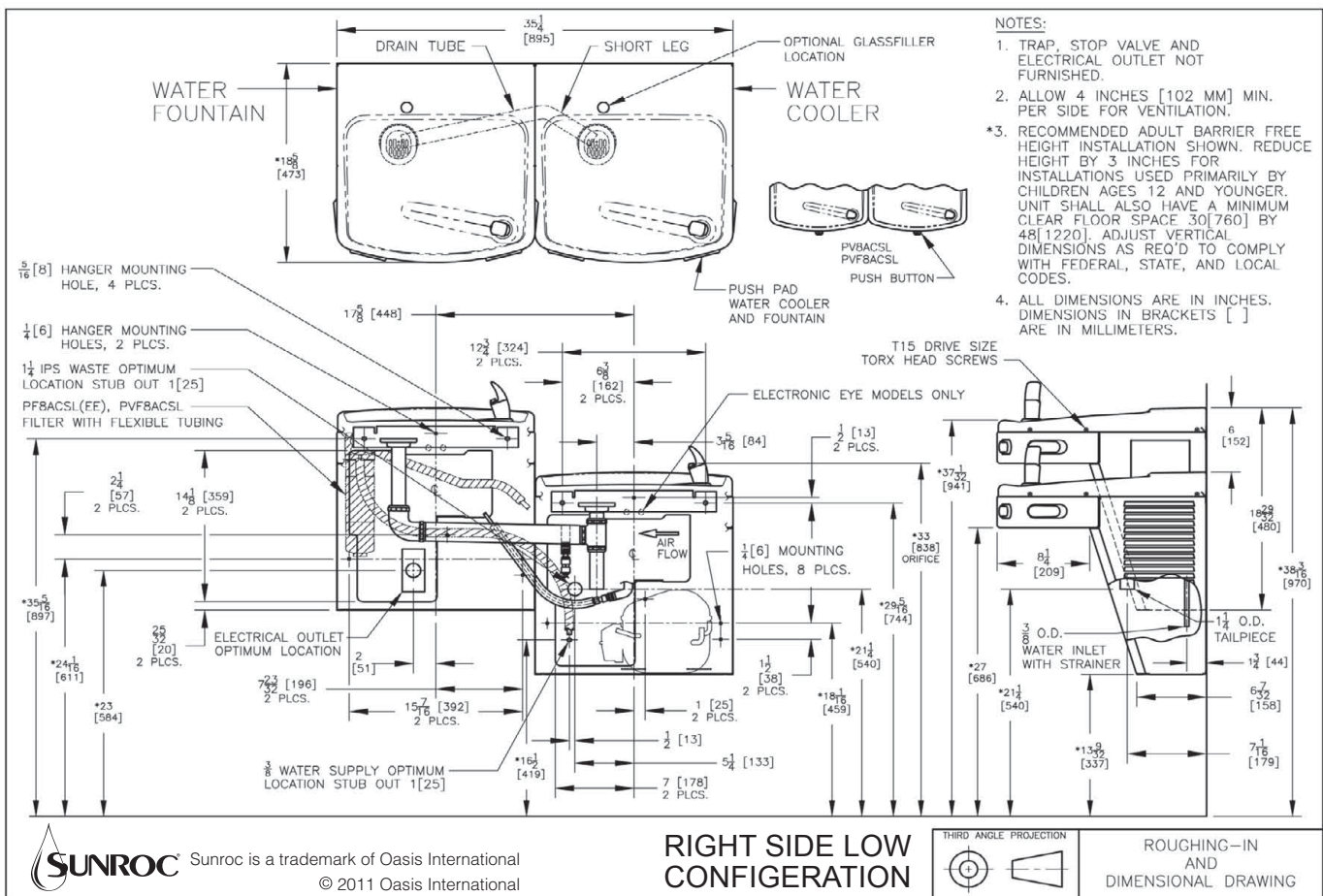
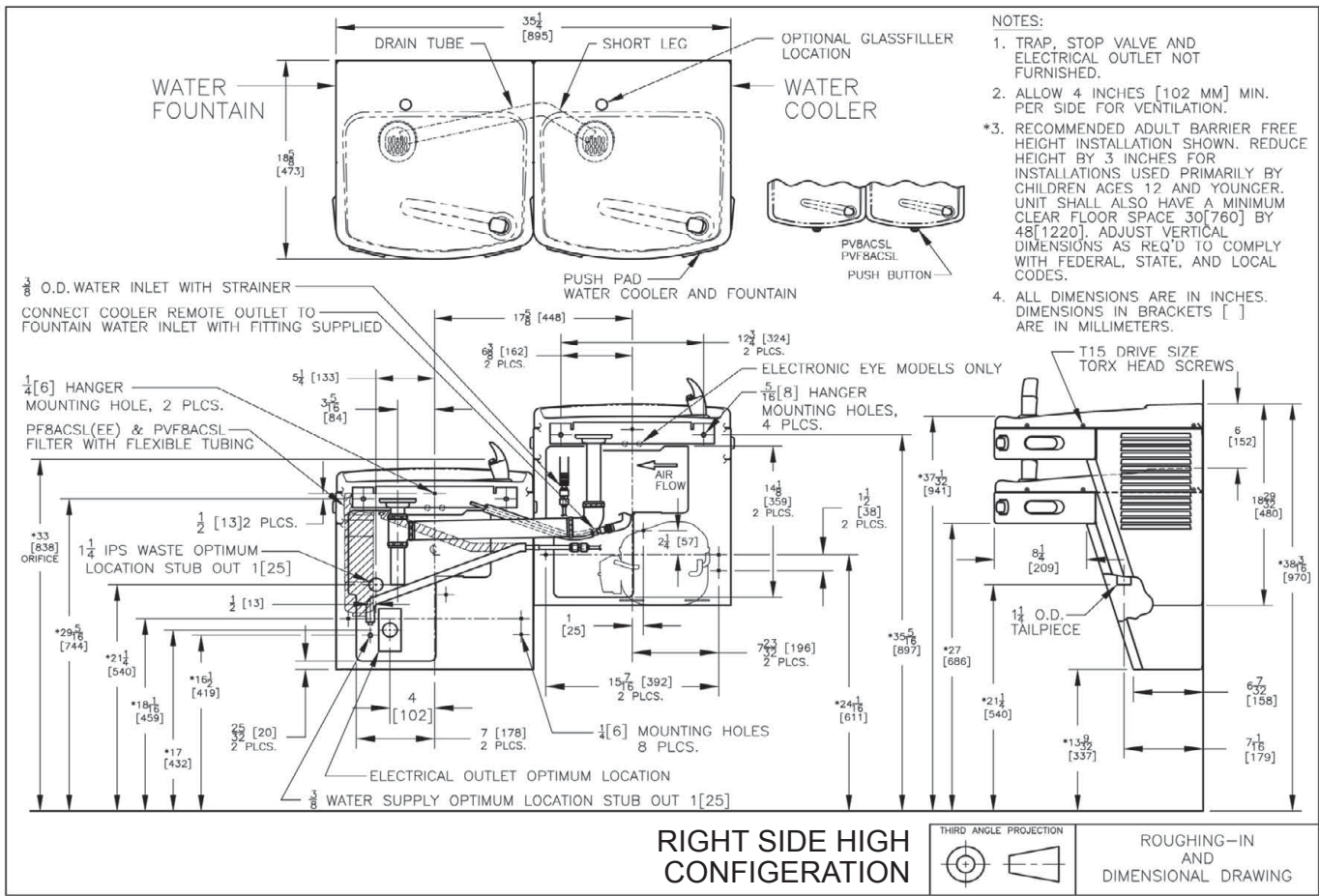


Model	50° F Drinking Water 90° F Ambient Air Temperature*			Hot 'N Cold™ Model	115 Volts, 60 Hz			Glass Filler Acces. Option	Cabinet Finish Options	Net Wt. Approx.
	Rated Capacity GPH	Base Rate GPH	Pre-Cooler		Compr. HP	Full Load Amps	Rated Watts			
ADA8ACBHF	8.0	8.0	No	No	1/4	4.4	500	Yes	Yes	84 lbs.

*Industry Standard Rating Condition 80°F inlet water temperature

Specifications subject to change without notice

SUNROC® BARRIER-FREE SPLIT-LEVEL Versacooler® II MODELS ADA8ACB, ADA8ACBHF, ADAF8ACB, ADAF8ACBHF



- NOTES:**
1. TRAP, STOP VALVE AND ELECTRICAL OUTLET NOT FURNISHED.
 2. ALLOW 4 INCHES [102 MM] MIN. PER SIDE FOR VENTILATION.
 3. RECOMMENDED ADULT BARRIER FREE HEIGHT INSTALLATION SHOWN. REDUCE HEIGHT BY 3 INCHES FOR INSTALLATIONS USED PRIMARILY BY CHILDREN AGES 12 AND YOUNGER. UNIT SHALL ALSO HAVE A MINIMUM CLEAR FLOOR SPACE 30[760] BY 48[1220]. ADJUST VERTICAL DIMENSIONS AS REQ'D TO COMPLY WITH FEDERAL, STATE, AND LOCAL CODES.
 4. ALL DIMENSIONS ARE IN INCHES. DIMENSIONS IN BRACKETS [] ARE IN MILLIMETERS.

- NOTES:**
1. TRAP, STOP VALVE AND ELECTRICAL OUTLET NOT FURNISHED.
 2. ALLOW 4 INCHES [102 MM] MIN. PER SIDE FOR VENTILATION.
 3. RECOMMENDED ADULT BARRIER FREE HEIGHT INSTALLATION SHOWN. REDUCE HEIGHT BY 3 INCHES FOR INSTALLATIONS USED PRIMARILY BY CHILDREN AGES 12 AND YOUNGER. UNIT SHALL ALSO HAVE A MINIMUM CLEAR FLOOR SPACE 30[760] BY 48[1220]. ADJUST VERTICAL DIMENSIONS AS REQ'D TO COMPLY WITH FEDERAL, STATE, AND LOCAL CODES.
 4. ALL DIMENSIONS ARE IN INCHES. DIMENSIONS IN BRACKETS [] ARE IN MILLIMETERS.