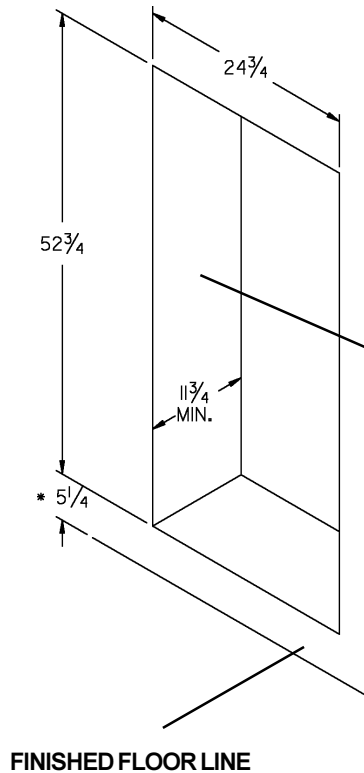
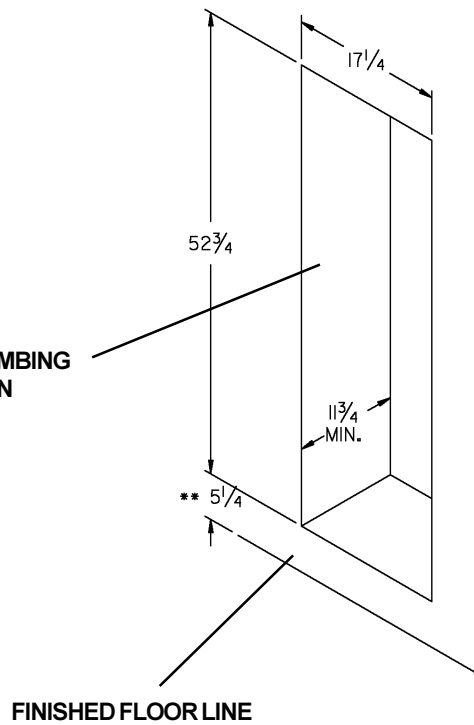


**MB23A MOUNTING BOX INSTALLATION  
FOUNTAIN WITH CUP DISPENSER**

**MB23A MOUNTING BOX INSTALLATION  
FOUNTAIN ONLY**

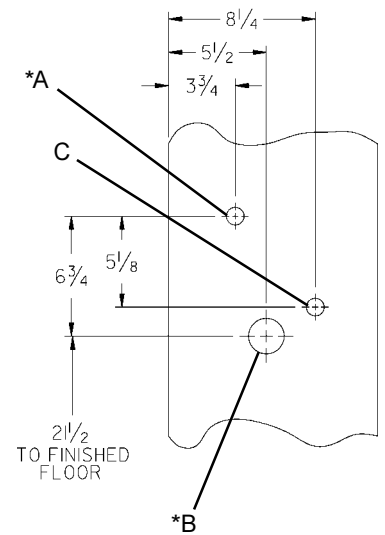


SEE PLUMBING  
ROUGH-IN



FINISHED FLOOR LINE

**\*\* BASED ON 34" FROM FINISHED FLOOR TO RIM.  
(39" TO CENTERLINE OF GLASS FILLER)**



PLUMBING ROUGH-IN

**LEGEND:**

**\*A = RECOMMENDED WATER SUPPLY LOCATION 3/8" O.D. UNPLATED COPPER TUBE CONNECT, STUB 1-1/2" (38mm) OUT FROM WALL, SHUT OFF BY OTHERS (LEFT SIDE ONLY).**

**\*B = RECOMMENDED LOCATION FOR WASTE OUTLET 1-1/4" O.D. DRAIN (LEFT SIDE ONLY).**

**C = ELECTRICAL SUPPLY LOCATION (BOTH SIDES).**

**NOTES:**

**1. THERE ARE HOLES AND KNOCKOUTS PROVIDED ON EACH SIDE OF THE MOUNTING BOX THAT ARE INTENDED TO BE USED TO MOUNT THE BOX. USE SIX SCREWS OR BOLTS (NOT PROVIDED).**

**\*2. WATER AND DRAIN CONNECTIONS MUST BE MADE FROM LEFT SIDE ONLY.**

FOR PARTS, CONTACT YOUR LOCAL DISTRIBUTOR OR CALL 1.800.323.0620