

# ELKAY® SPECIFICATIONS

## Direct Bury Fountain Adapter Kit Model No. 97890C

### GENERAL

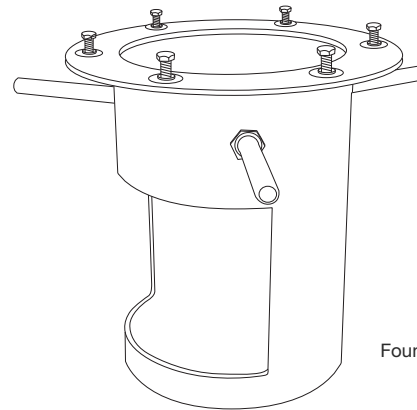
Makes rough-in and installation easier for all models of non-freeze resistant tubular fountains. Opening in adapter allows for simplified routing of water supply and drain into the fountain body. 3/4" rods provide added stability. Steel and E-coat immersion which coats the outside and inside of the adapter for the ultimate in corrosion protection.

#### Kits consists of:

- Adapter Panel
- (3) 3/4" Rods
- Assorted hardware (nuts, bolts and washers) needed for installation
- Installation instructions

When ordering use part #97890C

Shipping Weight: 40 lbs.

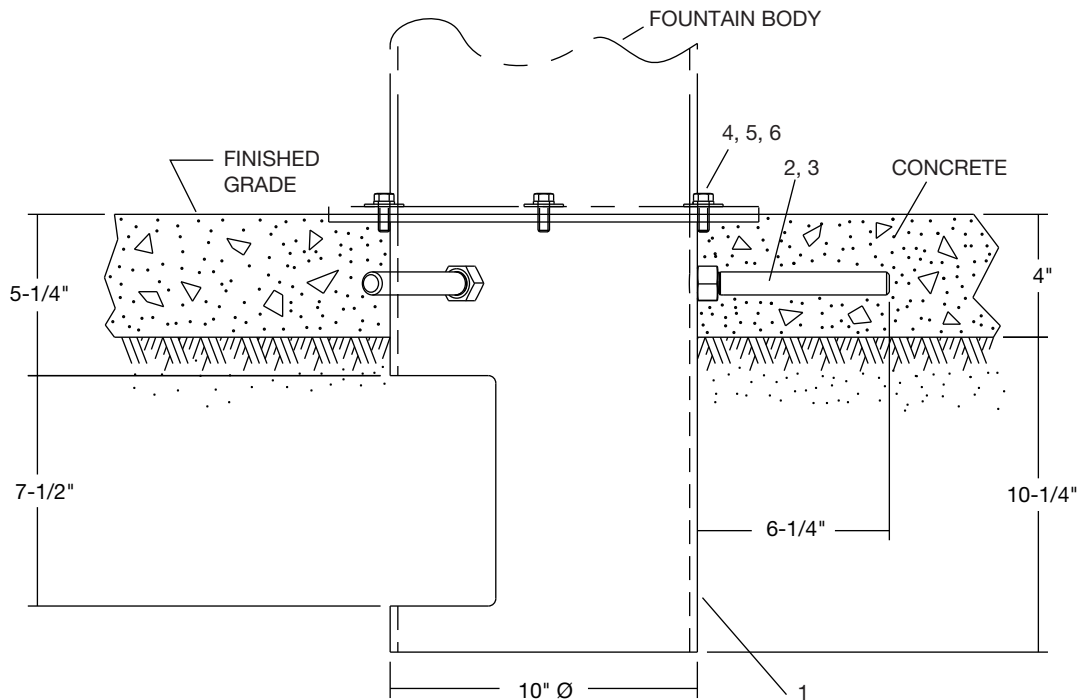


Fountain Adapter Kit

PARTS LIST		
Item No.	Part No.	Description
1	45835C	Adapter – Direct Bury Fountain
2	75618C	Rod – 3/4" Diameter
3	75616C	Nut – 3/4" 10UNC-2B Hex.
4	70204C	Bolt – 3/8" 16UNC-2A Hex. Head
5	75611C	Washer – 3/8" Lock
6	70421C	Washer – 3/8" Plain

### INSTALLATION INSTRUCTIONS

1. Thread nuts (Item 3) onto rods (Item 2) (one nut per rod).
2. Thread rods into adapter cylinder (Item 1) and tighten nuts against cylinder securely.
3. Place washers (Item 6) on bolts (Item 4) (one washer per bolt). Assemble bolts into adapter flange. **Thread bolts all the way in.**
4. Secure adapter into concrete forms as per standard practice and as shown below. Be sure to align adapter for proper location of **water inlet line**, **drain line**, and required **fountain alignment**.
5. After sufficient cure of concrete, remove flange bolts and washers.
6. Mount fountain assembly per instructions supplied with fountain and Items 4, 5 and 6.



In keeping with our policy of continuing product improvement, Elkay reserves the right to change product specifications without notice.

This specification describes an Elkay product with design, quality and functional benefits to the user. When making a comparison of other producers' offerings, be certain these features are not overlooked.