

ELKAY® SPECIFICATIONS

No Lead Two-Level SwirlFlo® Wall Mount, Barrier-Free Drinking Fountain Model EDFPBM117C/EDFPB117C

GENERAL

Fully exposed two-level fountain basins are #18 gauge, 300 series stainless steel polished to a lustrous satin finish with high shine outer edge. #16 gauge, 300 series tubular stainless steel support arms incorporate unique recess to be integrated with basin. One fountain positioned lower on the right for wheelchair use. The other positioned on the left at standing height.

Fountains have contoured basin that minimizes splashing. Flexi-Guard® safety bubblers are keyed in location to prevent rotation. Fully functional, vandal-resistant front push button. Flow regulator provides constant stream from 20 to 105 psi water pressure.

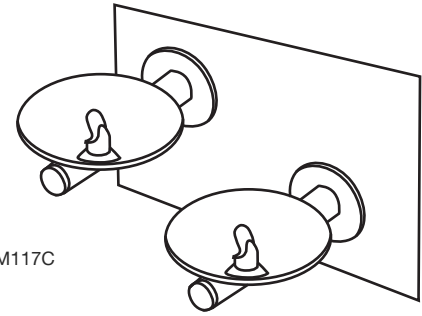
THIS DRINKING FOUNTAIN COMPLIES WITH THE REQUIREMENTS OF A.D.A. (AMERICANS WITH DISABILITIES ACT) PROVIDING THE UNIT IS INSTALLED IN AN ALCOVE OR WITH LEFT WING WALL.

NO LEAD DESIGN

THIS DRINKING FOUNTAIN COMPLIES WITH THE LEAD-FREE DEFINITION IN THE SAFE DRINKING WATER ACT OF 1986 AND LEAD CONTAMINATION CONTROL ACT OF 1988.

Elkay Drinking Fountains are manufactured with a waterway system utilizing copper components and completely lead-free material. These waterways have no lead because all leaded materials, such as leaded brass, have been removed.

This fountain is certified by WQA to lead-free compliance including NSF/ANSI 61-ANNEX G, AB 1953.



Model EDFPBM117C

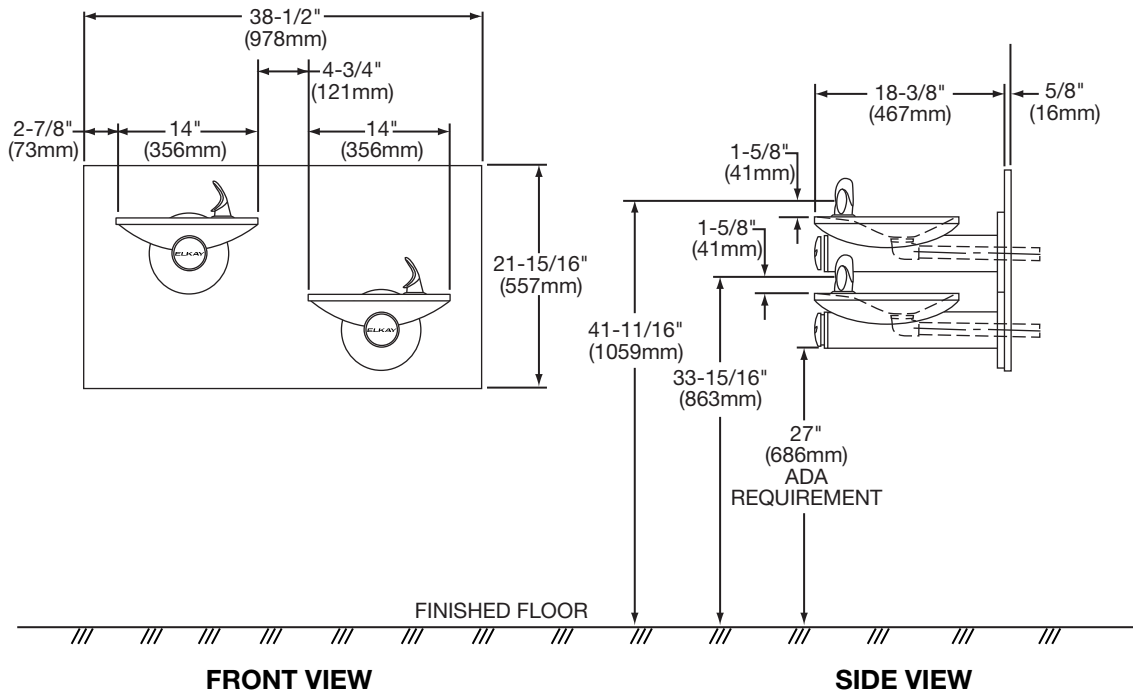
CONSTRUCTION

EDFPBM117C two-level fountain furnished complete with Flexi-Guard® fully assembled with front push button, flow regulator (120 to 105 psi), stainless steel back panel and surface mounting plate. No traps are furnished.

ALSO AVAILABLE

Model EDFPBMV117C: Includes vandal-resistant bubblers. Heavy duty, one-piece construction, chrome plated brass.

Models EDFPB117C and EDFPBV117C do not include the surface mounting plate. Designed to mount with **MPW200** in-wall mounting plate xarrier accessory. **ML100** in-wall support legs are optional.



In keeping with our policy of continuing product improvement, Elkay reserves the right to change product specifications without notice. Please visit elkayusa.com for most current version of Elkay product specification sheets.

This specification describes an Elkay product with design, quality and functional benefits to the user. When making a comparison of other producers' offerings, be certain these features are not overlooked.

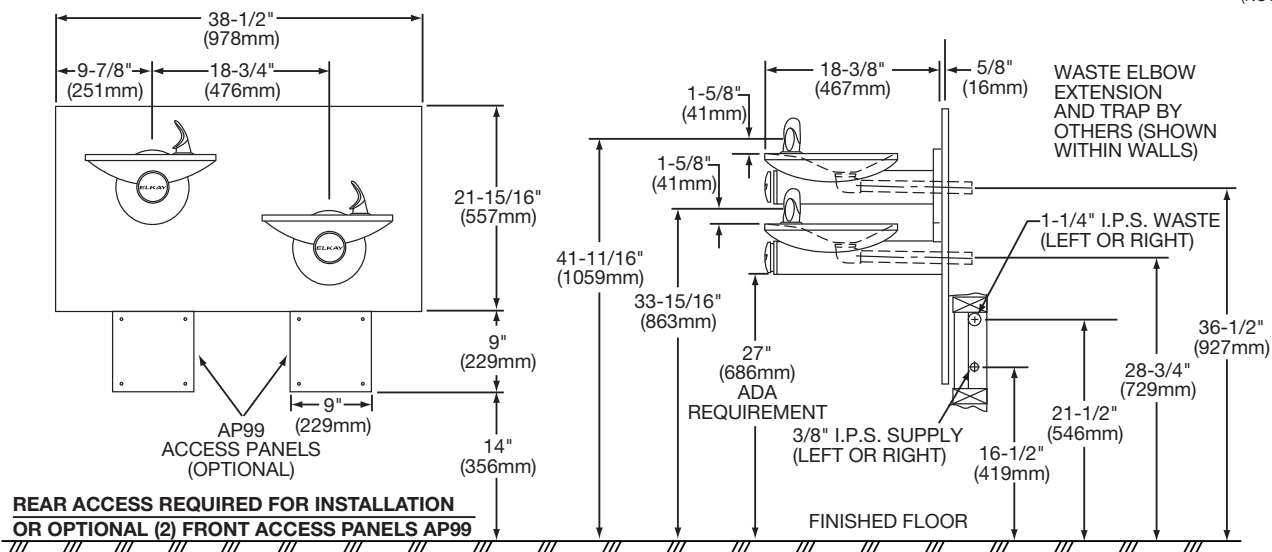
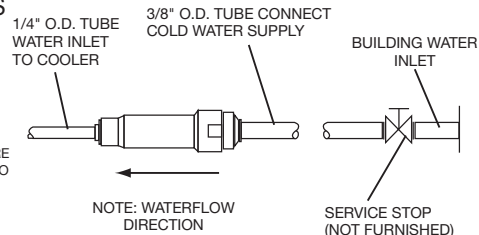
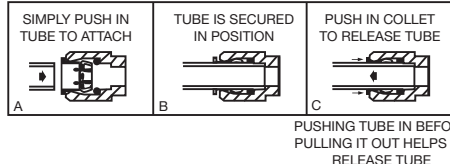
**No Lead Two-Level SwirlFlo®
Wall Mount, Barrier-Free
Drinking Fountain
Model EDFPB117C/EDFPB117C**

**ELKAY®
ROUGH-IN DIMENSIONS**

INSTALLER NOTE

THIS DRINKING FOUNTAIN IS FURNISHED WITH A BUBBLER AND VALVE INCLUDING ALL CONNECTING FITTINGS WHICH ARE MANUFACTURED OF COMPLETELY LEAD FREE MATERIAL. SHUT OFF VALVE (NOT FURNISHED) TO ACCEPT 3/8" O.D. UNPLATED COPPER TUBE.

OPERATION OF QUICK CONNECT FITTINGS



**SURFACE MOUNTING PLATE INSTRUCTIONS
(SEE MP20 SPEC SHEET FOR DETAILS)**

NOTE: Reinforce the wall in the shaded areas to support up to 300 lbs. static load.

