

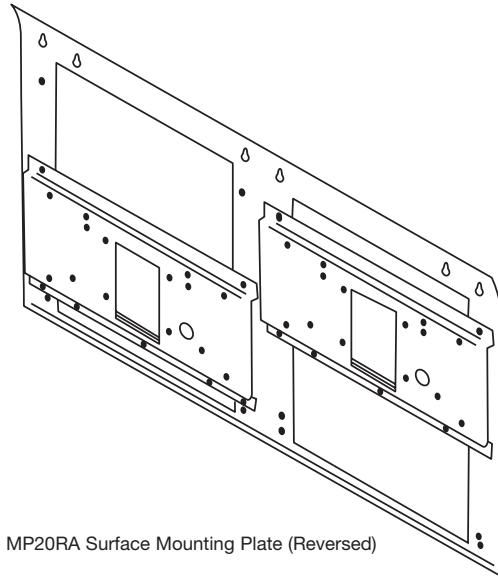
# ELKAY® SPECIFICATIONS

## Surface Mounting Plate (Reversed) MP20RA

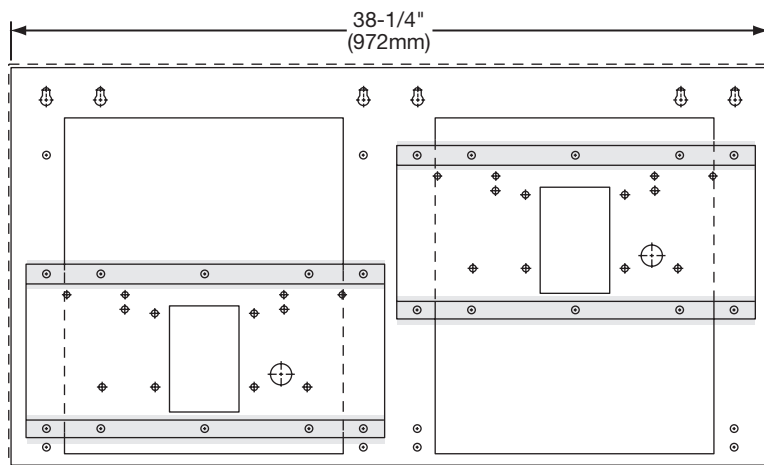
### GENERAL

**MP20RA** Surface mounting plate (Reversed) available for installations requiring additional support. Can be secured to a variety of load-bearing surfaces. Installation instructions included with unit.

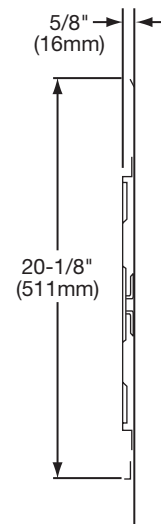
**MP20RA** Surface mounting plate (Reversed) is available as an optional accessory for two-level Square Front models **EDFPA17RAC** or Soft Sides® models **EDFP217RAC** or SwirlFlo® fountain model **EDFPBM117RAC**.



MP20RA Surface Mounting Plate (Reversed)



FRONT VIEW



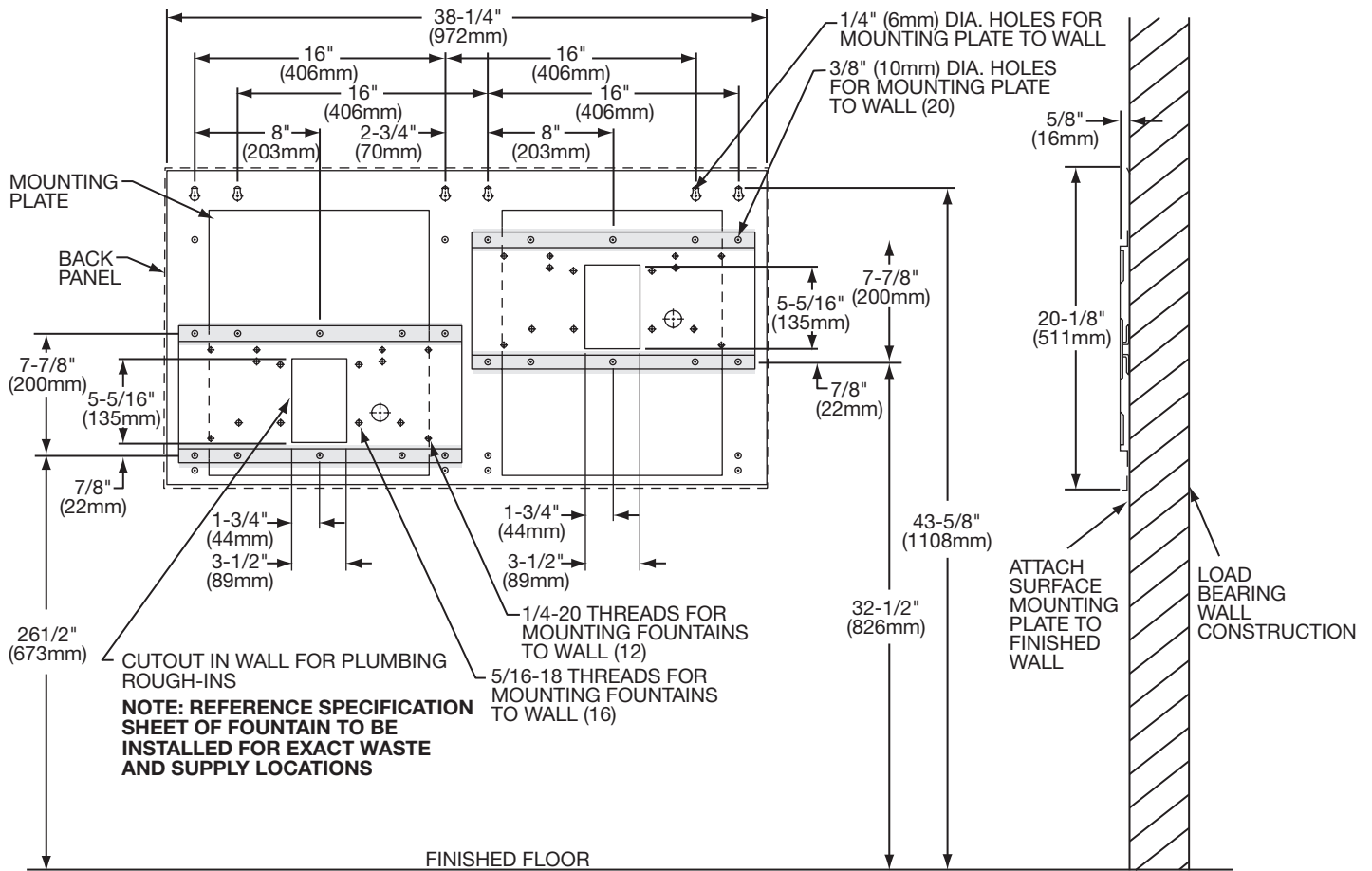
SIDE VIEW

*In keeping with our policy of continuing product improvement, Elkay reserves the right to change product specifications without notice.*

*This specification describes an Elkay product with design, quality and functional benefits to the user. When making a comparison of other producers' offerings, be certain these features are not overlooked.*

**Surface Mounting Plate (Reversed)  
MP20RA**

**ELKAY®  
ROUGH-IN DIMENSIONS**



**MP20RA MOUNTING PLATE INSTRUCTIONS**

- 1. Remove mounting plate from packaging. Read this instruction sheet before proceeding.** These dimensions are required to obtain proper rim and bubbler heights for compliance with ANSI standard A117.1.
- 2. Install plumbing rough-ins** as per fountain instructions (supplied with fountain).  
**NOTE: Reference specification sheet of fountain to be installed for exact waste and supply locations.**
- 3. Install (2) 1/4" (6mm) screws** (not provided) into wall at 43-5/8" above finished floor. Use the two best hole locations for your application. Hang mounting plate on these screws and level mounting plate before tightening screws.
- 4. Reinforce the wall in shaded areas** for framed wall construction so that it will adequately support the water fountain. This reinforcement must support up to 300 lbs. static load and provide a means for securing the mounting plate in place.
- 5. Attach mounting plate** to finished wall surface with (12) 5/16" x 2" long bolts and flat washers, 6 per bracket (not provided). Tighten securely. (Fastener must match wall type, i.e. lag screws for wood studs, bolts and anchors for masonry construction.)