

PRODUCT SPECIFICATIONS

Elkay Crosstown Stainless Interchangeable Apron™, Platinum.
Overall dimensions are 35-7/8" x 2-5/16" x 9-5/16". Made of
Stainless Steel.

Material:	Stainless Steel
Finish:	Platinum
Gauge:	16
Dimensions:	35-7/8" x 2-5/16" x 9-5/16"
Shipping Weight:	15 lbs.
Mounting Hardware:	Yes

Special Note: For use with Crosstown Farmhouse Sink with Interchangeable Apron feature; sink sold separately.

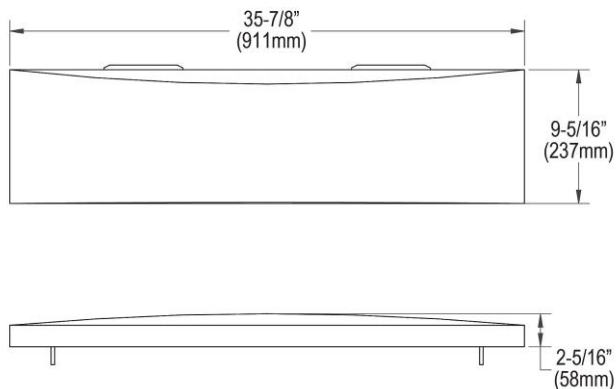
Interchangeable Apron: The stylish look of a farmhouse sink with the ability to change the color and material of the apron from day to night, or whenever the mood strikes you. **Patents Pending**

- **SEVEN APRON COLORS:** Select from six beautiful stainless hues of red, blue, black, silver, gold and copper, or go with a crisp white in fireclay.
- **QUICK AND EASY APRON SWAP:** Change the apron without removing or reinstalling sink; change seasonally or give kitchen a new look from day to night.
- **MIXED MATERIALS:** Pair the classic durability of a stainless sink with colorful aprons in stainless steel and fireclay to match your style and mood.
- **ITEMS SOLD SEPARATELY:** Crosstown sink for Interchangeable Apron feature and Interchangeable Aprons are purchased separately.
- **COMPATIBILITY:** Aprons are compatible with sink models CTXF134179R(C), CTXF234179(C), and CTXFA34179(C).



AMERICAN PRIDE. A LIFETIME TRADITION.
Like your family, the Elkay family has values and traditions that endure. For almost a century, Elkay has been a family-owned and operated company, providing thousands of jobs that support our families and communities.

- [Clean and Care Manual \(PDF\)](#)
- [Installation Instructions \(PDF\)](#)
- [Warranty \(PDF\)](#)



PART: _____ QTY: _____

PROJECT: _____

CONTACT: _____

DATE: _____

NOTES: _____

APPROVAL: _____

In keeping with our policy of continuing product improvement, Elkay reserves the right to change product specifications without notice. Please visit elkay.com for the most current version of Elkay product specification sheets. This specification describes an Elkay product with design, quality, and functional benefits to the user. When making a comparison of other producers' offerings, be certain these features are not overlooked.