

**PRODUCT SPECIFICATIONS**

Elkay Crosstown Stainless Interchangeable Apron™, Scarlet.  
Overall dimensions are 35-7/8" x 2-5/16" x 9-5/16". Made of  
Stainless Steel.

<b>Material:</b>	Stainless Steel
<b>Finish:</b>	Scarlet
<b>Gauge:</b>	16
<b>Dimensions:</b>	35-7/8" x 2-5/16" x 9-5/16"
<b>Shipping Weight:</b>	15 lbs.
<b>Mounting Hardware:</b>	Yes

**Special Note:** For use with Crosstown Farmhouse Sink with Interchangeable Apron feature; sink sold separately.

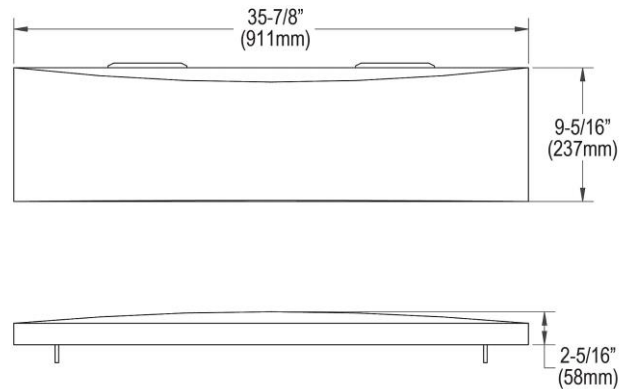
**Interchangeable Apron:** The stylish look of a farmhouse sink with the ability to change the color and material of the apron from day to night, or whenever the mood strikes you. **Patents Pending**

- **SEVEN APRON COLORS:** Select from six beautiful stainless hues of red, blue, black, silver, gold and copper, or go with a crisp white in fireclay.
- **QUICK AND EASY APRON SWAP:** Change the apron without removing or reinstalling sink; change seasonally or give kitchen a new look from day to night.
- **MIXED MATERIALS:** Pair the classic durability of a stainless sink with colorful aprons in stainless steel and fireclay to match your style and mood.
- **ITEMS SOLD SEPARATELY:** Crosstown sink for Interchangeable Apron feature and Interchangeable Aprons are purchased separately.
- **COMPATIBILITY:** Aprons are compatible with sink models CTXF134179R(C), CTXF234179(C), and CTXFA34179(C).



**AMERICAN PRIDE. A LIFETIME TRADITION.**  
Like your family, the Elkay family has values and traditions that endure. For almost a century, Elkay has been a family-owned and operated company, providing thousands of jobs that support our families and communities.

- [Clean and Care Manual \(PDF\)](#)
- [Installation Instructions \(PDF\)](#)
- [Warranty \(PDF\)](#)



PART: \_\_\_\_\_ QTY: \_\_\_\_\_

PROJECT: \_\_\_\_\_

CONTACT: \_\_\_\_\_

DATE: \_\_\_\_\_

NOTES: \_\_\_\_\_

APPROVAL: \_\_\_\_\_

*In keeping with our policy of continuing product improvement, Elkay reserves the right to change product specifications without notice. Please visit [elkay.com](http://elkay.com) for the most current version of Elkay product specification sheets. This specification describes an Elkay product with design, quality, and functional benefits to the user. When making a comparison of other producers' offerings, be certain these features are not overlooked.*