

PRODUCT SPECIFICATIONS

Elkay Crosstown® 16 Gauge Stainless Steel 35-7/8" x 20-5/16" x 9" Double Bowl Farmhouse Sink for Interchangeable Apron™. Sink is manufactured from 16 gauge 304 Stainless Steel with a Polished Satin finish, Rear Center drain placement, and Full spray sides and bottom with Sides and Bottom pads. Interchangeable Aprons are sold separately.



*Apron sold separately.

Installation Type:	Farmhouse
Material:	304 Stainless Steel
Special Features:	Interchangeable Apron
Finish:	Polished Satin
Gauge:	16
Sound Deadening:	Full spray sides and bottom with Sides and Bottom pads
Number of Bowls:	2
Sink Dimensions:	35-7/8" x 20-5/16" x 9-7/8"
Bowl 1 Dimensions:	18-15/16" x 17" x 9"
Bowl 2 Dimensions:	13-15/16" x 17" x 9"
Drain Size:	3-1/2" (89mm)
Drain Location:	Rear Center
Minimum Cabinet Size:	36"
Mounting Hardware:	Part # 54300008 included
Template Included:	No

Special Note: Apron(s) for Crosstown Farmhouse Sink with Interchangeable Apron feature sold separately.

Interchangeable Apron: The stylish look of a farmhouse sink with the ability to change the color and material of the apron from day to night, or whenever the mood strikes you. **Patents Pending**

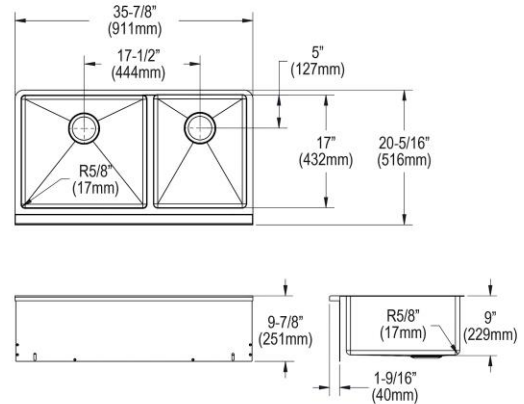
AMERICAN PRIDE. A LIFETIME TRADITION.
Like your family, the Elkay family has values and traditions that endure. For almost a century, Elkay has been a family-owned and operated company, providing thousands of jobs that support our families and communities.

Product Compliance: ASME A112.19.3/CSA B45.4



Sinks are listed by IAPMO® as meeting the applicable requirements of the Uniform Plumbing Code®, International Plumbing Code®, and National Plumbing Code of Canada.

[Clean and Care Manual \(PDF\)](#)
[Installation Instructions \(PDF\)](#)
[Warranty \(PDF\)](#)



PART: _____ QTY: _____

PROJECT: _____

CONTACT: _____

DATE: _____

NOTES: _____

APPROVAL: _____

Interchangeable Apron Color Options

In keeping with our policy of continuing product improvement, Elkay reserves the right to change product specifications without notice. Please visit elkay.com for the most current version of Elkay product specification sheets. This specification describes an Elkay product with design, quality, and functional benefits to the user. When making a comparison of other producers' offerings, be certain these features are not overlooked.

(sold separately)

Stainless Steel:



Champagne
CTXACP
(CP) Graphite
CTXAGT
(GT) Platinum
CTXAPL
(PL)



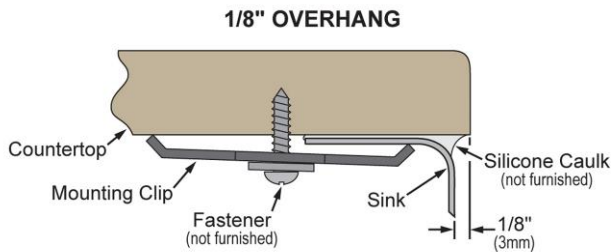
Sapphire
CTXASP
(SP) Scarlet
CTXASC
(SC) Sunset
CTXASN
(SN)

Fireclay:



Glacier
CTXAFCGL
(GL)

Installation Profile:




Designed to affix to the underside of any solid surface countertop.

Optional Accessories

CTXFBG1316	Elkay Crosstown Stainless Steel 13-1/8" x 16-1/8" x 1-1/4" Bottom Grid Spec Sheet (PDF)	
CTXFBG1816	Elkay Crosstown Stainless Steel 18-1/8" x 16-1/8" x 1-1/4" Bottom Grid Spec Sheet (PDF)	
LK35	Elkay 3-1/2" Drain Fitting Type 304 Stainless Steel Body, Strainer Basket and Tailpiece Spec Sheet (PDF)	
LK99S	Elkay Deluxe 3-1/2" Drain with Satin Finish Type 304, Stainless Steel Body Strainer Basket Rubber Seal and Tailpiece Spec Sheet (PDF)	

In keeping with our policy of continuing product improvement, Elkay reserves the right to change product specifications without notice. Please visit elkay.com for the most current version of Elkay product specification sheets. This specification describes an Elkay product with design, quality, and functional benefits to the user. When making a comparison of other producers' offerings, be certain these features are not overlooked.

LKDD	Elkay 3-1/2" Drain Fitting, Deep Strainer Basket Spec Sheet (PDF)	
----------------------	--------------------------------------------------------------------------------------	-------------------------------------------------------------------------------------

In keeping with our policy of continuing product improvement, Elkay reserves the right to change product specifications without notice. Please visit elkay.com for the most current version of Elkay product specification sheets. This specification describes an Elkay product with design, quality, and functional benefits to the user. When making a comparison of other producers' offerings, be certain these features are not overlooked.