

PRODUCT SPECIFICATIONS

Elkay Column Tap Water Dispenser Stainless Steel.

Material:	Stainless Steel
Dimensions (L x W x H):	5" x 9" x 19"
Approx. Shipping Weight:	11 lbs.
Dispenser Height:	12"
Inlet Water Line:	3/8" quick connect

Special Note: For use with Carbonation Chiller, DSFBF180K, under-the-counter chilling unit.

- Drip tray included: no drain line required.
- Two 316 stainless steel taps.
- Polished chrome plated brass body.
- All stainless steel water path.
- Adjustable flow control located on tap.

INSTALLATION KIT

- Installation and Operating instructions
- CO₂ Regulator
- Water Pressure Regulator
- Elkay WaterSentry® Filter and Mounting Bracket
- Additional tubing for connection to water and CO₂
- Requires fittings for connection to water supply
- Mounting Nut
- Tubing fittings 3/8" X 3/8" push to connect, qty. (2)



A Century of Tradition and Quality.

For more than 100 years, Elkay has been making innovative products and providing exceptional customer care. We take pride in offering plumbing products that make life easier, inspire change and leave the world a better place.

Included with Product: Installation Kit

▼ Ships in multiple boxes.

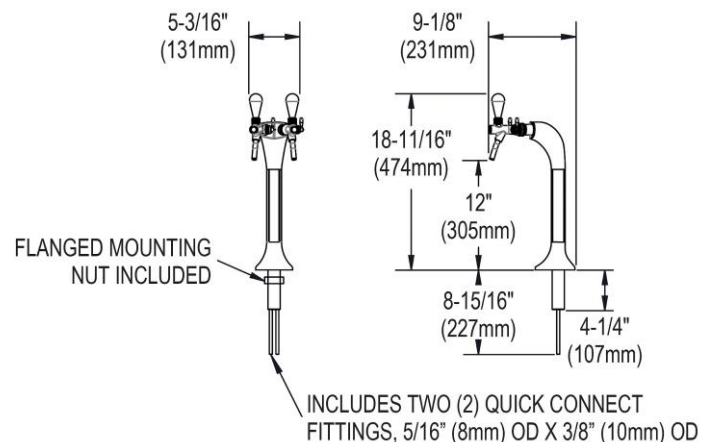
PRODUCT COMPLIANCE

NSF/ANSI 18 & 372 (lead free)



[Installation Instructions \(PDF\) - 100002475](#)

[Warranty \(PDF\)](#)



PART: _____ QTY: _____

PROJECT: _____



CONTACT: _____

DATE: _____

NOTES: _____

APPROVAL: _____

In keeping with our policy of continuing product improvement, Elkay reserves the right to change product specifications without notice. Please visit elkay.com for the most current version of Elkay product specification sheets. This specification describes an Elkay product with design, quality, and functional benefits to the user. When making a comparison of other producers' offerings, be certain these features are not overlooked.

Optional Accessories		
51300C	Elkay WaterSentry Replacement Filter (Bottle Fillers & Liv Pro) Spec Sheet (PDF)	
DSFBF180K	Elkay Carbonation Chiller Filtered 20 GPH Spec Sheet (PDF)	

In keeping with our policy of continuing product improvement, Elkay reserves the right to change product specifications without notice. Please visit elkay.com for the most current version of Elkay product specification sheets. This specification describes an Elkay product with design, quality, and functional benefits to the user. When making a comparison of other producers' offerings, be certain these features are not overlooked.