

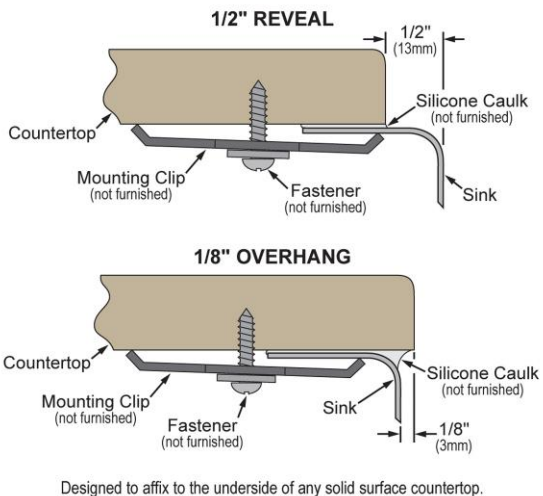
PRODUCT SPECIFICATIONS

Elkay Lustertone™ Classic Stainless Steel 23-5/8" x 21-1/4" x 10"
Single Bowl Undermount Sink Kit. Sink is manufactured from 18 gauge
304 Stainless Steel with a Lustrous Satin finish, Rear Center drain
placement, and Sides and Bottom pads.

| | |
|------------------------------|-------------------------------------|
| Installation Type: | Sink Kits, Undermount |
| Material: | 304 Stainless Steel |
| Finish: | Lustrous Satin |
| Gauge: | 18 |
| Sound Deadening: | Sides and Bottom pads |
| Number of Bowls: | 1 |
| Sink Dimensions: | 23-5/8" x 21-1/4" x 10" |
| Bowl 1 Dimensions: | 21" x 18-5/8" x 10" |
| Drain Size: | 3-1/2" (89mm) |
| Drain Location: | Rear Center |
| Minimum Cabinet Size: | 27" |
| Mounting Hardware: | Undermount brackets sold separately |
| Template Included: | Yes |
| Cutout Template #: | 100000588 |

Template is available for download at elkay.com. CAD software will be required to open the template.

Installation Profile:



Designed to affix to the underside of any solid surface countertop.



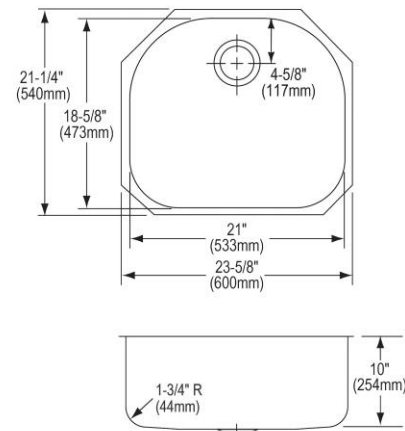
Included with Product: LKWOBG2118SS bottom grid, LK99 drain

A Century of Tradition and Quality. For more than 100 years, Elkay has been making innovative products and providing exceptional customer care. We take pride in offering plumbing products that make life easier, inspire change and leave the world a better place.



Product Compliance: ASME A112.19.3/CSA B45.4
Accessory: ASME A112.18.2/CSA B125.2



[Clean and Care Manual \(PDF\)](#)
[Installation Instructions \(PDF\) - 100005239](#)
[Installation Instructions \(PDF\) - 100005235_drain](#)
[Warranty \(PDF\)](#)





PART: _____ QTY: _____
PROJECT: _____
CONTACT: _____
DATE: _____
NOTES: _____
APPROVAL: _____

Included Accessories

In keeping with our policy of continuing product improvement, Elkay reserves the right to change product specifications without notice. Please visit elkay.com for the most current version of Elkay product specification sheets. This specification describes an Elkay product with design, quality, and functional benefits to the user. When making a comparison of other producers' offerings, be certain these features are not overlooked.

| | | |
|------------------------------|--|---|
| LK99 | <p>Elkay Deluxe 3-1/2" Drain Type 304 Stainless Steel Body Strainer Basket Rubber Seal and Tailpiece</p> <p>Spec Sheet (PDF)</p> |  |
| LKWOBG2118SS | <p>Elkay Stainless Steel 18-3/4" x 16-5/8" x 1" Bottom Grid</p> <p>Spec Sheet (PDF)</p> |  |

| Optional Accessories | | |
|--------------------------|---|---|
| CB2213 | <p>Elkay Hardwood 21-13/16" x 19-1/4" x 3/4" Cutting Board</p> <p>Spec Sheet (PDF)</p> |  |
| LKWERBSS | <p>Elkay Stainless Steel 15-3/8" x 12-3/8" x 5-7/16" Rinsing Basket</p> <p>Spec Sheet (PDF)</p> |  |

In keeping with our policy of continuing product improvement, Elkay reserves the right to change product specifications without notice. Please visit elkay.com for the most current version of Elkay product specification sheets. This specification describes an Elkay product with design, quality, and functional benefits to the user. When making a comparison of other producers' offerings, be certain these features are not overlooked.