

PRODUCT SPECIFICATIONS

Elkay 3-1/2" Drain Fitting Deep Strainer Basket. Overall dimensions are 4-1/2" x 4-1/2" x 5-1/2". Made of Stainless Steel.

Material:	Stainless Steel
Finish:	Brushed
Dimensions:	4-1/2" x 4-1/2" x 5-1/2"
Shipping Weight:	1 lbs.

- Designed to fit 3-1/2" (89mm) drain opening with an overall flange size of 4-1/2" (114mm).
- BRUSHED FINISH: Brushed stainless steel makes for an eye-catching, textured finish that coordinates well with most sinks.
- EXTRA DEEP STRAINER BASKET: Removable basket is 2-1/4" deep to catch food scraps. Handle allows for easy removal and minimizes contact with scraps.
- DRAIN COVER: Durable stainless steel cover fits securely into drain opening to fill sink with water for soaking dishes and cleaning household items.

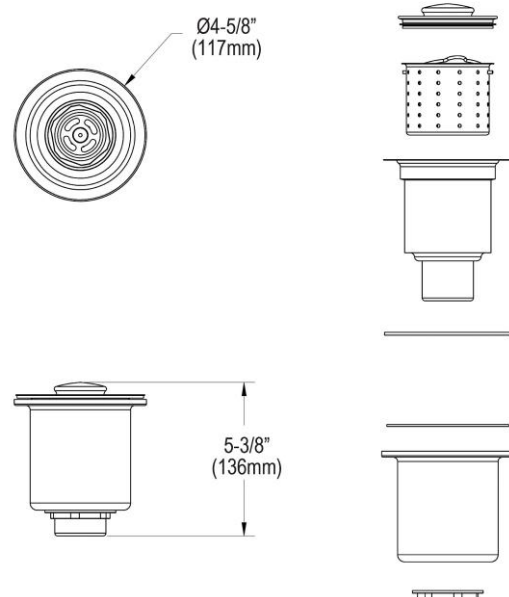


AMERICAN PRIDE. A LIFETIME TRADITION.
Like your family, the Elkay family has values and traditions that endure. For almost a century, Elkay has been a family-owned and operated company, providing thousands of jobs that support our families and communities.

Product Compliance: ASME A112.18.2/CSA B125.2



[Clean and Care Manual \(PDF\)](#)
[Installation Instructions \(PDF\) - 100005235](#)



PART: _____ QTY: _____

PROJECT: _____

CONTACT: _____

DATE: _____

NOTES: _____

APPROVAL: _____

In keeping with our policy of continuing product improvement, Elkay reserves the right to change product specifications without notice. Please visit elkay.com for the most current version of Elkay product specification sheets. This specification describes an Elkay product with design, quality, and functional benefits to the user. When making a comparison of other producers' offerings, be certain these features are not overlooked.