

**PRODUCT SPECIFICATIONS**

Elkay Perfect Drain Chrome Plated Brass Body Vandal-resistant Strainer. Overall dimensions are 4-3/16" x 4-3/16" x 7-1/2". Made of Chrome-plated Brass.

<b>Material:</b>	Chrome-plated Brass
<b>Finish:</b>	Chrome (CR)
<b>Dimensions:</b>	4-3/16" x 4-3/16" x 7-1/2"
<b>Shipping Weight:</b>	3 lbs.

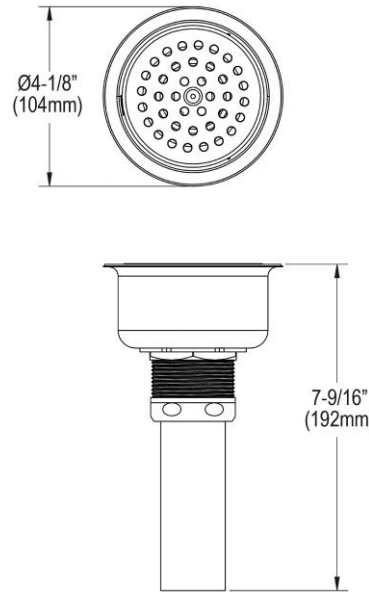
- EXTRA DEEP STRAINER BASKET: Removable basket is 3" deep to catch food scraps. Handle allows for easy removal and minimizes contact with scraps.
- 1-1/2" O.D. x 4" tailpiece.



AMERICAN PRIDE. A LIFETIME TRADITION. Like your family, the Elkay family has values and traditions that endure. For almost a century, Elkay has been a family-owned and operated company, providing thousands of jobs that support our families and communities.

**Product Compliance:** ASME A112.18.2/CSA B125.2

- [Clean and Care Manual \(PDF\)](#)
- [Installation Instructions \(PDF\) - 74180147](#)
- [Installation Instructions \(PDF\) -](#)
- [Garbage Disposer Compatibility Guide](#)



PART: \_\_\_\_\_ QTY: \_\_\_\_\_  
 PROJECT: \_\_\_\_\_  
 CONTACT: \_\_\_\_\_  
 DATE: \_\_\_\_\_  
 NOTES: \_\_\_\_\_  
 APPROVAL: \_\_\_\_\_

*In keeping with our policy of continuing product improvement, Elkay reserves the right to change product specifications without notice. Please visit [elkay.com](http://elkay.com) for the most current version of Elkay product specification sheets. This specification describes an Elkay product with design, quality, and functional benefits to the user. When making a comparison of other producers' offerings, be certain these features are not overlooked.*