

# SPECIFICATIONS

## PRODUCT SPECIFICATIONS

Accessory - Wall Bezel Black. Overall dimensions are 32-1/4" x 1/4" x 21".

<b>Mounting Type:</b>	Wall Mount (On Wall)
<b>Finish:</b>	Black (BK)
<b>Dimensions:</b>	32-1/4" x 1/4" x 21"
<b>Shipping Weight:</b>	4 lbs.

- 32.25" high X 21" wide.
- Covers wall surface imperfections.
- For use with EZ, LZ, EMABF, LMABF or (L)VRC models.



**Included with Product: Wall Bezel**

AMERICAN PRIDE. A LIFETIME TRADITION.  
 Like your family, the Elkay family has values and traditions that endure. For almost a century, Elkay has been a family-owned and operated company, providing thousands of jobs that support our families and communities.



[Installation Instructions \(PDF\)](#)

PART: \_\_\_\_\_ QTY: \_\_\_\_\_

PROJECT: \_\_\_\_\_

CONTACT: \_\_\_\_\_

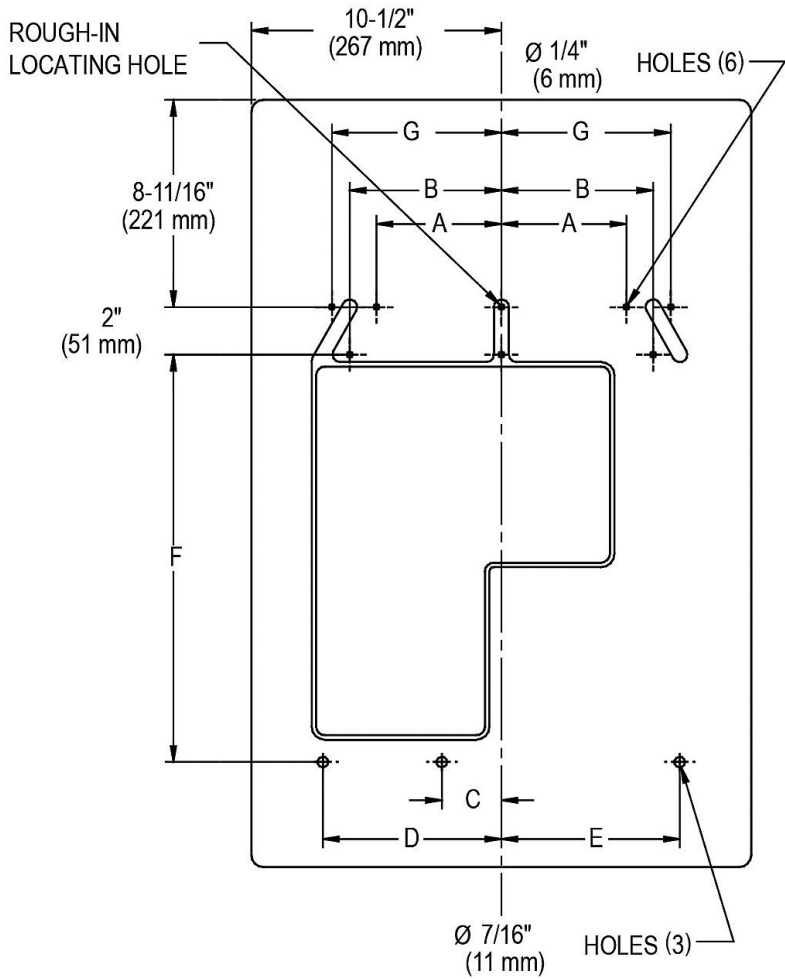
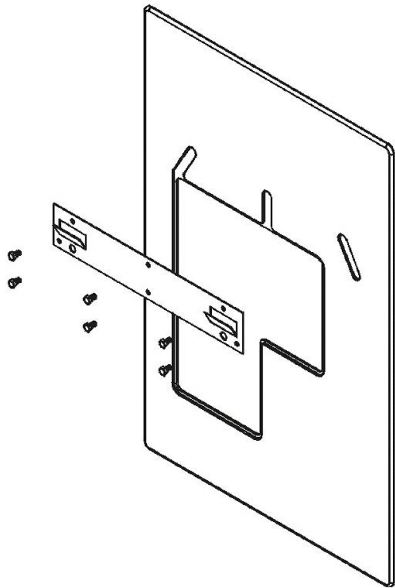
DATE: \_\_\_\_\_

NOTES: \_\_\_\_\_

APPROVAL: \_\_\_\_\_

*In keeping with our policy of continuing product improvement, Elkay reserves the right to change product specifications without notice. Please visit [elkay.com](http://elkay.com) for the most current version of Elkay product specification sheets. This specification describes an Elkay product with design, quality, and functional benefits to the user. When making a comparison of other producers' offerings, be certain these features are not overlooked.*

**SPECIFICATIONS**



DIMENSION CHART		
DIM	EMABF / VRC	EZ
A	5 3/4" (146mm)	6 3/8" (162mm)
B	N/A	6 3/8" (162mm)
C	2 7/16" (62mm)	ON CENTER LINE
D	7 7/16" (189mm)	7" (178mm)
E	7 9/16" (192mm)	7" (178mm)
F	17 1/8" (435mm)	14 7/8" (378mm)
G	7 1/8" (181mm)	N/A

*In keeping with our policy of continuing product improvement, Elkay reserves the right to change product specifications without notice. Please visit [elkay.com](http://elkay.com) for the most current version of Elkay product specification sheets. This specification describes an Elkay product with design, quality, and functional benefits to the user. When making a comparison of other producers' offerings, be certain these features are not overlooked.*