

PRODUCT SPECIFICATIONS

Elkay Fireclay 30" x 19-15/16" x 9-1/8", Single Bowl Farmhouse Sink Kit. Sink is molded from fine fireclay with a durable porcelain glaze providing a finish that is non-porous and resists staining. Naturally sound deadening and Center drain placement.

Installation Type:	Farmhouse, Sink Kits
Material:	Fireclay
Finish:	Matte Gray (MG), White (WH)
Number of Bowls:	1
Sink Dimensions:	30" x 19-15/16" x 10-1/16"
Bowl 1 Dimensions:	28-1/2" x 18-5/16" x 9-1/8"
Drain Size:	3-1/2" (89mm)
Drain Location:	Center
Minimum Cabinet Size:	33"
Mounting Hardware:	No
Template Included:	No



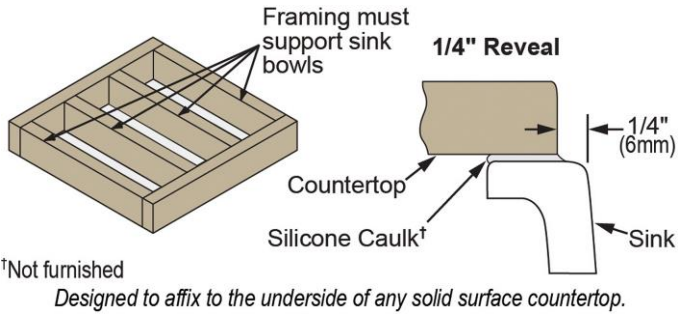
Included with Product: LKBG2616SS Bottom Grid,
LK99FC Drain,
LKCLKIT Cleaning Kit

AMERICAN PRIDE. A LIFETIME TRADITION.
Like your family, the Elkay family has values and traditions that endure. For almost a century, Elkay has been a family-owned and operated company, providing thousands of jobs that support our families and communities.

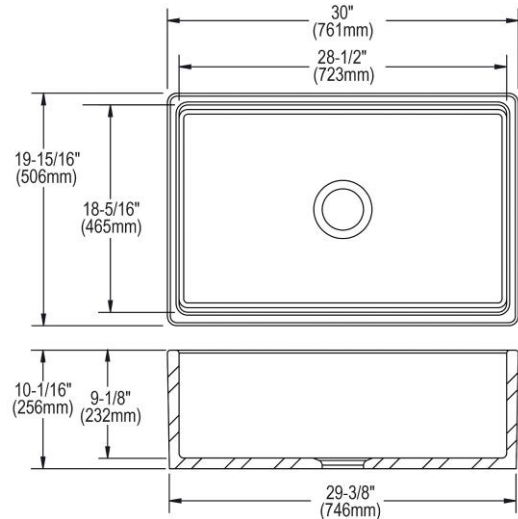
Product Compliance: ASME A112.19.2/CSA B45.1
Accessory: ASME A112.18.2/CSA B125.2



Installation Profile:



[Clean and Care Manual \(PDF\)](#)
[Installation Instructions \(PDF\) - 100003608](#)
[Warranty \(PDF\)](#)



PART: _____ QTY: _____
 PROJECT: _____
 CONTACT: _____
 DATE: _____
 NOTES: _____
 APPROVAL: _____

In keeping with our policy of continuing product improvement, Elkay reserves the right to change product specifications without notice. Please visit elkay.com for the most current version of Elkay product specification sheets. This specification describes an Elkay product with design, quality, and functional benefits to the user. When making a comparison of other producers' offerings, be certain these features are not overlooked.