

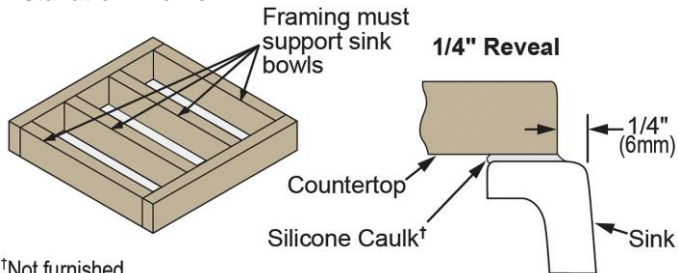
**PRODUCT SPECIFICATIONS**

Elkay Fireclay 30" x 19-15/16" x 9-1/8", Single Bowl Farmhouse Sink Kit with Faucet. Sink is molded from fine fireclay with a durable porcelain glaze providing a finish that is non-porous and resists staining. Naturally sound deadening and Center drain placement.

<b>Installation Type:</b>	Farmhouse, Sink Kits
<b>Material:</b>	Fireclay
<b>Finish:</b>	Matte Gray (MG), White (WH)
<b>Number of Bowls:</b>	1
<b>Sink Dimensions:</b>	30" x 19-15/16" x 10-1/16"
<b>Bowl 1 Dimensions:</b>	28-1/2" x 18-5/16" x 9-1/8"
<b>Drain Size:</b>	3-1/2" (89mm)
<b>Drain Location:</b>	Center
<b>Minimum Cabinet Size:</b>	33"
<b>Mounting Hardware:</b>	No
<b>Template Included:</b>	No



**Installation Profile:**



<sup>†</sup>Not furnished  
Designed to affix to the underside of any solid surface countertop.



**Included with Product:**      **LK6000CR Faucet,**  
**LKBG2616SS Bottom Grid,**  
**LK99FC Drain,**  
**LKCLKIT Cleaning Kit**

A Century of Tradition and Quality.  
 For more than 100 years, Elkay has been making innovative products and providing exceptional customer care. We take pride in offering plumbing products that make life easier, inspire change and leave the world a better place.

**Product Compliance:**      ASME A112.19.2/CSA B45.1  
 Faucet:                              ADA & ICC A117.1  
     ASME A112.18.1/CSA B125.1  
     CEC  
     NSF 372 (lead free)  
     NSF 61  
 Accessory:                         ASME A112.18.2/CSA B125.2

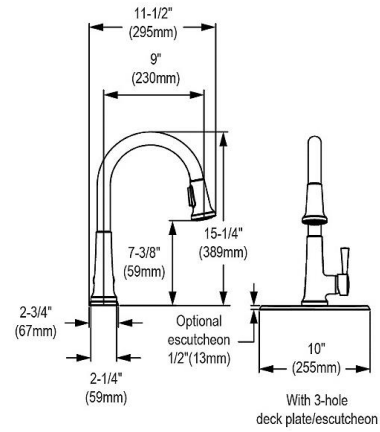
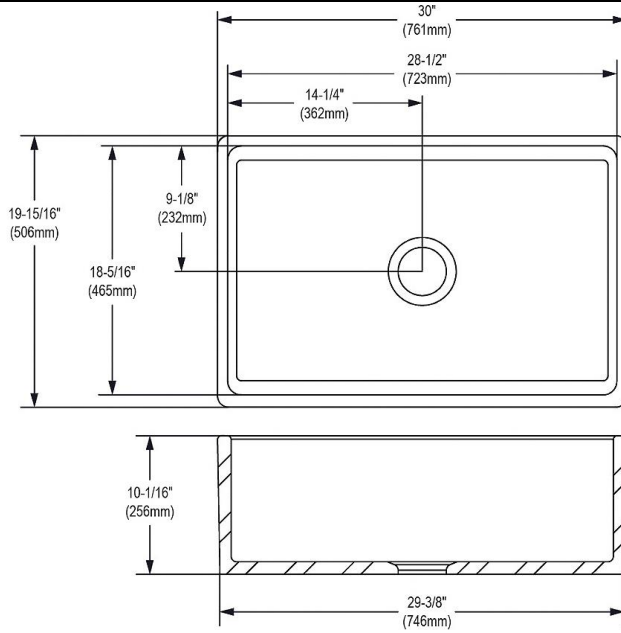


Faucet complies with ADA & ICC A117.1 accessibility requirements when installed according to the requirements outlined in these standards.

[Clean and Care Manual \(PDF\)](#)  
[Installation Instructions \(PDF\) - 100003608](#)  
[Warranty \(PDF\)](#)

PART: \_\_\_\_\_ QTY: \_\_\_\_\_  
 PROJECT: \_\_\_\_\_  
 CONTACT: \_\_\_\_\_  
 DATE: \_\_\_\_\_  
 NOTES: \_\_\_\_\_  
 APPROVAL: \_\_\_\_\_

*In keeping with our policy of continuing product improvement, Elkay reserves the right to change product specifications without notice. Please visit [elkay.com](http://elkay.com) for the most current version of Elkay product specification sheets. This specification describes an Elkay product with design, quality, and functional benefits to the user. When making a comparison of other producers' offerings, be certain these features are not overlooked.*



*In keeping with our policy of continuing product improvement, Elkay reserves the right to change product specifications without notice. Please visit [elkay.com](http://elkay.com) for the most current version of Elkay product specification sheets. This specification describes an Elkay product with design, quality, and functional benefits to the user. When making a comparison of other producers' offerings, be certain these features are not overlooked.*