

# ELKAY®

## SPECIFICATIONS

### FEATURES

- Removable ceramic disc cartridge
- Three 1 3/8" (35mm) diameter faucet holes required for LK1000, Four 1 3/8" diameter faucet holes required for LK1001
- 1.5GPM flow regulator installed
  - Optional 2.2GPM flow regulator also included with the faucet
- 3/8" diameter copper tube supply lines with 1/2" male IPS adaptors
- 360° spout rotation
- Max countertop thickness: 2.5" (63mm)
- Quick connect side spray fittings for fast installation
- Available finishes:
  - Chrome LK1000CR
  - LK1001CR
- Ship weight: LK1000 - 2.3 lbs (1.1 kg)
- LK1001 - 2.8 lbs (1.3 kg)

### WARRANTY

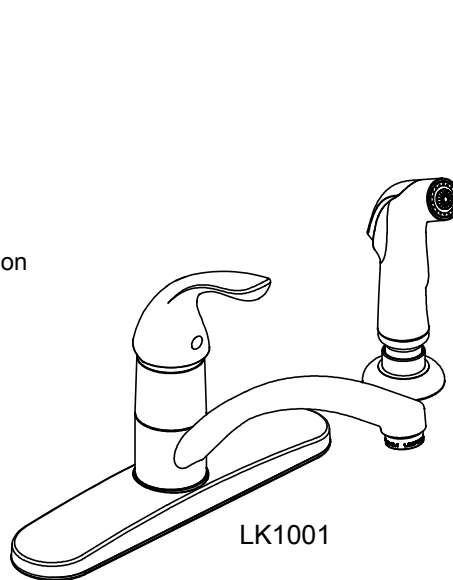
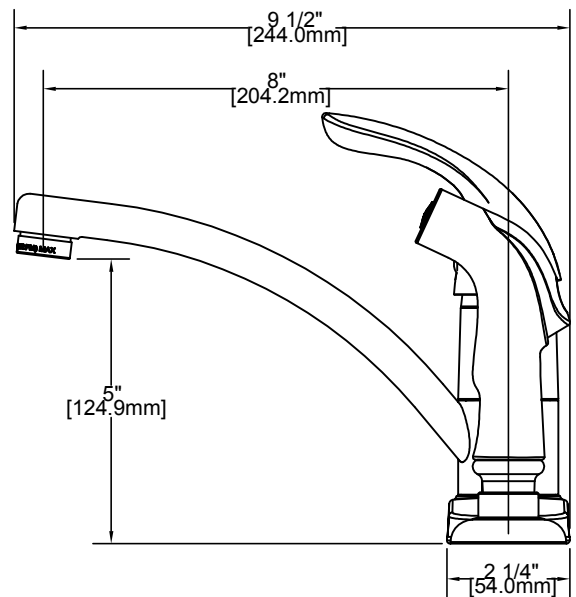
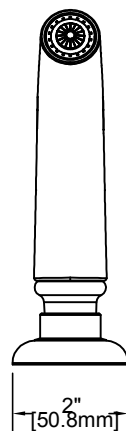
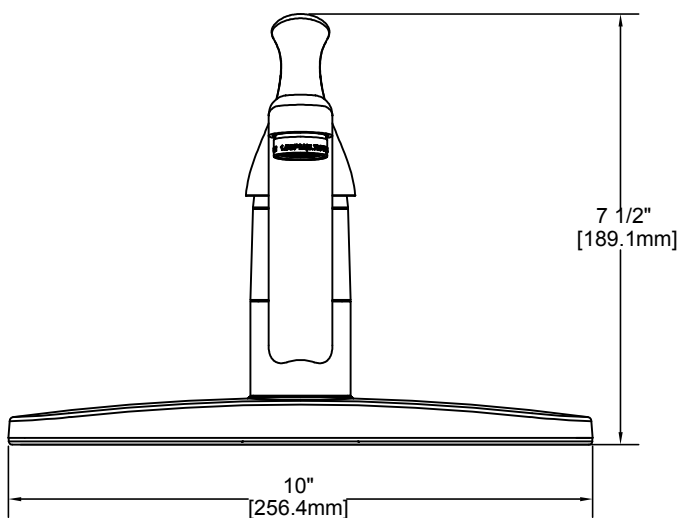
- Limited Lifetime

### ACCESSORIES (Sold Separately):

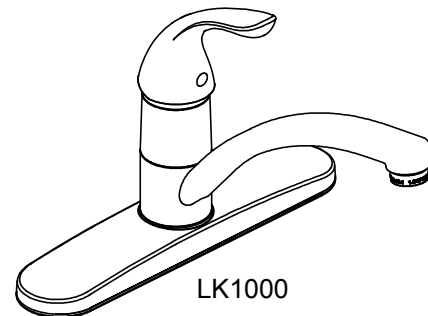
- LK105 - Air gap
- LK3712 - Swivel Aerator
- A55061 - Vandal Resistant Aerator

### COMPLIES WITH:

- ADA
- cUPC
- ANSI/NSF61
- CA AB1953
- ASME A112.18.1/CSA B125.1



LK1001



LK1000