

### FEATURES

#### Model LK535GN05L2

- One hole single handle top mount faucet
- Quarter turn ceramic disc cartridge
- Solid brass construction
- Chrome finish
- 2.2 GPM VR aerator with 1.5 and .5 GPM inserts
- Includes spout swing restriction pin

#### Model LK535GN05T4

- Same as LK535GN05L2 except with 4" wrist blades handles

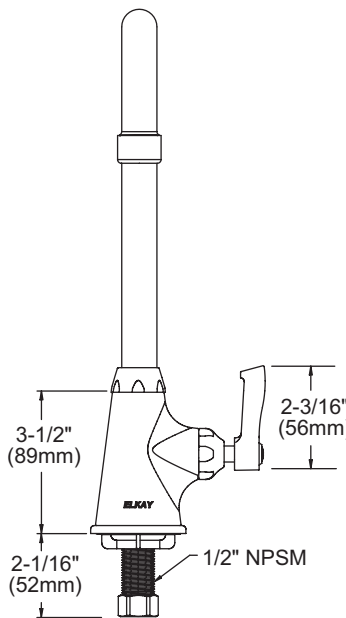
#### Model LK535GN05T6

- Same as LK535GN05L2 except with 6" wrist blades handles

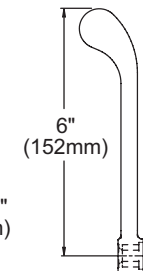
### COMPLIES WITH:

- ASME/ANSI A112.18.1
- CSA B125-01
- NSF/ANSI 61 Annex G
- ADA
- UPC/CUPC
- IAPMO Listed
- Certified AB1953

## Concealed Deck Classroom Faucet Models LK535GN05L2, LK535GN05T4, LK535GN05T6



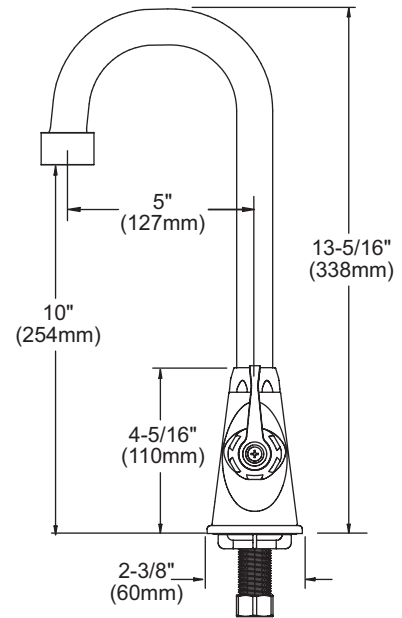
Model LK535GN05L2  
FRONT VIEW



Model LK535GN05T6



Model LK535GN05T4



SIDE VIEW

Job Name:

Item #:

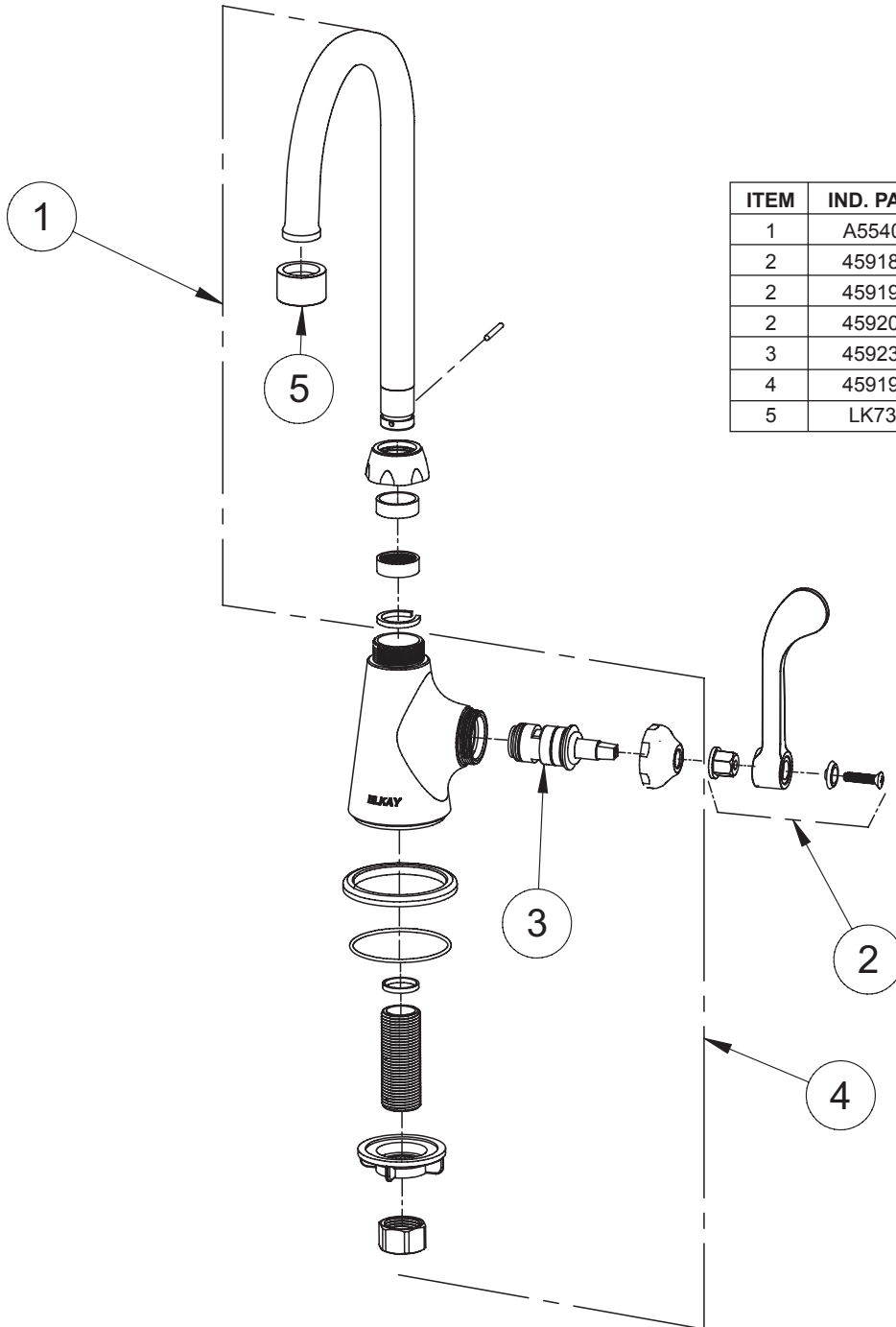
Notes:

Architect/Engineer Approval:

Date:

SEE OTHER SIDE FOR REPLACEMENT PARTS

**Concealed Deck Classroom Faucet  
Models LK535GN05L2, LK535GN05T4, LK535GN05T6**



ITEM	IND. PART	DESCRIPTION
1	A55401	Spout
2	45918C	Handle, 2"
2	45919C	Handle, 4"
2	45920C	Handle, 6"
3	45923C	Right Cold Cartridge
4	45919C	Body
5	LK734	2.2 GPM VR Aerator